

# VITO 30

## Spec sheet

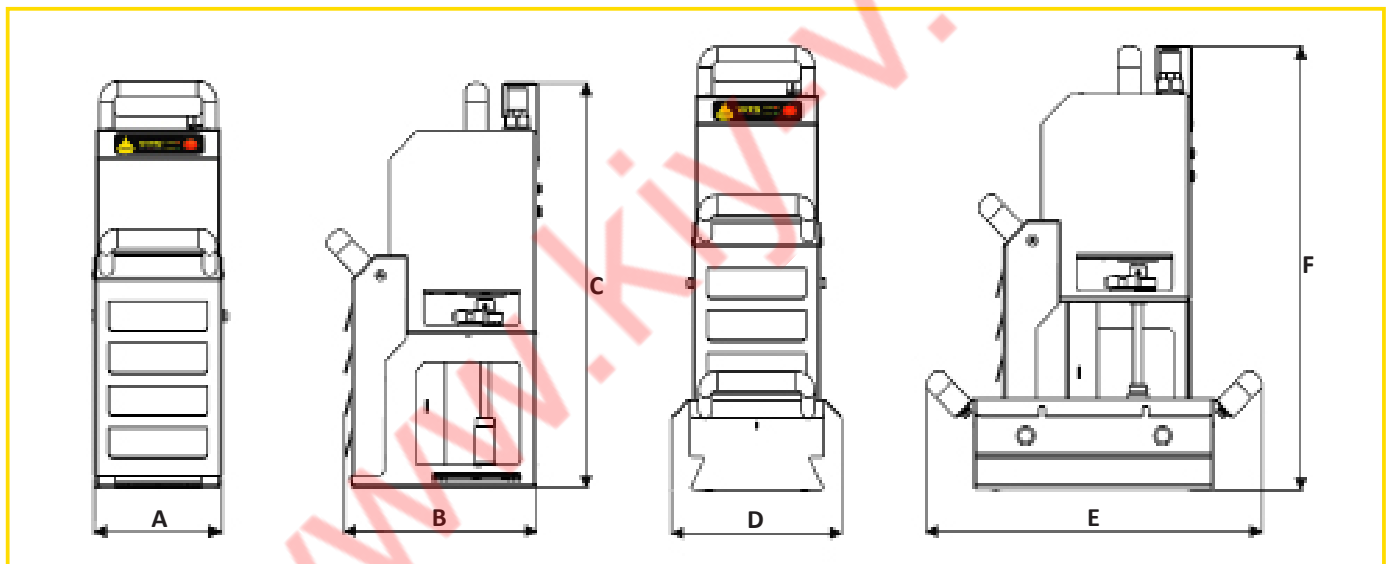


### Functionality:

VITO 30 cleans your oil in an easy and hygienic way. It is placed in the hot oil and filters the oil from suspended particles and bitter substances without supervision. After the set time (standard 4,5 min) VITO stops automatically and your oil is ready to be used.

### Features:

- ♣ For 1-3 deep fryers up to 12 l
- ♣ Operating temperature up to 200 °C
- ♣ Pressure flow filtration
- ♣ Automatic filtration - VITO stops after set filtration time
- ♣ Automatic safety off - VITO has integrated heat protection
- ♣ Up to 3 filtration cycles in a row to filter multiple fryers
- ♣ VITO made out of stainless steel (1.4301) and other food safe materials
- ♣ Pump-filter unit and drip pan can be cleaned in dishwasher
- ♣ Visual signals



### VITO 30 technical Data:

	Width A	Depth B	Height C			Width D	Depth E	Height F
	116 mm	176 mm	356 mm			155 mm	304 mm	387 mm
Filtration power	Filtration efficiency	Particle capacity	Work cycle	Suction depth	Max. power	Power connection	Fuse inside	Protection
up to 30 l/min	5 µm effective/ 20 µm nominal	0,8 kg*	4,5 min (adjustable)	~20 cm	300 W	220 - 240 V, single phase	4 AT	Protection Earth (PE)
Total weight	Weight	Temperature	Material					
7,7 kg (with drip pan)	6,3 kg (without drip pan)	max. 200 °C	Stainless steel 1.4301					

\*regular bread crumbs

### Accessories:

- ♣ Data reader for usage control
- ♣ Brackets to accomodate all fryer types
- ♣ Particle filters

V 4.4

**VITO AG**  
P: +49 7461 96289-0  
info@vito.ag  
www.vito.ag

