



SENIOR SERIES

DMX 300

Ref : MX006



DESCRIPTION

- Powerful, sturdy.
- Very handy.
- Detachable tool for easy cleaning and maintenance.
- Variable speed as standard.
- Safety button.
- Double insulation.
- Stainless steel mixer tube and guard for easy cleaning and perfect hygiene.
- Titanium-plated blade easily dismantled without any special tool.

USE

It allows to mix, directly in the pots, many applications including: fish soups, panades (thick soup reduced to puree), salad dressings, pancakes paste, gravies, sauces, mayonnaise, puree of vegetables lightly pulverized, porridge, raw carrots puree, fruits cream ...

Capacity : 20 to 40 Liters

MAINTENANCE

Clean the outside of the tube and the blade protector by passing it under the faucet.

Wash the motor block with a sponge or with a slightly damp cloth.

Put the tube with the blade protector in clear water and start the machine for 3 seconds or more to clean the inside of the blade protector.

Never clean this machine with water jet spray or in the dishwasher.



TECHNICAL DATA

OUTPUT MAX	350 W
SPEED	2800 to 9000 R.P.M.
VOLTAGE	110 - 120 V or 220 - 240 V
TOTAL LENGTH	640 mm
SHAFT LENGTH	300 mm
DIAMETER	97 mm
ACTUAL WEIGHT	3,7 kg

www.dynamicmixers.com

Dynamic - 518 rue Léo Baekeland BP57 - 85290 Mortagne sur Sèvre

Tél : +33 (0)2 51 63 02 72 • E-mail : contact@dynamicmixers.com

Follow us on social networks !



ACCESSORIES



CAPACITY	20 to 40 Liters
SHAFT LENGTH AC006	300 mm
SHAFT LENGTH AC016	400 mm
SPEED R.P.M.	2 800 / 9 500

CAPACITY	5 to 20 Liters
WHISKS LENGTH	205 mm
SPEED R.P.M.	300 / 900

CAPACITY	10 to 15 kg
SHAFT LENGTH	420 mm
SPEED R.P.M.	100 / 600

CAPACITY	5 Liters
HEIGHT	600 mm
SPEED R.P.M.	400 / 1 500

STANDARD MOTOR BLOCK



Ref. : **AC005**

Mixer tools



M300

Ref. : **AC006**



M400

Ref. : **AC016**

Extractable whisks



Ref. : **AC007**

Ricer tool



Ref. : **AC004**

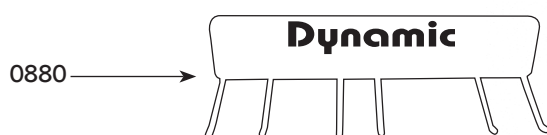
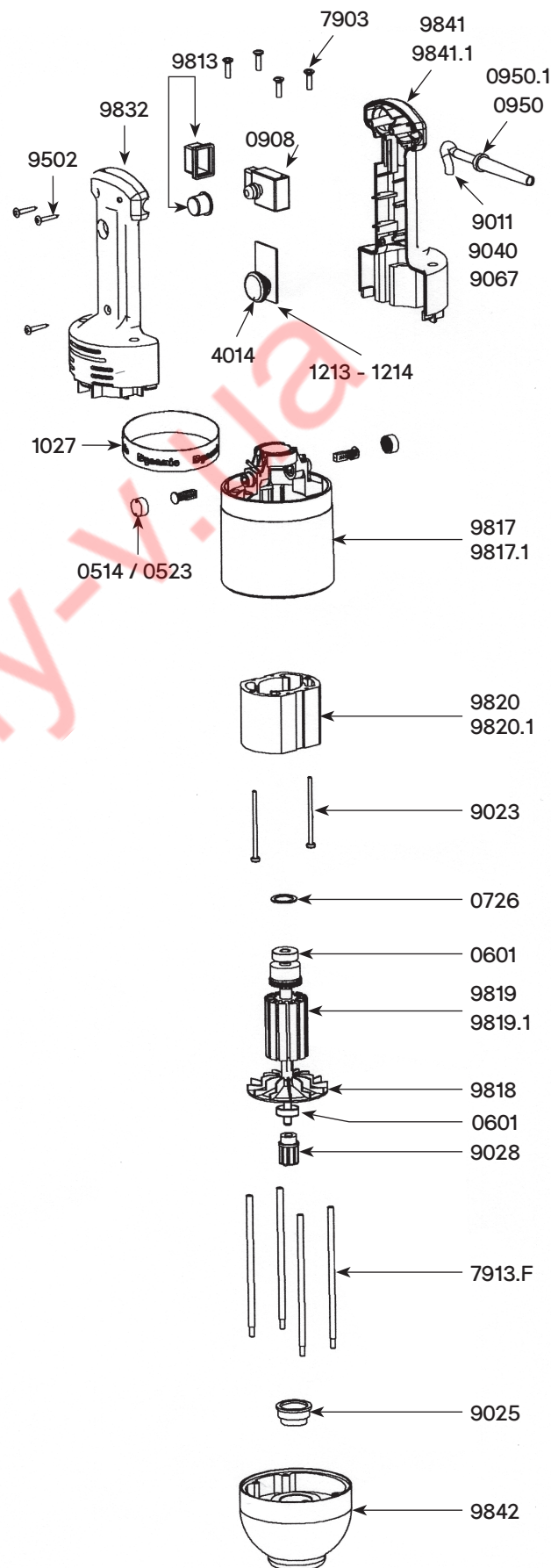
Cutter bowl with a selection of knives (standard or serrated)

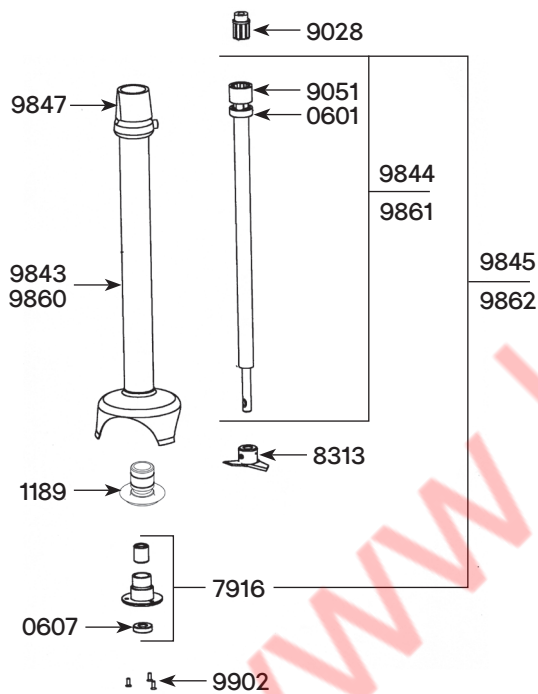


Ref. : **AC055**

TECHNICAL SHEET

Parts list	Code
Carbon brushes (2) (230V)	0514
Carbon brushes (2) (115V) (from N°130425)	0523
Ball bearing	0601
Squeezing washer	0726
Wall bracket	0880
Non-locking switch	0908
Capacitor	0972.1
Strain relief 230 V	0950
Strain relief 115V	0950.1
Warning label	1083
Dynamic label	1027
Label w/ serial number 230 V	1071
Label w/ serial number 115 V	1072
Variable speed control board 230 V	1213
Variable speed control board 115 V	1214
Variable speed control knob	4014
Brace screws (4)	7903
Braces (4)	7913.F
Power cord 230 V	9011
Stator screws (2)	9023
Self-lubricating ring	9025
Coupler for armature	9028
Power cord 115 V	9040
Power cord (UK)	9067
Handle screws (3)	9502
Switch protector	9813
Upper motor casing (230V)	9817
Upper motor casing (115V) (from N°130425)	9817.1
Fan	9818
Rotor w/ o coupling 230 V	9819
Rotor w/o coupling 115 V	9819.1
Stator 230 V w/ carter, carbon brushes holders	9820
Stator 115 V w/ carter, carbon brushes holders	9820.1
Upper half handle	9832
Complete handle 230 V	9840
Complete handle 115 V	9840.1
Lower half handle w/ label 230 V	9841
Lower half handle w/ label 115 V	9841.1
Aluminium carter + ball bearing	9842





M300 SENIOR - Ref AC006
(Complete attachment)

Parts list

Code

Parts list	Code
Ball bearing	0601
Waterproof seal	0607
Bearing holder + seal	1189
Lower ball bearing assembly (w/ o screws)	7916
Cutter blade (w/ screw)	8313
Coupler for armature	9028
Coupling casing + pins	9051
Tube assembly + bearing	9843
Shaft & coupling sleeve	9844
Shaft, lower bearing & cutter assembly	9845
Black tip	9847
Lower bearing screws - Stainless steel (3)	9902