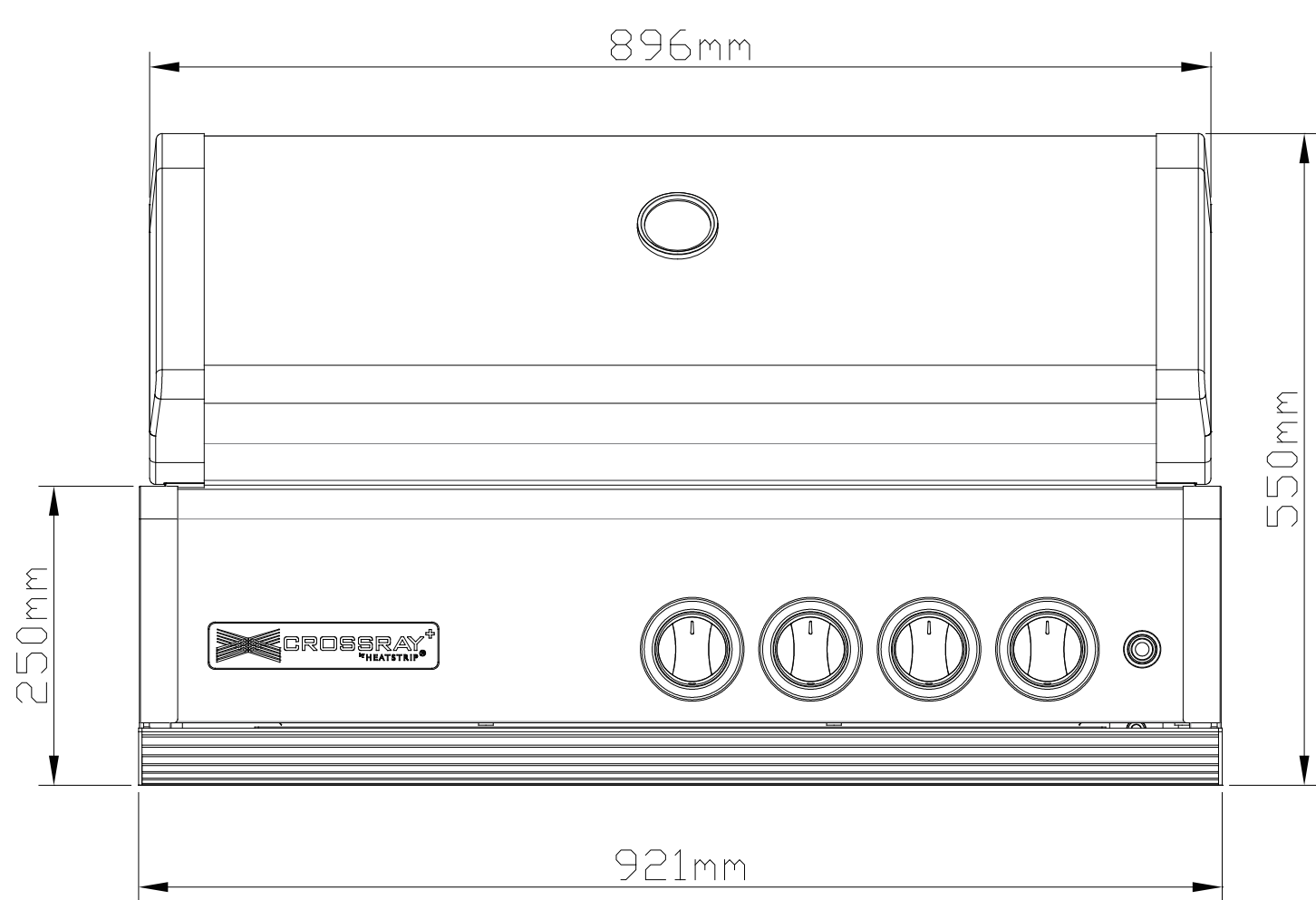


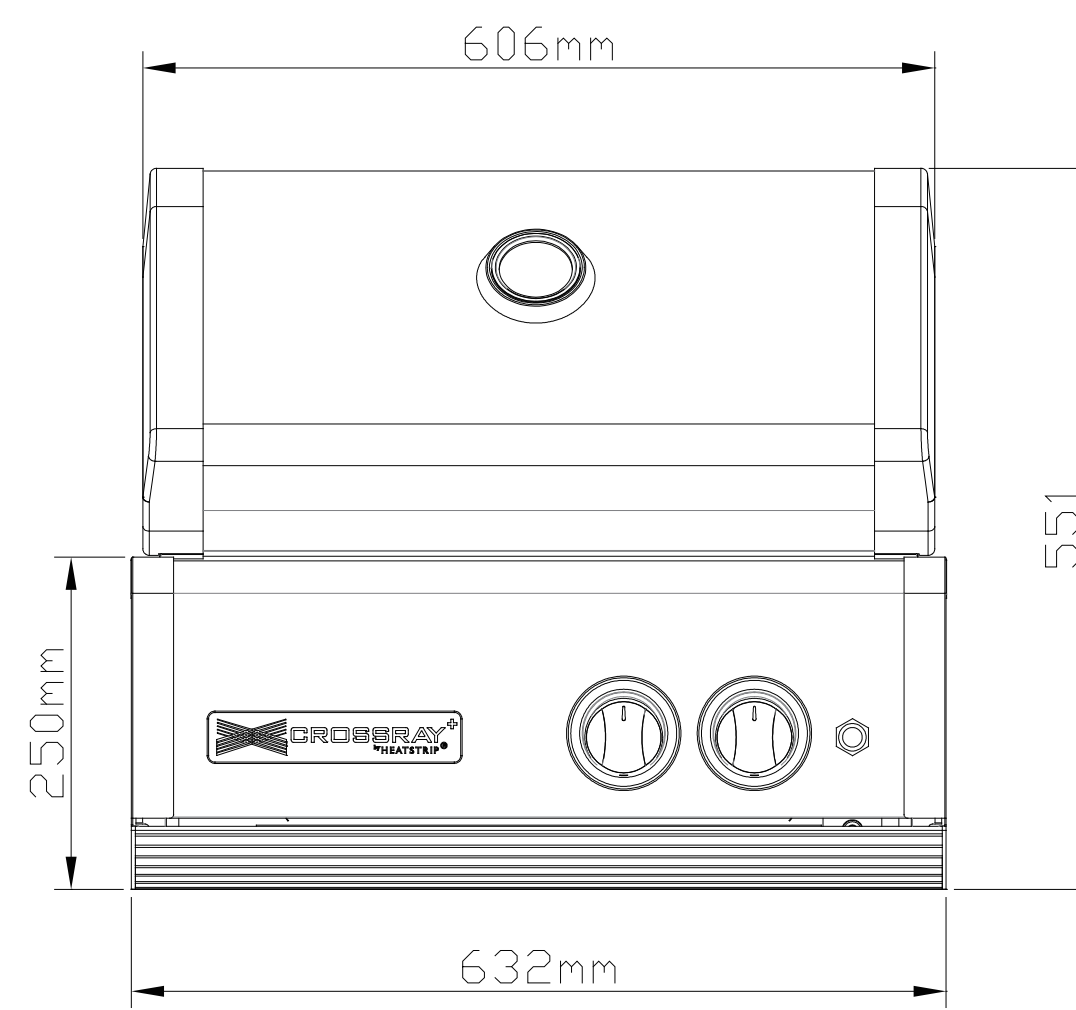
In-Built BBQ Specifications - when using a LPG bottle



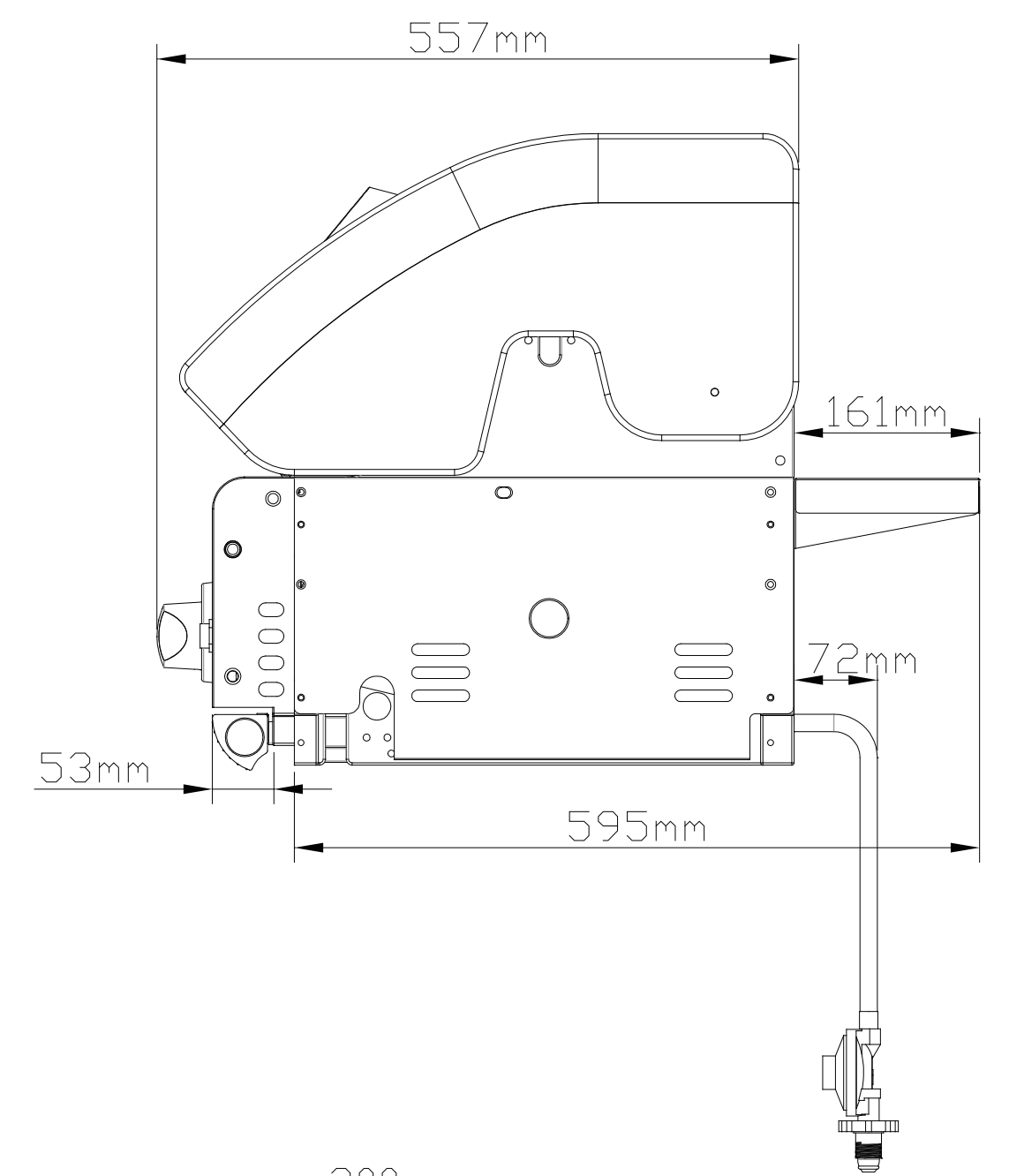
BBQ Dimensions



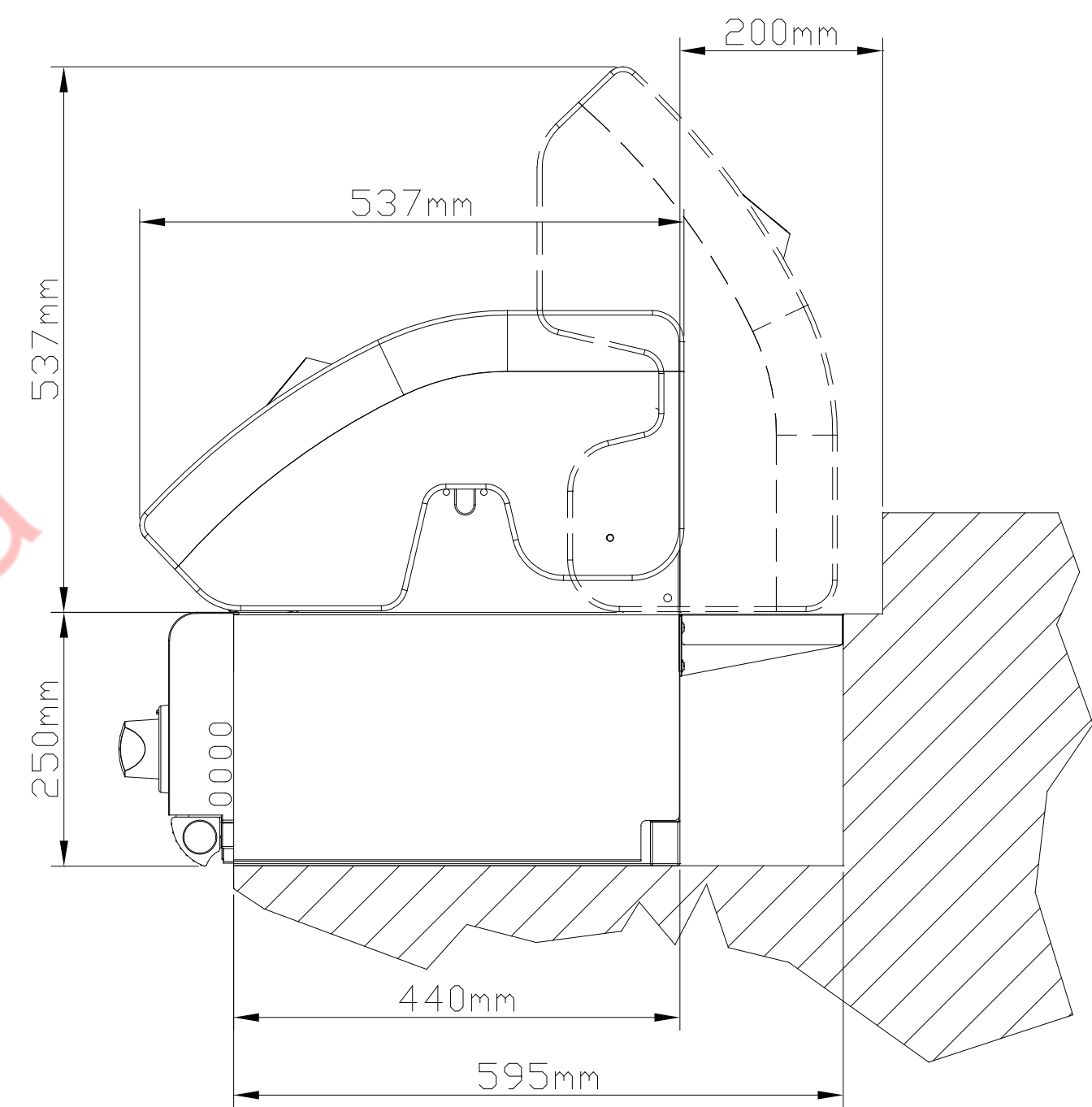
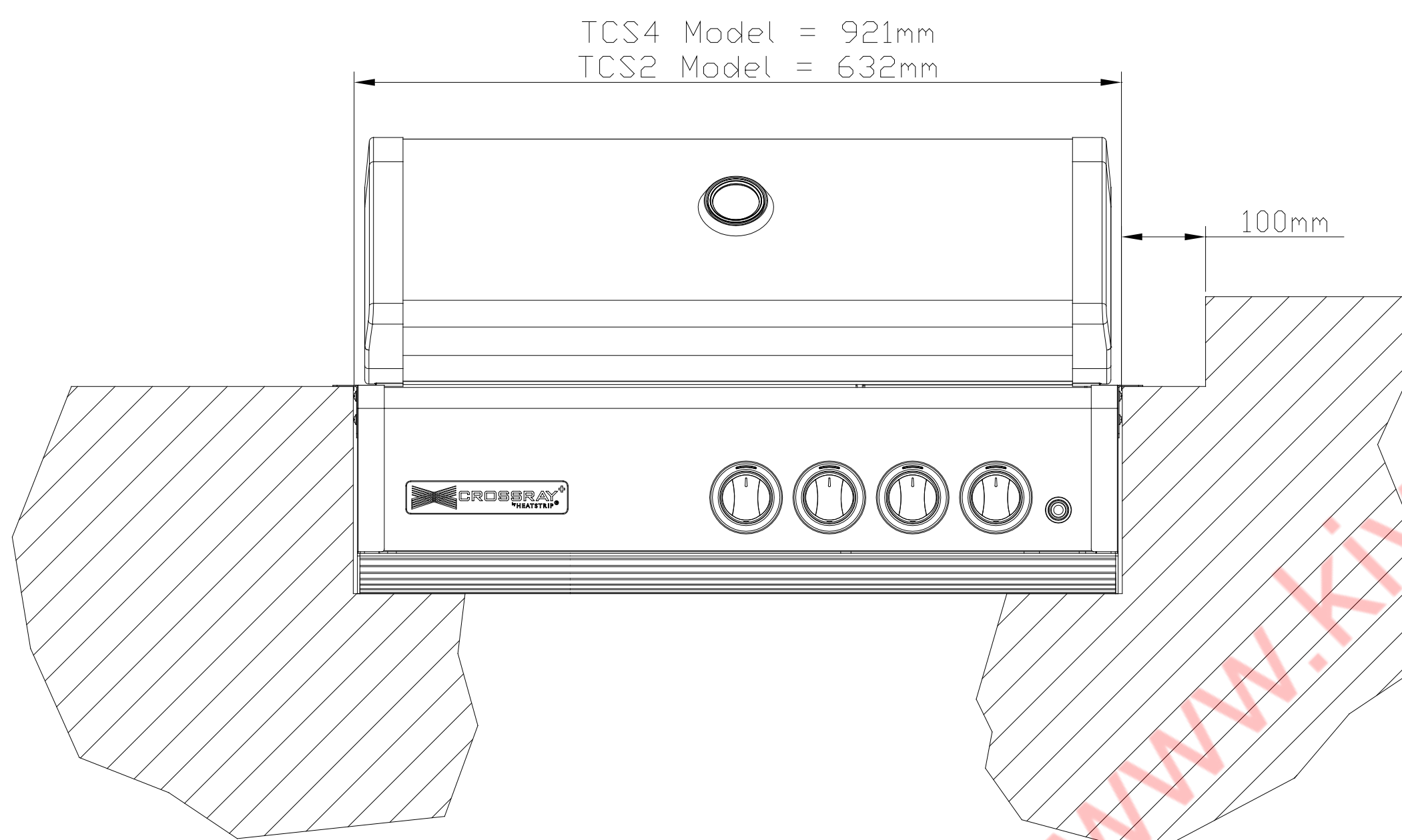
Model: TCS4FL



Model: TCS2FL



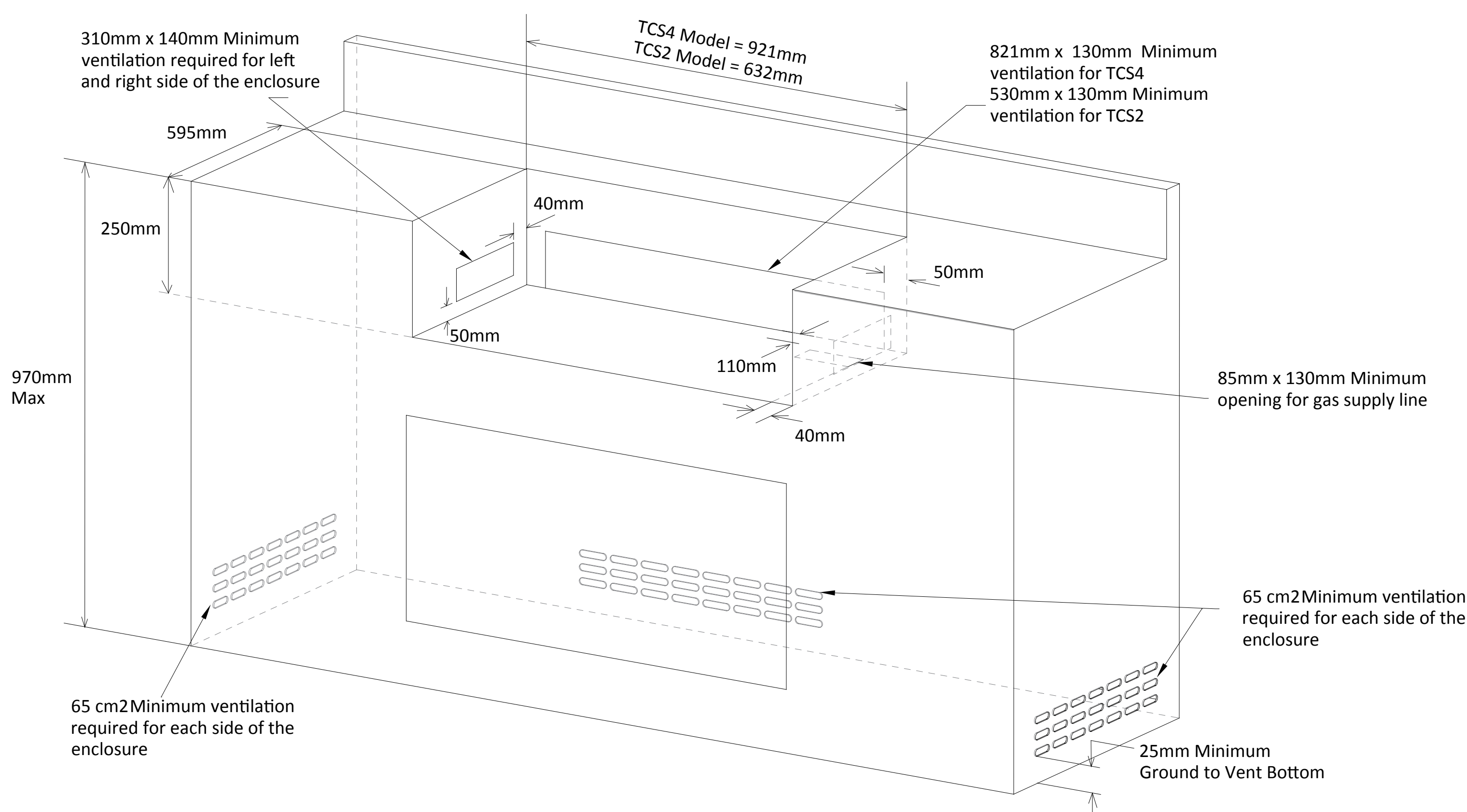
Clearances to Non-Combustible Materials



Important! Gas fittings, regulator, and installer supplied shut-off valves must be easily accessible

Note: All dimension shown refer to installation into a non-combustible enclosure. Minimum dimensions to combustible material is 50cm to right, left and 100cm above the grill. A minimum of 80cm clearance to combustable from the rear of the grill is required.

Built-in planning guide for Non-Combustible enclosure Construction



Note: For installations where the clearance between the BBQ and surrounding non-combustible material (on all sides) is more than 10mm, then the side and back ventilation holes are not required. A 10mm + clearance on all sides will allow for adequate ventilation.