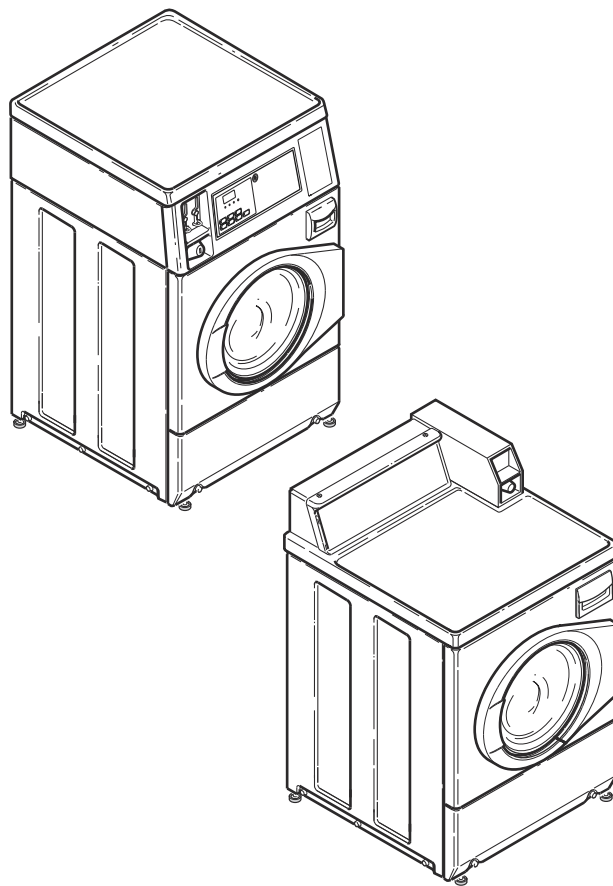


Commercial Frontload Washers

Refer to Page 3 for Model Numbers



FLW1550C_805863

Alliance[™]
Laundry Systems

www.alliancelandry.com

Part No. 805863R13
December 2019

Table of Contents

Title	Page
Parts Ordering Information.....	2
Serial Plate Location	2
Model Identification	3
Control Panel and Controls (Drawing 1 of 2)	4
Control Panel and Controls (Drawing 2 of 2)	6
Top Assembly	8
Network Board Assembly.....	10
Electrical Access Panel, Filters and Terminal Block (Drawing 1 of 3).....	12
Electrical Access Panel, Filters and Terminal Block (Drawing 2 of 3).....	14
Electrical Access Panel, Filters and Terminal Block (Drawing 3 of 3).....	16
Control Cabinet - Front Control Coin Drop Models	18
Control Cabinet - Front Control Bill Acceptor Models	20
Non-Electronic Coin Drop, Cabinet Front and Wrapper Assembly	22
Electronic Coin Drop	24
Control Cabinet Controls - Front Control Card Reader Ready and OPL Models.....	26
Control Cabinet - 45 Degree Front Control Models (Drawing 1 of 2)	28
Control Cabinet - 45 Degree Front Control Models (Drawing 2 of 2).....	30
Coin Drop, Meter Case and Cabinet Top.....	32
Control Panel, Control Hood and Controls.....	34
Front Panel, Door Assembly and Door Seal	36
Dispenser Inlet Hose.....	38
Dispenser Assembly (Drawing 1 of 2).....	40
Dispenser Assembly (Drawing 2 of 2).....	42
Mixing Valve.....	44
Fill Hose	46
Outer Tub, Clamp Ring and Shock Absorbers.....	48
Inner Basket, Trunnion, Bearing Housing and Pulley	50
Motor and Belt.....	52
Drain Hoses and Valve	54
Drain Hose and Pump.....	56
Side, Base and Rear Panels	58
Junction Box	60
Junction Box and Power Cord	62
Shipping Materials	64
Wire Ties, Harness Clips and Lead-In Cord.....	66
Special Tools	68
Washer Labels	70
Wire Harnesses and Wires	72
Parts Index.....	75

© Copyright 2019, Alliance Laundry Systems LLC

All rights reserved. No part of the contents of this book may be reproduced or transmitted in any form or by any means without the expressed written consent of the publisher.

Parts Ordering Information

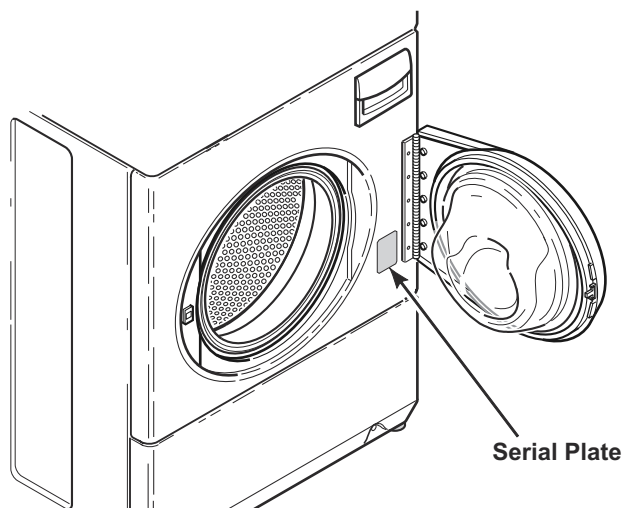
If literature or replacement parts are required, contact the source from whom the machine was purchased or contact Alliance Laundry Systems at (920) 748-3950 for the name and address of the nearest authorized parts distributor.

For technical assistance, call the number listed below:

(920) 748-3121 Ripon, Wisconsin

Serial Plate Location

When calling or writing about your product, be sure to mention model and serial numbers. Model and serial numbers are located on serial plate(s) as shown.



FLW2407N_805863

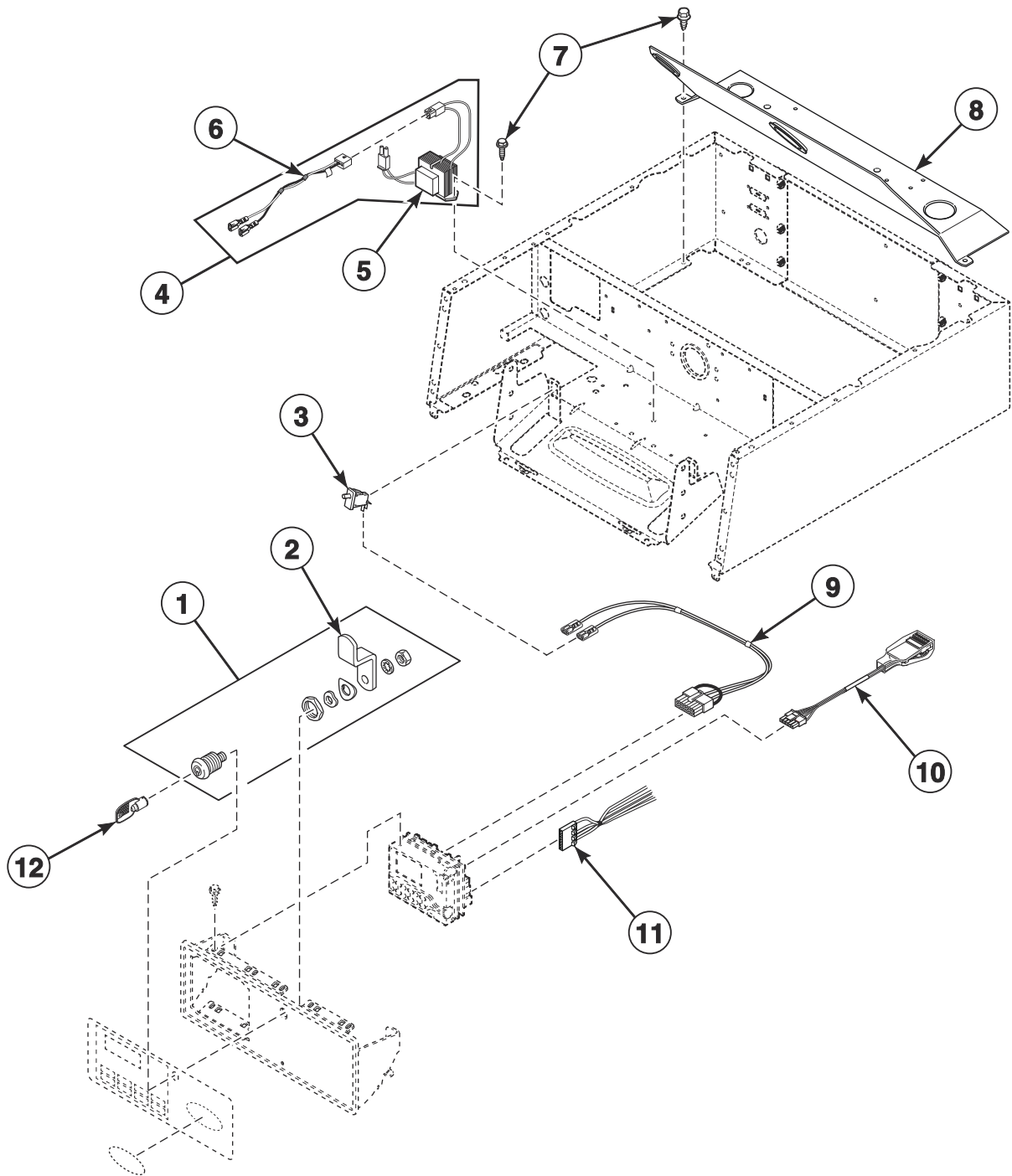
Model Identification

Information in this manual is applicable to these washer models:

BF3JGBJG403UN01	JF3JEASP413EW06	PF3JGBJG403UG06
BF3JGBJG403UN06	JF3JGASP413EW06	PF3JGBJP403UG06
BF3JGBJG403UW01	JF3JGBSP413EW06	PF3JGBSG403UG06
BF3JGBJG403UW06	JF3JMASG413EN06	PF3JGBSP403UG06
BF3JGBJP403UN01	JF3JMBSG413EN06	PF3JXASG403UG06
BF3JGBJP403UN06	JF3JRASP413EW06	PF3JXASP403UG06
BF3JGBJP403UW01	JF3JXASP413EW06	PFNJXASG303UG06
BF3JGBJP403UW06	JFNJEASG303EW06	PFNJXASG543ZG01
BF3JGBSG403UN01	JFNJEASP303EW06	PFNJXASP303UG06
BF3JGBSG403UN06	JFNJRASP303EW06	PFNJXASP304AG01
BF3JGBSG403UW01	JFNJXASG303EW06	PFNJXASP543ZG01
BF3JGBSG403UW06	JFNJXASP303EW06	SF3JGBJG403UW01
BF3JGBSP403UN01	NF3JGBSP403SW01	SF3JGBJP403UW01
BF3JGBSP403UN06	NF3JLBSG403UN01	SF3JGBSP403UW01
BF3JGBSP403UW01	NF3JLBSG403UT01	SF3JXASG403UN01
BF3JGBSP403UW06	NF3JLBSG403UT06	SF3JXASP403EW06
BF3JLBSG403UN01	NF3JLBSP403NN22	SFNNXASG103JW01
BF3JLBSG403UN06	NF3JLBSP403NW22	SFNNXASG113JW01
BF3JLBSG403UW01	NF3JLBSP403UN01	SFNNXASG303AN12
BF3JLBSG403UW06	NF3JLBSP403UT01	SFNNXASG303AW12
BF3JLBSP403UN01	NF3JLBSP403UT06	SFNNXASP123DW01
BF3JLBSP403UN06	NF3JLBSP403UW01	SFNNXASP303AN01
BF3JLBSP403UW01	NF3JXASG403UN01	SFNNXASP303AN12
BF3JLBSP403UW06	NF3JXASG403UW01	SFNNXASP303AW01
BF3JXASG403UN01	NF3JXASG403NW22	SFNNXASP303AW12
BF3JXASG403UN06	NF3JXASP403UN01	SFNNXASP303BW01
BF3JXASP403UN01	NF3JXASP403UW01	SFNNXASP303NN26
BF3JXASP403UN06	NF3JXASP403UW06	SFNNXASP543DW01
BF3JXASP403UW01	NF3JYASG403UW01	SFNNXASP543RW01
BF3JXASP403UW06	NFNJXASP543NN23	SFNNXRSP543NW23
HFNNXASP123DW01	NFNJYASP543NN23	SFNNZASP113NW22
HFNNXASP543DW01	NFNNXASP115MW01	SFNWXASP303LW01
	NFNNXASP303ZW01	TF3JXASP403NW22
	NFNWXASP303LN01	TFNJGBSP303NW36

Control Panel and Controls (Drawing 1 of 2)

10 Degree Front Control Models



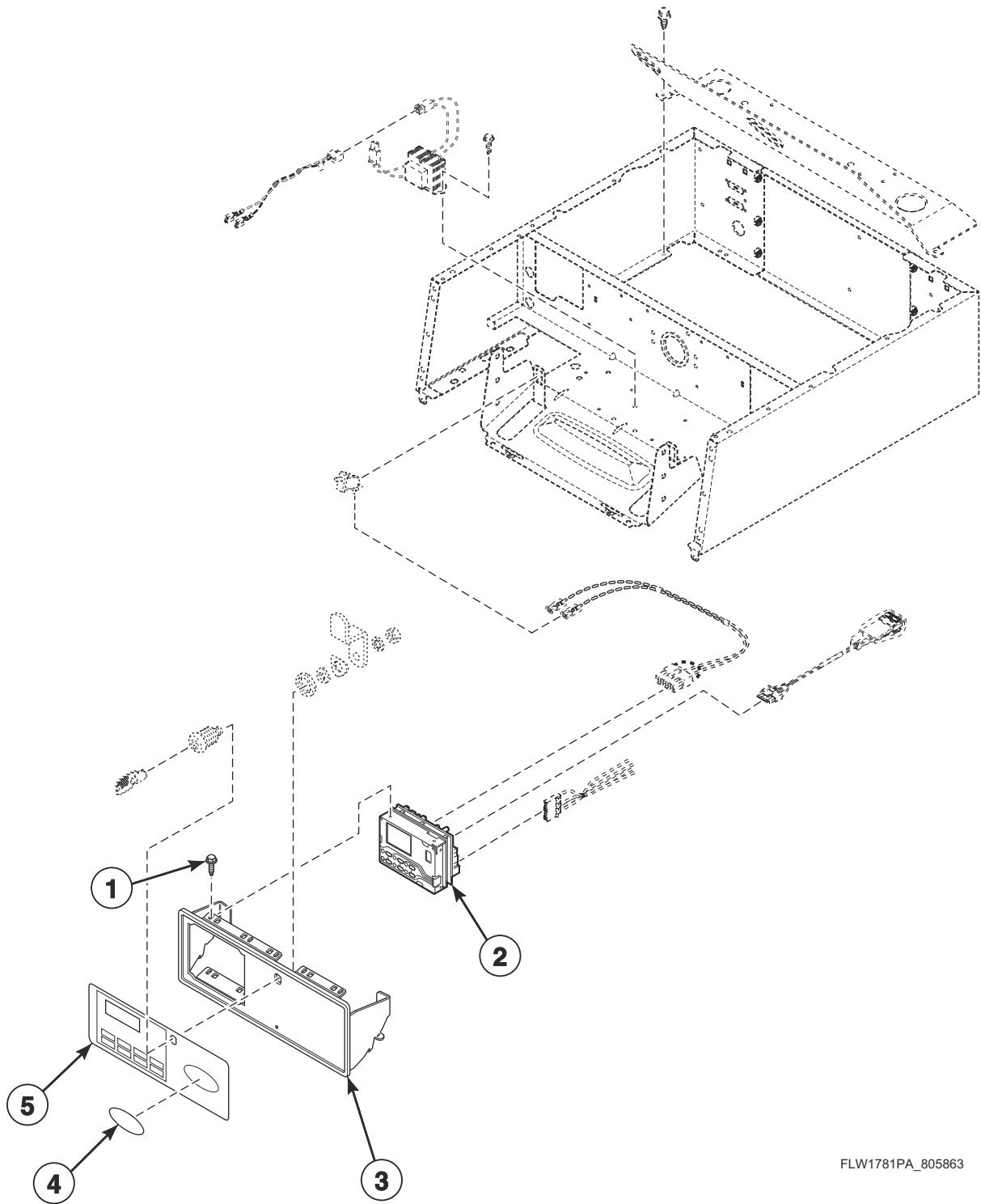
FLW1781P_805863

Control Panel and Controls (Drawing 1 of 2)

REF	PART NO.	DESCRIPTION	COMMENTS
	203328	Network Retrofit Kit	Wired
	NK220	Network Controller Kit	Wired
	203889	Wireless Network Kit	Through Serial No. 1902000001
	204689	Wireless Network Kit	Starting Serial No. 1902000001
	NK320	Ethernet Gateway Kit	Wireless
	203346	USB IR Interface Kit	
	NK330	USB Gateway Kit	Wireless
1	804339P	Lock Assembly	
2	804338	Lock Cam	
3	D512973	Switch	
4	203423	Transformer Kit	120 Volt; Includes items 5 and 6
	203424	Transformer Kit	240 Volt; Includes items 5 and 6
5	202757	Transformer	120 Volt
	202758	Transformer	240 Volt
6	804795	Transformer Harness	120 Volt
	805428	Transformer Harness	240 Volt
7	D503688	Screw	
8	804363	Control Shield	
9	202868	Wiring Harness Assembly	Diagnostic; With service door switch wires
	202869	Wiring Harness Assembly	Diagnostic; Without service door switch wires
10	203361P	Machine ID Control Assembly	Model or serial number is required when ordering
11	805427	Central Pay Harness	
12	54612	Key	GR800

Control Panel and Controls (Drawing 2 of 2)

10 Degree Front Control Models



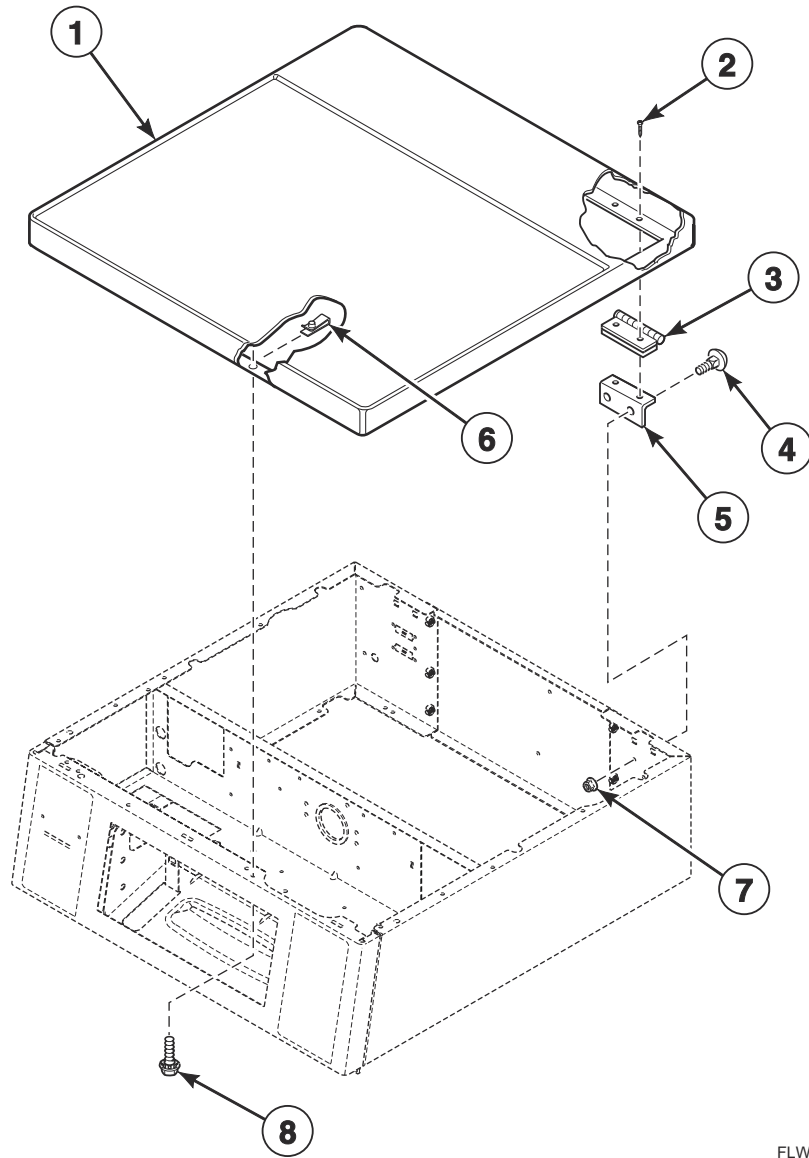
FLW1781PA_805863

Control Panel and Controls (Drawing 2 of 2)

REF	PART NO.	DESCRIPTION	COMMENTS
	203328	Network Retrofit Kit	Wired
	NK220	Network Controller Kit	Wired
	203889	Wireless Network Kit	Through Serial No. 1902000001
	204689	Wireless Network Kit	Starting Serial No. 1902000001
	NK320	Ethernet Gateway Kit	Wireless
	203346	USB IR Interface Kit	
	NK330	USB Gateway Kit	Wireless
1	804647	Screw	
2	806268P	Control Assembly	Red LEDs; Models BF3JXASG403UN01, BF3JXASG403UN06, BF3JXASP403UN01, BF3JXASP403UN06, BF3JXASP403UW01 and BF3JXASP403UW06
	806269P	Control Assembly	Blue LEDs; Models PF3JXASG403UG06, PF3JXASP403UG06, PFNJXASG303UG06, PFNJXASG543ZG01, PFNJXASP303UG06, PFNJXASP304AG01 and PFNJXASP543ZG01
	806267P	Control Assembly	Green LEDs; All other models
3	804070Q	Control Panel Assembly	Bisque
	804070W	Control Panel Assembly	White
	804070DG	Control Panel Assembly	Dark gray
	804070B	Control Panel Assembly	Black
4	804969	Label	Model SF3JXASP403EW06
	805914	Label	Model TF3JXASP403NW22
5	805374	Overlay	Models BF3JXASG403UN01, BF3JXASG403UN06, BF3JXASP403UN01, BF3JXASP403UN06, BF3JXASP403UW01 and BF3JXASP403UW06
	805766	Overlay	Models PF3JXASG403UG06, PF3JXASP403UG06, PFNJXASG303UG06, PFNJXASG543ZG01, PFNJXASP303UG06 and PFNJXASP543ZG01
	804851	Overlay	Models NF3JXASG403UN01, NF3JXASG403UW01, NF3JXASP403NW22, NF3JXASP403UN01, NF3JXASP403UW01, NF3JXASP403UW06, NF3JYASG403UW01, SF3JXASP403EW06 and TF3JXASP403NW22
	805377	Overlay	Models JF3JEASP413EW06, JF3JRASP413EW06, JF3JXASP413EW06, JFNJEASG303EW06, JFNJEASP303EW06, JFNJRASP303EW06, JFNJXASG303EW06 and JFNJXASP303EW06
	805373	Overlay	Models HFNNXASP123DW01 and HFNNXASP543DW01
	806173	Overlay	Model PFNJXASP304AG01
	806015	Overlay	Model JF3JGASP413EW06
	806016	Overlay	Model JF3JMASG413EN06
	807390	Overlay	Models NFNJXASP543NN23, NFNJYASP543NN23, NFNNXASP115MW01, NFNNXASP303ZW01 and NFNWXASP303LN01
	807555	Control Overlay	Model SF3JXASG403UN01
	805969	Control Overlay	Model SFNNXASP303BW01
	804849	Overlay	All other models

Top Assembly

10 Degree Front Control Models



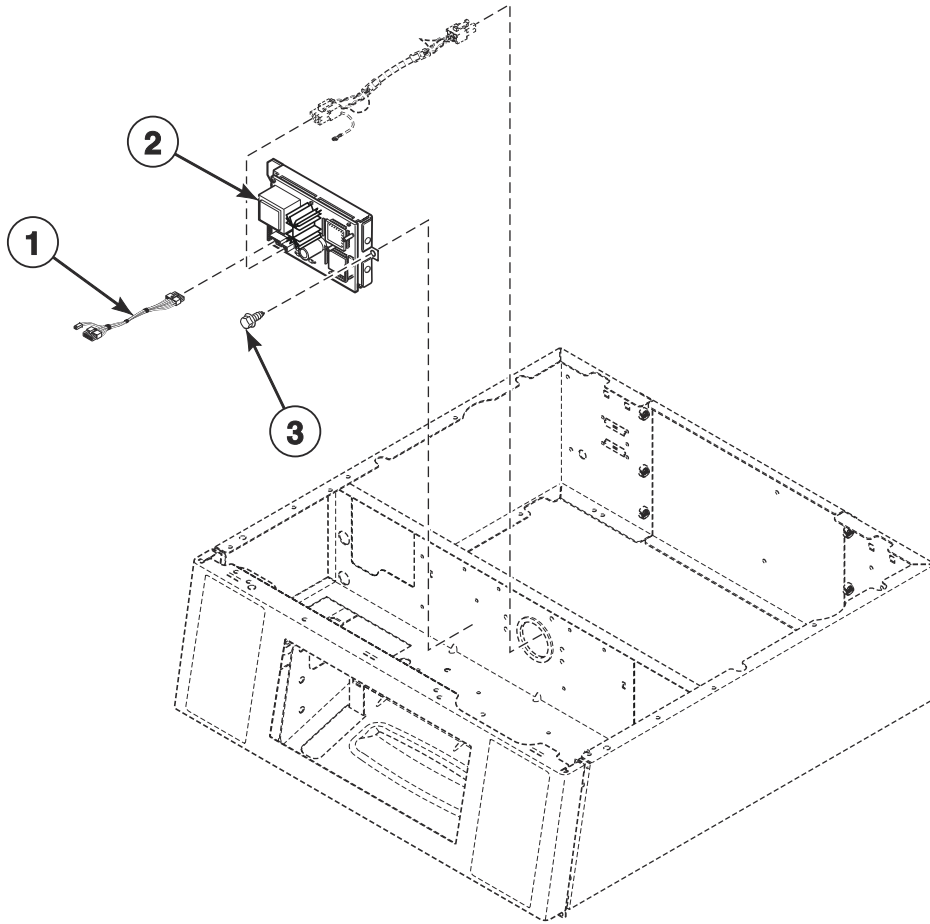
FLW1749P_805863

Top Assembly

REF	PART NO.	DESCRIPTION	COMMENTS
1	803868WP	Top Panel	White
	803869	Top Panel	Stainless steel
	804023DG	Top Panel	Dark gray
	803868Q	Top Panel	Bisque
2	685847	Pop Rivet	
3	D511036	Hinge	
4	29651	Bolt	
5	D504228	Top Mounting Bracket	
6	36020	Nut	
7	44087201	Nut	
8	23008	Screw	

Network Board Assembly

Models NFNWXASP303LN01, SF3JXASG403UN01 and SFNWXASP303LW01



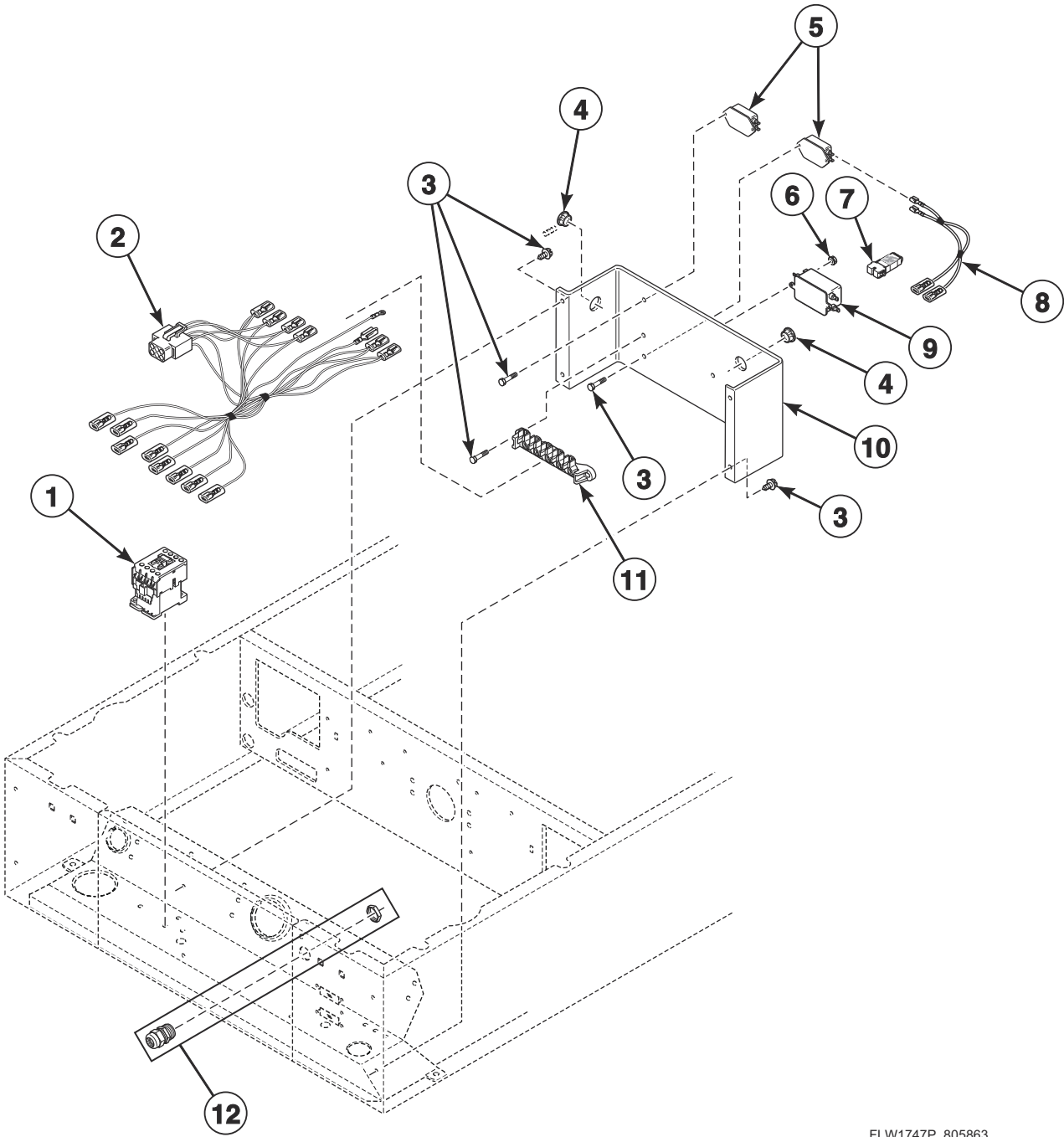
SWD1288P_805863

Network Board Assembly

REF	PART NO.	DESCRIPTION	COMMENTS
1	F8674006	Wireless Network Harness	
2	807211	Wireless Network Control Assembly	
3	D503661	Screw	

Electrical Access Panel, Filters and Terminal Block (Drawing 1 of 3)

3 Phase Models



FLW1747P_805863

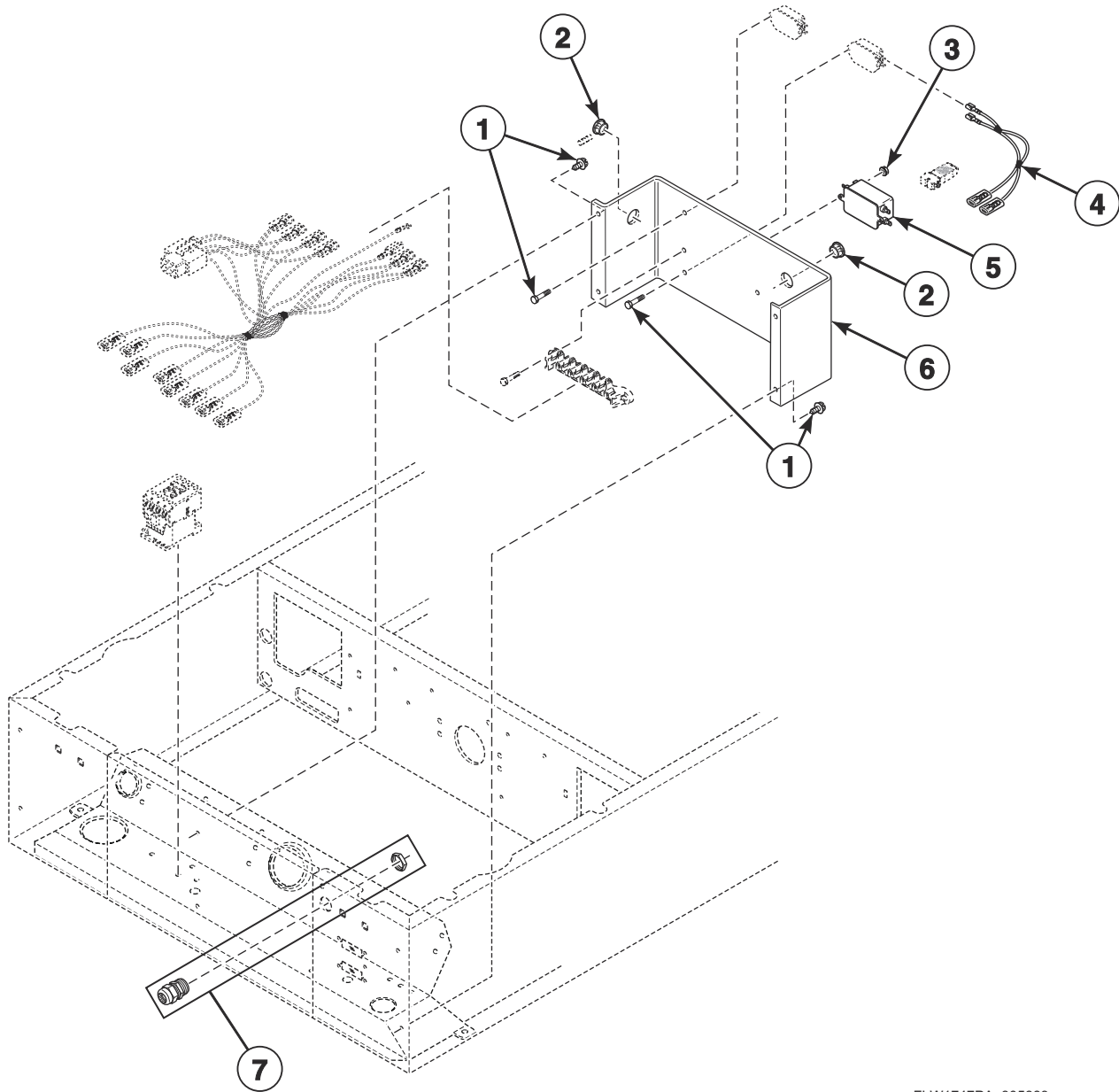
Electrical Access Panel, Filters and Terminal Block (Drawing 1 of 3)

REF	PART NO.	DESCRIPTION	COMMENTS
	804737	Terminal Block Harness	
	805356	Heater Contactor Drip Shield	
	805344	Terminal Block Drip Shield	
	805832	Conversion Kit	Use to convert from 400 Volt, 50 Hertz, 3 Phase to 230 Volt, 50 Hertz, Single Phase
1	70482603	Contactora	Through Serial Nos. beginning 1604
	806428	Contactora	Starting Serial Nos. beginning 1605
2	805544	Heat Contactor Harness	Through Serial Nos. beginning 1604
	806431	Heat Contactor Harness	Starting Serial Nos. beginning 1605
3	D503661	Screw	
4	M400770	Snap Bushing	45 degree front models
	M402542	Snap Bushing	All other models
5	805634	Filter	
6	29787	Nut	
7	804651	Network Varistor Assembly	
8	804797	Filter Harness	Filter to main harness
9	805633	Line Filter	
10	804609	Terminal Block Panel	45 degree front models
	803988	Terminal Block Assembly	All other models
11	D505876	Terminal Block Assembly	
12	801792P	Fitting	

Electrical Access Panel, Filters and Terminal Block (Drawing 2 of 3)

Models HFNNXASP123DW01, HFNNXASP543DW01, NFNJXASP543NN23, NFNJYASP543NN23, NFNNXASP303ZW01, NFNWXASP303LN01, PFNJXASG303UG06, PFNJXASG543ZG01, PFNJXASP303UG06, PFNJXASP304AG01, PFNJXASP543ZG01, SF3JXASP403EW06, SFNNXASP123DW01, SFNNXASP303AN01, SFNNXASP303AN12, SFNNXASP303AW01, SFNNXASP303AW12, SFNNXASP303BW01, SFNNXASP543DW01, SFNNXRSP543NW23 and SFNWXASP303LW01

Models Through Serial Nos. Beginning 1610



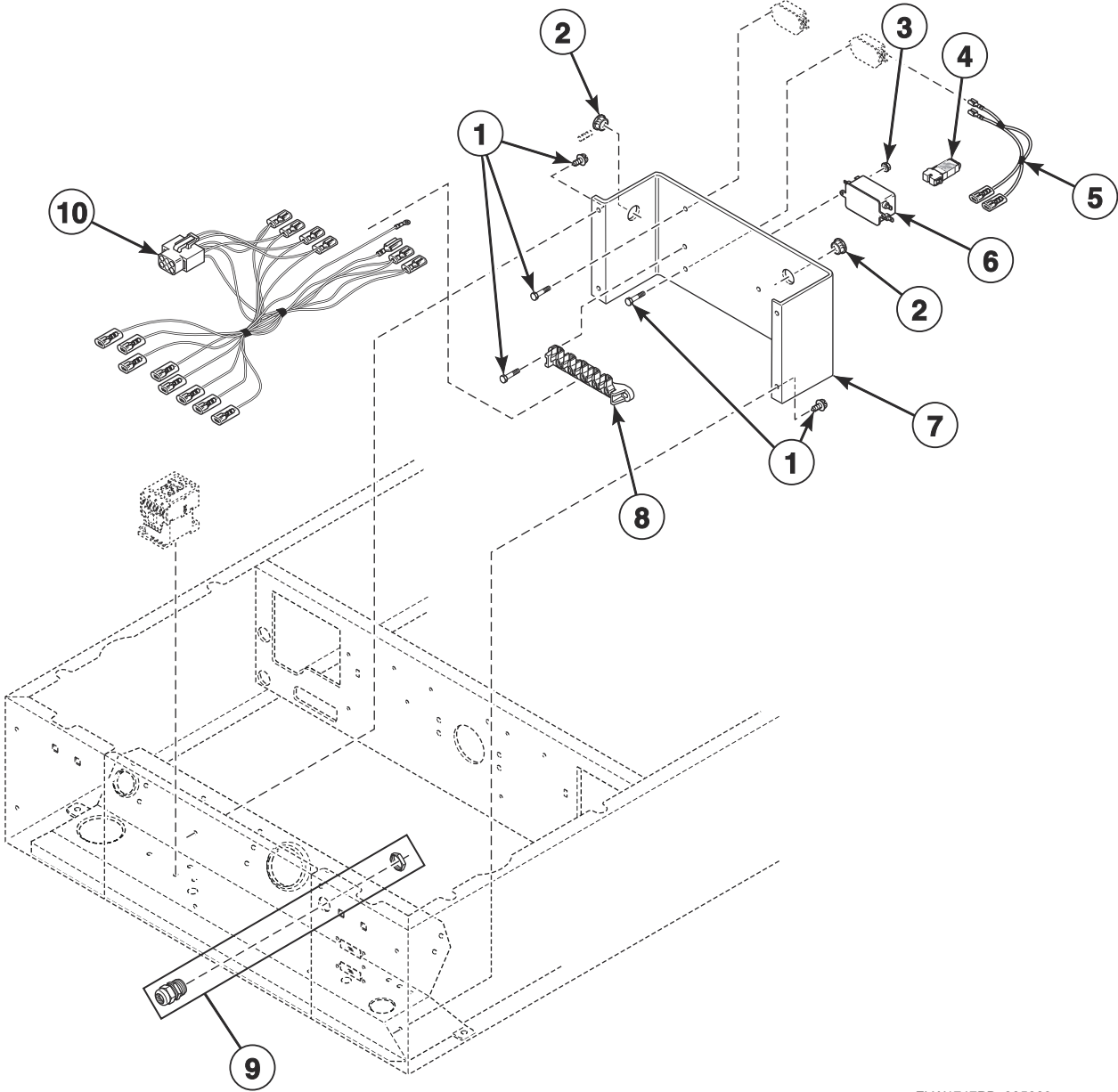
FLW1747PA_805863

Electrical Access Panel, Filters and Terminal Block (Drawing 2 of 3)

REF	PART NO.	DESCRIPTION	COMMENTS
	805344	Terminal Block Drip Shield	All models except NFNJYASP543NN23
1	D503661	Screw	
2	M402542	Snap Bushing	
3	29787	Nut	
4	804797	Filter Harness	Filter to main harness
5	805633	Line Filter	
6	803988	Terminal Block Assembly	
7	801792P	Fitting	

Electrical Access Panel, Filters and Terminal Block (Drawing 3 of 3)

Models JFNJEASG303EW06, JFNJEASP303EW06, JFNJRASP303EW06, JFNJXASG303EW06 and JFNJXASP303EW06



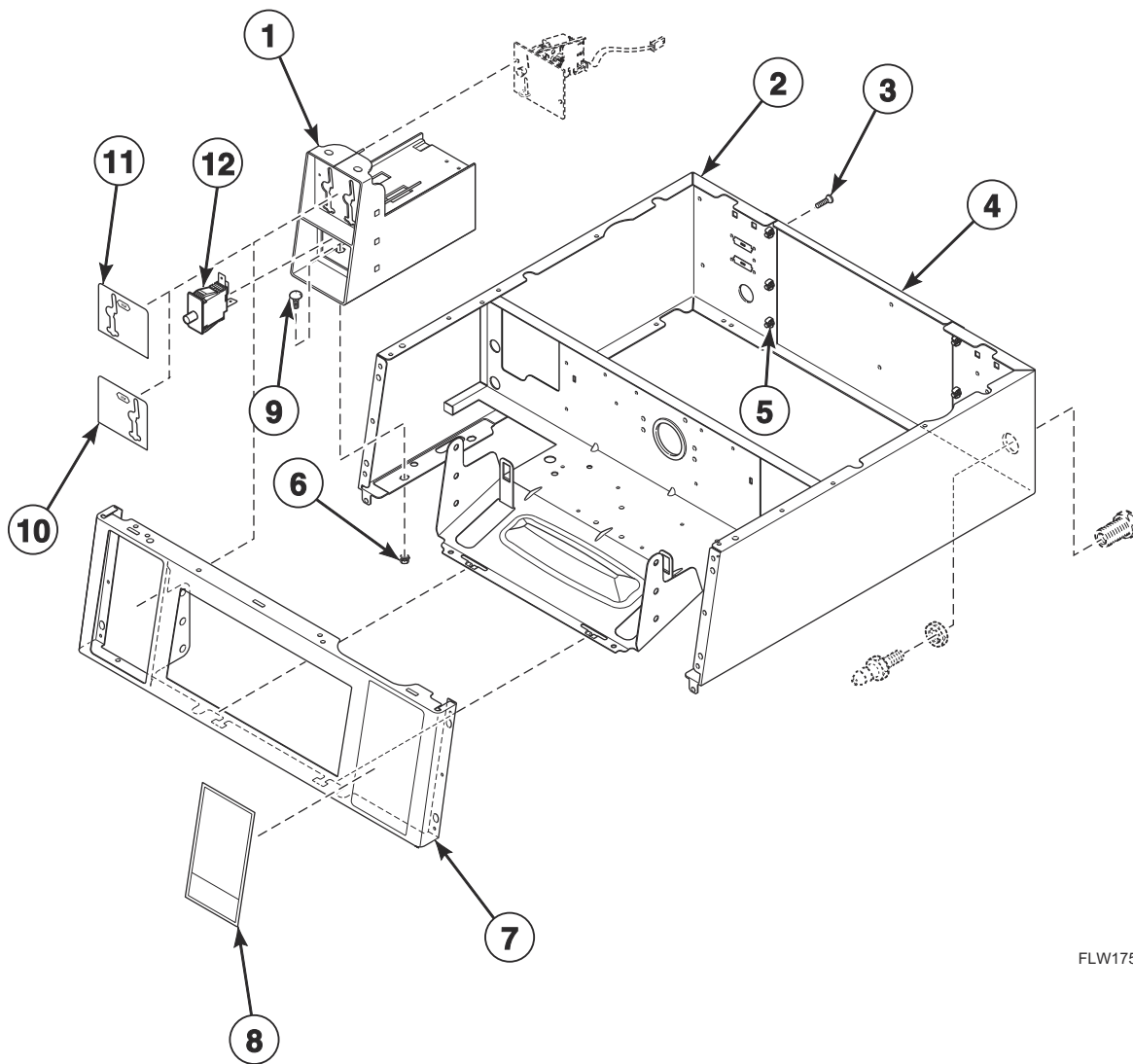
FLW1747PB_805863

Electrical Access Panel, Filters and Terminal Block (Drawing 3 of 3)

REF	PART NO.	DESCRIPTION	COMMENTS
	805344	Terminal Block Drip Shield	
1	D503661	Screw	
2	M402542	Snap Bushing	
3	29787	Nut	
4	804651	Network Varistor Assembly	
5	804797	Filter Harness	Filter to main harness
6	805633	Line Filter	
7	803988	Terminal Block Assembly	
8	D505876	Terminal Block Assembly	
9	801792P	Fitting	
10	804716	Terminal Block Harness	

Control Cabinet - Front Control Coin Drop Models

Models BF3JXASG403UN01, BF3JXASG403UN06, BF3JXASP403UN01, BF3JXASP403UN06, BF3JXASP403UW01, BF3JXASP403UW06, HFNNXASP123DW01, HFNNXASP543DW01, JF3JEASP413EW06, JF3JRASP413EW06, JF3JXASP413EW06, JFNJEASG303EW06, JFNJEASP303EW06, JFNJRASP303EW06, JFNJXASG303EW06, JFNJXASP303EW06, NF3JXASG403UN01, NF3JXASG403UW01, NF3JXASP403NW22, NF3JXASP403UN01, NF3JXASP403UW01, NF3JXASP403UW06, NFNJXASP543NN23, NFNNXASP115MW01, NFNNXASP303ZW01, NFNWXASP303LN01, PF3JXASG403UG06, PF3JXASP403UG06, PFNJXASG303UG06, PFNJXASG543ZG01, PFNJXASP303UG06, PFNJXASP304AG01, PFNJXASP543ZG01, SF3JXASG403UN01, SF3JXASP403EW06, SFNNXASG103JW01, SFNNXASG113JW01, SFNNXASG303AN12, SFNNXASG303AW12, SFNNXASP123DW01, SFNNXASP303AN01, SFNNXASP303AN12, SFNNXASP303AW01, SFNNXASP303AW12, SFNNXASP303BW01, SFNNXASP303NN26, SFNNXASP543DW01, SFNNXASP543RW01, SFNWXASP303LW01 and TF3JXASP403NW22



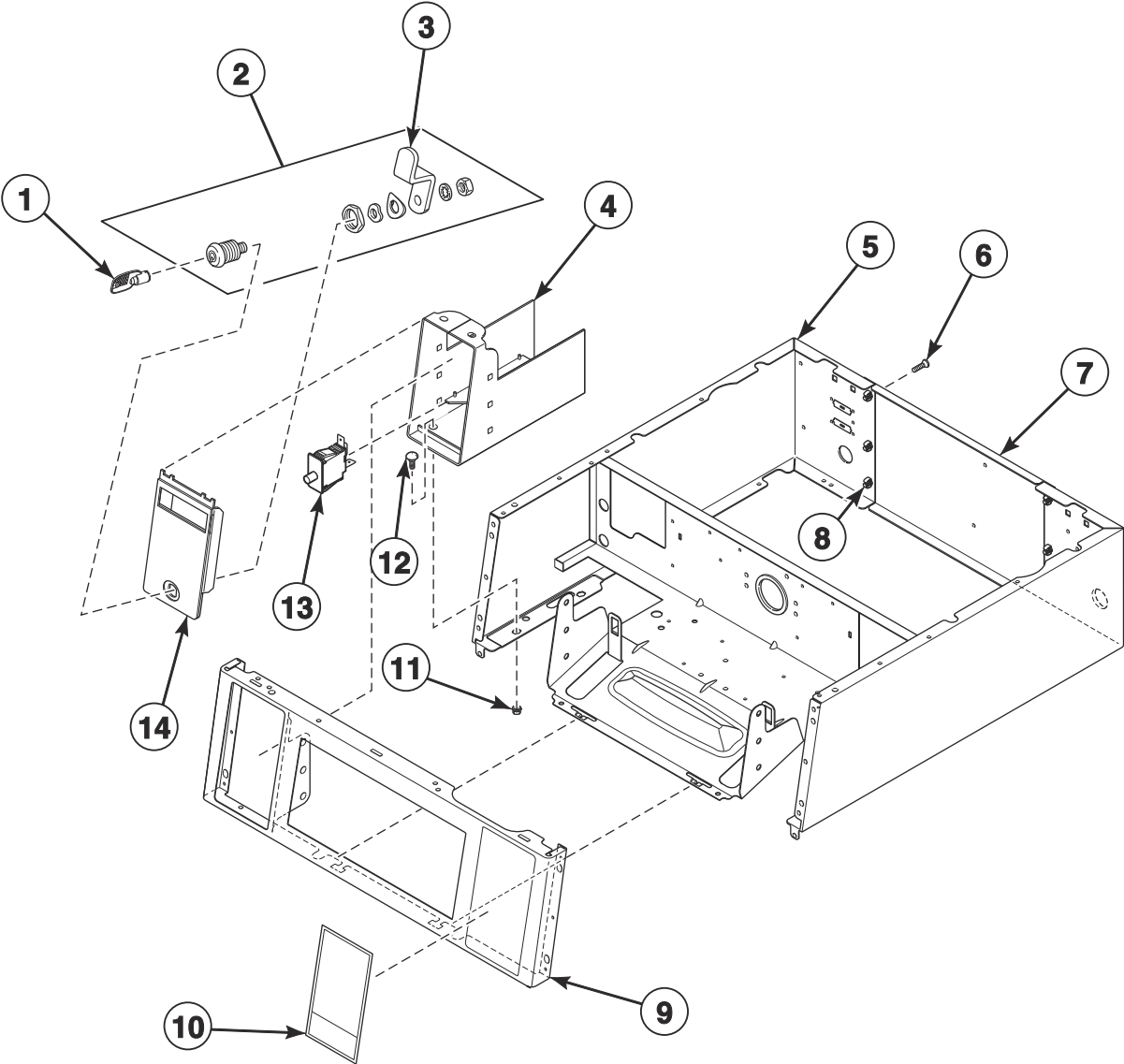
FLW1752P_805863

Control Cabinet - Front Control Coin Drop Models

REF	PART NO.	DESCRIPTION	COMMENTS
	202868	Wiring Harness Assembly	Diagnostic; Models JF3JRASP413EW06 and JFNJRASP303EW06
	D516835	Laundry View Harness	Models JF3JRASP413EW06 and JFNJRASP303EW06
	44024203	Hole Plug	Models JF3JRASP413EW06 and JFNJRASP303EW06
	F140938	Snap Bushing	Models JF3JRASP413EW06 and JFNJRASP303EW06
1	807396B	Meter Case Assembly	Black
	807254DG	Meter Case Assembly	Dark gray
	807396W	Meter Case Assembly	White
2	804108W	Wrapper Assembly	White; Models BF3JXASP403UW01, BF3JXASP403UW06, JF3JEASP413EW06, JF3JRASP413EW06, JF3JXASP413EW06, NF3JXASG403UW01, NF3JXASP403NW22, NF3JXASP403UW01, NF3JXASP403UW06, SF3JXASP403EW06 and TF3JXASP403NW22
	804108B	Wrapper Assembly	Black; Models BF3JXASG403UN01, BF3JXASG403UN06, BF3JXASP403UN01, BF3JXASP403UN06, NF3JXASG403UN01, NF3JXASP403UN01 and SF3JXASG403UN01
	804108DG	Wrapper Assembly	Dark gray; Models PF3JXASG403UG06 and PF3JXASP403UG06
	804104B	Wrapper Assembly	Black; All other models
	804104DG	Wrapper Assembly	Dark gray; All other models
	804104W	Wrapper Assembly	White; All other models
3	70240301	Screw	6 required
4	803998	Rear Access Panel	
5	70030501	Expansion Clip	6 required
6	44087201	Nut	
7	803962BP	Control Panel	Black
	803962DG	Control Panel	Dark gray
	803962WP	Control Panel	White
8	806194	Operating Instruction Label	Model PFNJXASP304AG01
	D514681	Nameplate Overlay	Models JF3JEASP413EW06, JF3JXASP413EW06, JFNJEASG303EW06, JFNJEASP303EW06, JFNJXASG303EW06 and JFNJXASP303EW06
	805829	Operating Instructions Label	Models NFNJXASP543NN23, PFNJXASG303UG06, PFNJXASG543ZG01, PFNJXASP303UG06 and PFNJXASP543ZG01
	804846	Operating Instruction Label	Icon; All models except JF3JRASP413EW06 and JFNJRASP303EW06
	804327	Operating Instruction Label	English; All models except JF3JRASP413EW06 and JFNJRASP303EW06
	807627	Operating Instruction Label	Icon; Black
9	29651	Bolt	
10	38717	Single Overlay	\$0.25
	803476	Single Drop Overlay	Models JF3JEASP413EW06, JF3JXASP413EW06, JFNJEASG303EW06, JFNJEASP303EW06, JFNJXASG303EW06 and JFNJXASP303EW06
11	201091	Overlay	For electronic coin drops
12	D512973	Switch	Used through Serial No.1809999999

Control Cabinet - Front Control Bill Acceptor Models

Model SFNNZASP113NW22



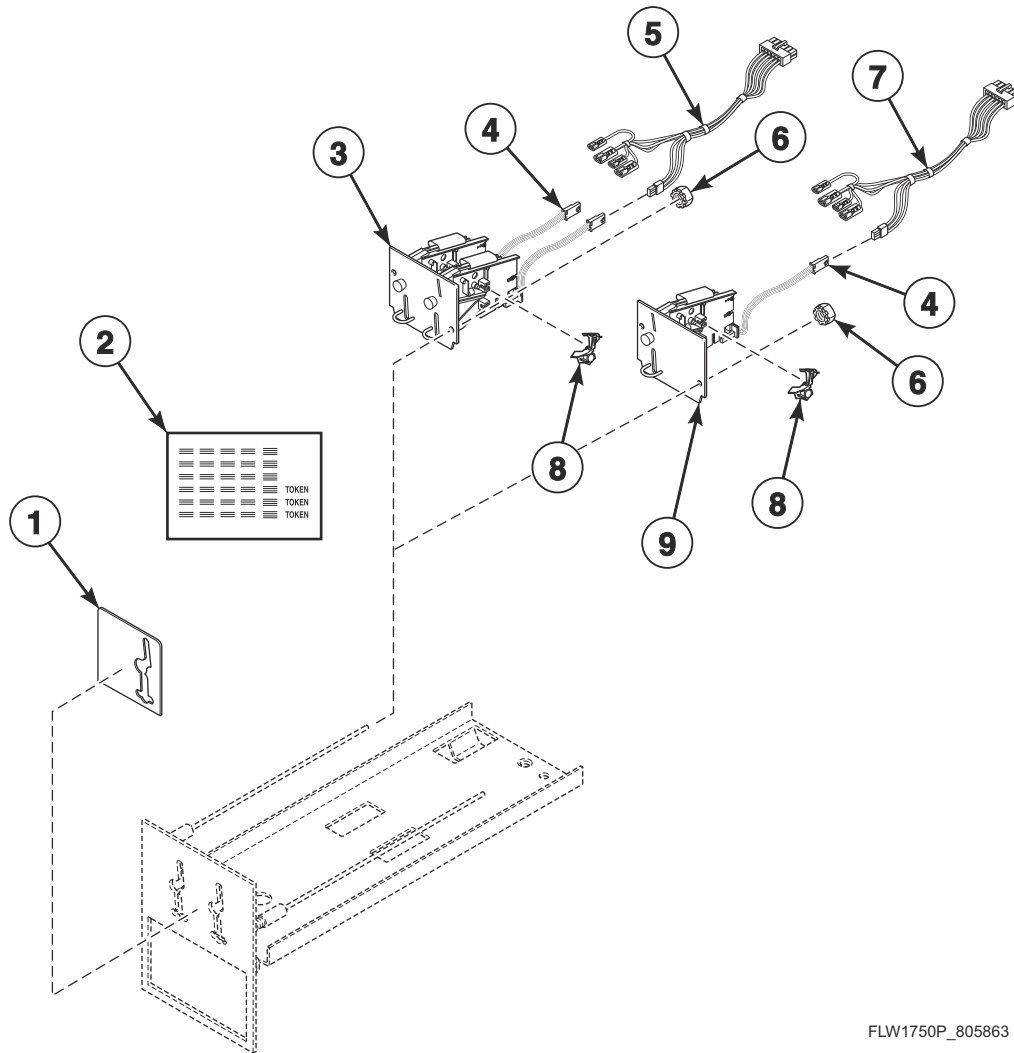
FLW1820P_805863

Control Cabinet - Front Control Bill Acceptor Models

REF	PART NO.	DESCRIPTION	COMMENTS
	202868	Wiring Harness Assembly	Diagnostic
1	54612	Key	GR800
2	804339P	Lock Assembly	
3	804338	Lock Cam	
4	806967W	Meter Case Assembly	
5	804104W	Wrapper Assembly	
6	70240301	Screw	6 required
7	803998	Rear Access Panel	
8	70030501	Expansion Clip	6 required
9	803962WP	Control Panel	White
10	804846	Operating Instruction Label	Icon; Gray
	804327	Operating Instruction Label	English; Gray
	807627	Operating Instruction Label	Icon; Black
11	44087201	Nut	
12	29651	Bolt	
13	D512973	Switch	
14	807151W	Front Panel	

Non-Electronic Coin Drop, Cabinet Front and Wrapper Assembly

Coin Models



FLW1750P_805863

Non-Electronic Coin Drop, Cabinet Front and Wrapper Assembly

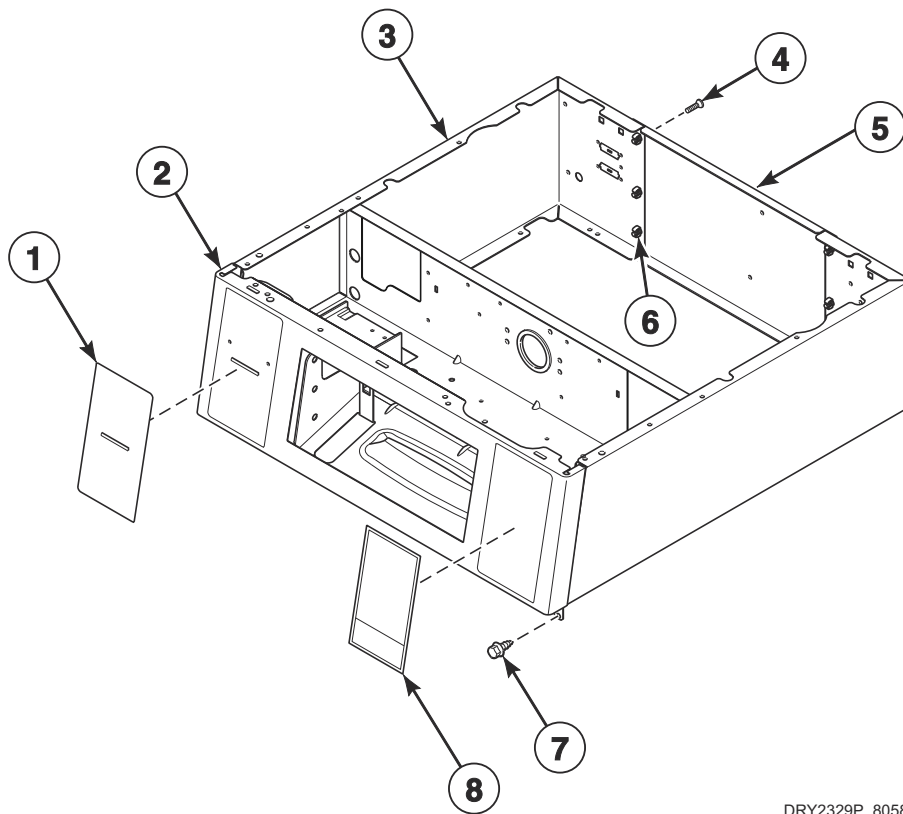
REF	PART NO.	DESCRIPTION	COMMENTS
1	38717	Single Overlay	
2	38725	Coin Identification Paper	
3	70441603	Coin Drop	Dual; U.S.A.; \$.25 and \$1.00
	38467	Coin Drop Assembly	Dual; Australia; \$0.20 and \$1.00
	70447301	Coin Drop Assembly	Dual; Australia; \$1.00 and \$2.00
	70441602	Coin Drop Assembly	Dual; Canada; .25 and 1.00
	38472	Coin Drop Assembly	Dual; England; 20 pence and 1 pound
	38519	Coin Drop Assembly	Dual; Japan; 100 yen and 500 yen
	38521	Coin Drop Assembly	Dual; Korea; 100 won and 500 won
	70482401	Coin Drop Assembly	Dual; New Zealand ; \$1.00 and \$2.00
	553192	Coin Drop Assembly	Dual; Danish Crown
	39157	Coin Drop Assembly	Dual; Israel; 1 and 5 Shekel
	210195	Coin Drop Assembly	Dual; 0.20 and 1.00 Euro
	210196	Coin Drop Assembly	Dual; 0.50 and 1.00 Euro
	70281102	Coin Drop Assembly	Dual; Taiwan; 10 and 50 NT
	CK058	Coin Drop Kit	Dual; Canada; \$0.25 and \$1.00
	CK060	Coin Drop Kit	Dual; Australia; \$0.20 and \$1.00
	CK071	Coin Drop Kit	Dual; Japan; 100 yen and 500 yen
	CK086	Coin Drop Kit	Dual; Israel; 1 and 5 Shekel
	CK091	Coin Drop Kit	Dual; 0.20 and 1.00 Euro
	CK107	Coin Drop Kit	Dual; Taiwan; 10 and 50 NT
	CK111	Coin Drop Kit	Dual; Australia; \$1.00 and \$2.00
	CK122	Coin Drop Kit	Dual; New Zealand; \$1.00 and \$2.00
4	200674P	Opto Coupler	
5	202871	Dual Coin Harness Assembly	
6	29786	Nut	
7	202870	Single Coin Harness Assembly	
8	201595P	Wire Guard	Anti-stringing security device
9	70441601P	Coin Drop	Single; U.S.A.; \$.25
	200731	Coin Drop	Single; U.S.A.; \$1.00
	38464P	Coin Drop Assembly	Single; Canada; .25
	CK114	Coin Drop Assembly	Single; Singapore; Old \$1.00
	CK123	Coin Drop Kit	Single; Singapore; New \$1.00
	38462P	Coin Drop Assembly	Single; Token; STD 118-1
	38463	Coin Drop Assembly	Single; Token; STD 118-5
	38963P	Coin Drop	Single; Token STD 118-16
	38475	Coin Drop Assembly	Single; Japan; 100 yen
	70506901	Coin Drop Assembly	Single; Singapore; \$1.00 NEW
	39748	Coin Drop	Single; Jeton 08MS
	201141	Coin Drop Assembly	Single; Token; Jeton wh121
	CK055	Coin Drop Kit	Token STD 118-1
	CK056	Coin Drop Kit	Token STD 118-5
	CK057	Coin Drop Kit	Single; Canada; \$0.25
	CK077	Coin Drop Kit	Single; Taiwan; 10 NT
	CK078	Coin Drop Kit	Single; U.S.A.; \$0.25
	CK085	Coin Drop Kit	Single; Token STD 118-16
	CK089	Coin Drop Kit	Single; Japan; 100 yen
	CK090	Coin Drop Kit	Single; U.S.A.; \$1.00
	CK097	Coin Drop Kit	Single; Token; Jeton 08MS
	CK098	Coin Drop Kit	Single; Token; Jeton wh121

Electronic Coin Drop

REF	PART NO.	DESCRIPTION	COMMENTS
1	CK099	Electronic Coin Drop Kit	Includes items 2-4 and 7-9; Australia, New Zealand, Hong Kong, South Korea and Malaysia coins
	CK100	Electronic Coin Drop Kit	Includes items 2-4 and 7-9; Euro and Great Britain coins
	CK101	Electronic Coin Drop Kit	Includes items 2-4 and 7-9; Euro, Denmark and Norway coins
	CK103	Electronic Coin Drop Kit	Includes items 2-4 and 7-9; Euro, Lithuania and Latvia coins
	CK108	Electronic Coin Drop Kit	Includes items 2-4 and 7-9; South African 1, 2 and 5 rand coins
	CK109	Electronic Coin Drop Kit	Includes items 2-4 and 7-9; Euro coins
	CK110	Electronic Coin Drop Kit	Includes items 2-4 and 7-9; Mexico, Ecuador and United States coins
	CK113	Electronic Coin Drop Kit	Includes items 2-4 and 7-9; Japan and Taiwan coins
	CK115	Electronic Coin Drop Kit	Includes items 2-4 and 7-9; United States and Canada coins
	CK116	Electronic Coin Drop Kit	Includes items 2-4 and 7-9; Malaysia (old and new) and China coins
	CK117	Electronic Coin Drop Kit	Includes items 2-4 and 7-9; Russian coins
	CK118	Electronic Coin Drop Kit	Includes items 2-4 and 7-9; Philippine coins
	CK119	Electronic Coin Drop Kit	Includes items 2-4 and 7-9; Thailand coins
	CK120	Electronic Coin Drop Kit	Includes items 2-4 and 7-9; Chile coins
CK121	Electronic Coin Drop Kit	Includes items 2-4 and 7-9; Singapore coins	
2	70513302	Electronic Coin Drop Assembly	Euro and Great Britain coins
	70294104	Electronic Coin Drop Assembly	Euro, Denmark and Norway coins
	70294107	Electronic Coin Drop Assembly	Euro, Lithuania and Latvia coins
	70294110	Electronic Coin Drop Assembly	South African 1, 2 and 5 rand coins
	70294111	Electronic Coin Drop Assembly	Euro coins
	70294106	Electronic Coin Drop Assembly	Mexico, Ecuador and United States coins
	70294122	Electronic Coin Drop Assembly	Great Britain and token coins
	70294120	Electronic Coin Drop Assembly	Chile coins
	70294121	Electronic Coin Drop Assembly	Singapore coins
	70294117	Electronic Coin Drop Assembly	Russia coins
	70294103P	Electronic Coin Drop Assembly	Euro and Great Britain coins
	70513311	Electronic Coin Drop Assembly	Malaysia (old and new) and China coins
	70294119	Electronic Coin Drop Assembly	Thailand coins
3	201216	Nut	
	29786	Nut	Use on front control models with no guide rods
4	201104	Coin Drop Wire Harness	
5	802905	Harness Assembly	Electronic coin drop requires this harness. If unit is not factory-equipped with this harness, it must be ordered separately.
6	201375P	Transformer	Electronic coin drop requires this transformer. If unit is not factory-equipped with this transformer, it must be ordered separately.
7	201572	Clip	
8	201091	Overlay	
9	38725	Coin Identification Paper	

Control Cabinet Controls - Front Control Card Reader Ready and OPL Models

Models JF3JGASP413EW06, JF3JMASG413EN06, NF3JYASG403UW01 and NFNJYASP543NN23



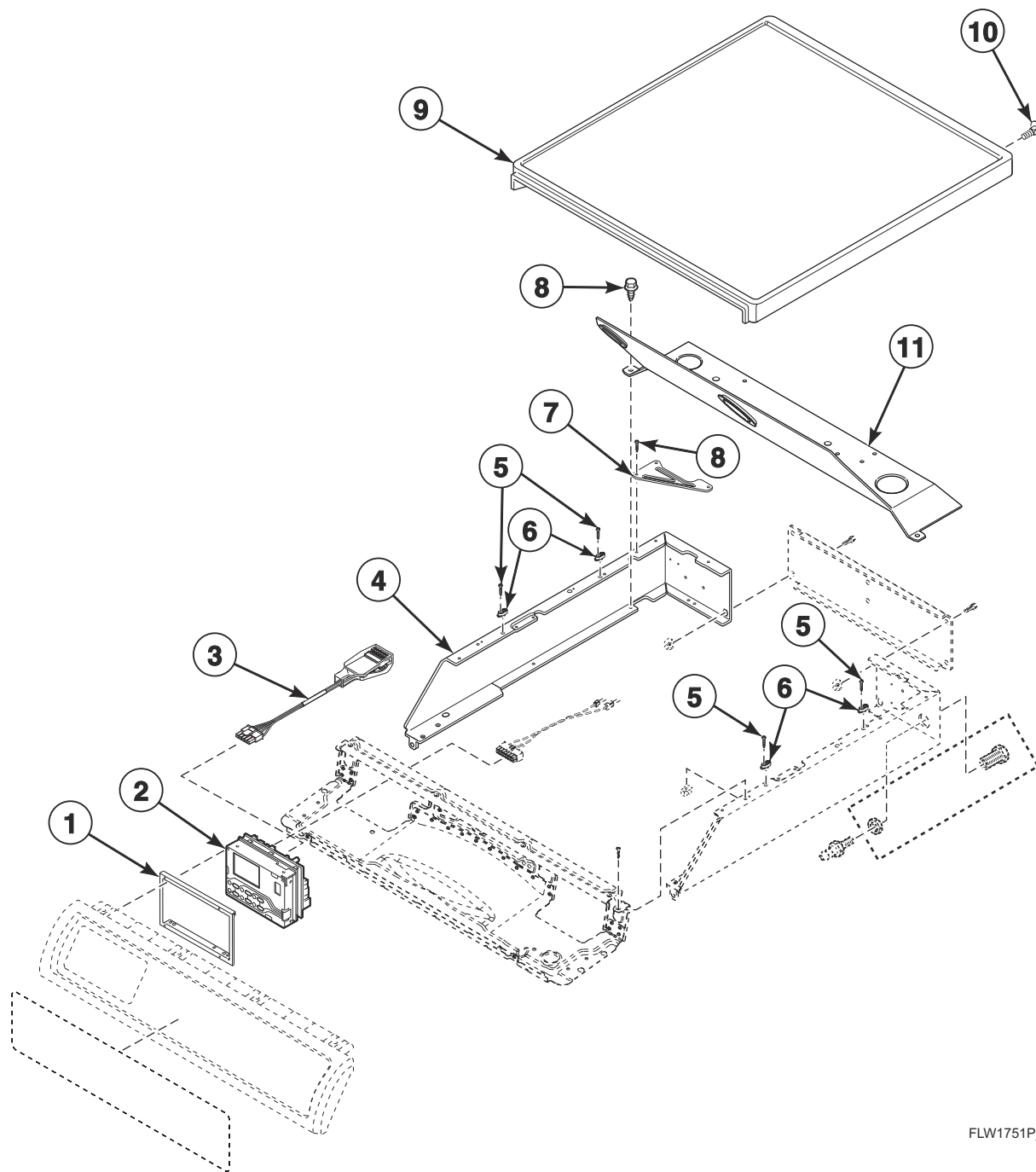
DRY2329P_805863

Control Cabinet Controls - Front Control Card Reader Ready and OPL Models

REF	PART NO.	DESCRIPTION	COMMENTS
1	D514874	Overlay	Model NF3JYASG403UW01
2	803970B	Control Panel	Black; Models JF3JGASP413EW06 and JF3JMASG413EN06
	803966B	Control Panel	Black; Model NFNJYASP543NN23
	804149WP	Security Cabinet Assembly	White; All other models
	804149B	Security Cabinet Assembly	Black; All other models
3	804108W	Wrapper Assembly	White; Models JF3JGASP413EW06 and JF3JMASG413EN06
	804112W	Wrapper Assembly	White; All other models
	804108B	Wrapper Assembly	Black; Models JF3JGASP413EW06 and JF3JMASG413EN06
	804112B	Wrapper Assembly	Black; All other models
4	70240301	Screw	6 required
5	803998	Rear Access Panel	
6	70030501	Expansion Clip	6 required
7	D503688	Screw	
8	806017	Overlay	Models JF3JGASP413EW06 and JF3JMASG413EN06
	804327	Operating Instruction Label	All other models; English; Gray
	807627	Operating Instruction Label	All other models; Icon; Black

Control Cabinet - 45 Degree Front Control Models (Drawing 1 of 2)

Models BF3JGBJG403UN01, BF3JGBJG403UN06, BF3JGBJG403UW01, BF3JGBJG403UW06, BF3JGBJP403UN01, BF3JGBJP403UN06, BF3JGBJP403UW01, BF3JGBJP403UW06, BF3JGBSG403UN01, BF3JGBSG403UN06, BF3JGBSG403UW01, BF3JGBSG403UW06, BF3JGBSP403UN01, BF3JGBSP403UN06, BF3JGBSP403UW01, BF3JGBSP403UW06, BF3JLBSG403UN01, BF3JLBSG403UN06, BF3JLBSG403UW01, BF3JLBSG403UW06, BF3JLBSP403UN01, BF3JLBSP403UN06, BF3JLBSP403UW01, BF3JLBSP403UW06, JF3JGBSP413EW06, JF3JMBSG413EN06, NF3JGBSP403SW01, NF3JLBSG403UN01, NF3JLBSG403UT01, NF3JLBSG403UT06, NF3JLBSP403NN22, NF3JLBSP403NW22, NF3JLBSP403UN01, NF3JLBSP403UT01, NF3JLBSP403UT06, NF3JLBSP403UW01, PF3JGBJG403UG06, PF3JGBJP403UG06, PF3JGBSG403UG06, PF3JGBSP403UG06, SF3JGBJG403UW01, SF3JGBJP403UW01, SF3JGBSP403UW01 and TFNJGBSP303NW36



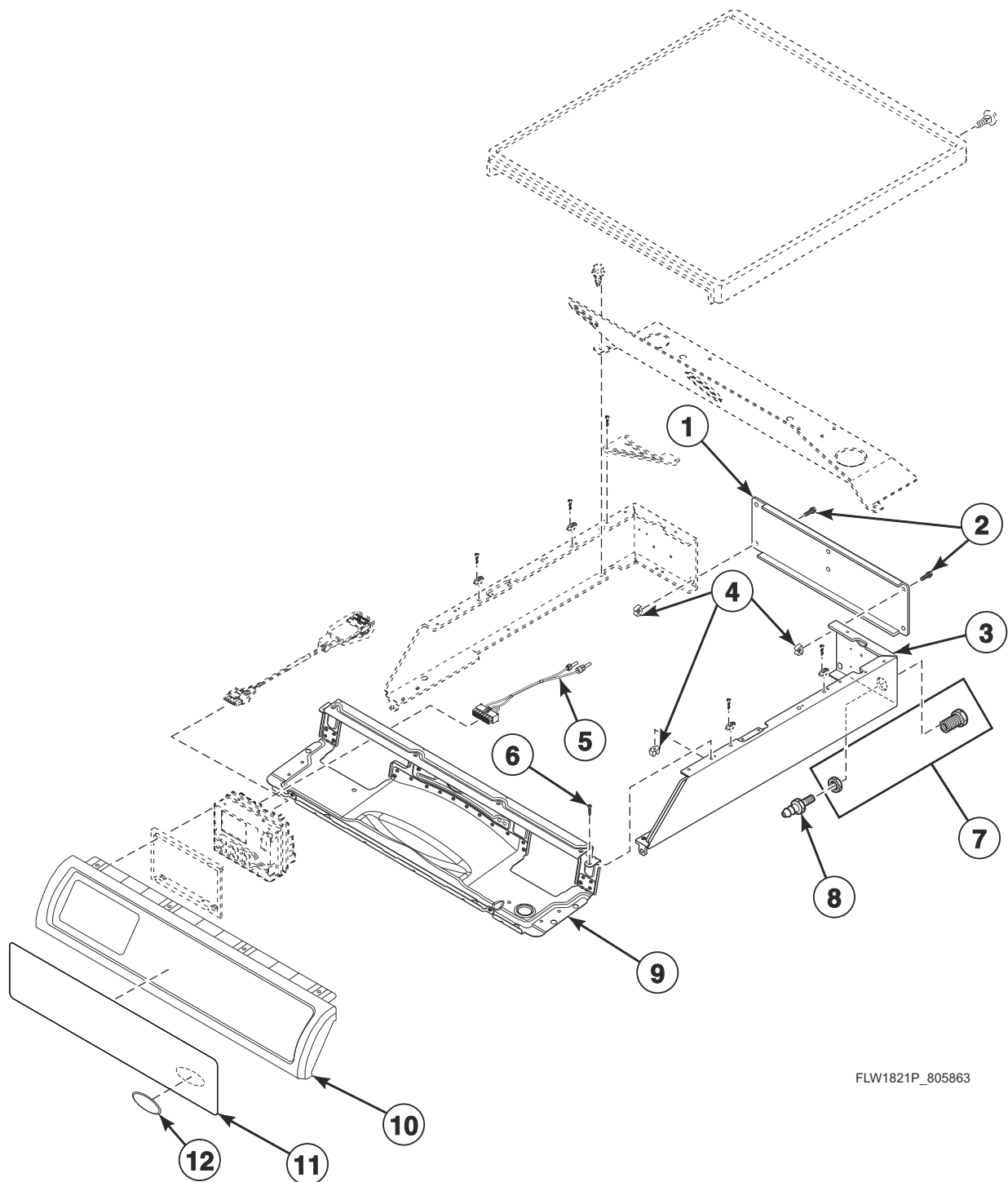
FLW1751P_805863

Control Cabinet - 45 Degree Front Control Models (Drawing 1 of 2)

REF	PART NO.	DESCRIPTION	COMMENTS
	36226	Bumper Pad	4 required
1	804612	Control Bracket	
2	806268P	Control Assembly	Red LEDs; Models BF3JGBJG403UN01, BF3JGBJG403UN06, BF3JGBJG403UW01, BF3JGBJG403UW06, BF3JGBJP403UN01, BF3JGBJP403UN06, BF3JGBJP403UW01, BF3JGBJP403UW06, BF3JGBSG403UN01, BF3JGBSG403UN06, BF3JGBSG403UW01, BF3JGBSG403UW06, BF3JGBSP403UN01, BF3JGBSP403UN06, BF3JGBSP403UW01, BF3JGBSP403UW06, BF3JLBSG403UN01, BF3JLBSG403UN06, BF3JLBSG403UW01, BF3JLBSG403UW06, BF3JLBSP403UN01, BF3JLBSP403UN06, BF3JLBSP403UW01, BF3JLBSP403UW06 and SF3JGBJG403UW01
	806269P	Control Assembly	Blue LEDs; Models PF3JGBJG403UG06, PF3JGBJP403UG06, PF3JGBSG403UG06 and PF3JGBSP403UG06
	806267P	Control Assembly	Green LEDs; All other models
3	203361P	Machine ID Control Assembly	Model or serial number is required when ordering
4	804628W	Control Wrapper	White; Left
	804628B	Control Wrapper	Black; Left
	804628DG	Control Wrapper	Dark gray; Left
5	39733	Screw	4 required
6	803761	Top Panel Guide	4 required
7	805345	Rear Wrapper Brace	2 required
8	D503688	Screw	6 required
9	804684	Top Panel	Stainless steel
	804685WP	Top Panel	White
	804685DG	Top Panel	Dark gray
10	29651	Bolt	
11	804363	Control Shield	

Control Cabinet - 45 Degree Front Control Models (Drawing 2 of 2)

Models BF3JGBJG403UN01, BF3JGBJG403UN06, BF3JGBJG403UW01, BF3JGBJG403UW06, BF3JGBJP403UN01, BF3JGBJP403UN06, BF3JGBJP403UW01, BF3JGBJP403UW06, BF3JGBSG403UN01, BF3JGBSG403UN06, BF3JGBSG403UW01, BF3JGBSG403UW06, BF3JGBSP403UN01, BF3JGBSP403UN06, BF3JGBSP403UW01, BF3JGBSP403UW06, BF3JLBSG403UN01, BF3JLBSG403UN06, BF3JLBSG403UW01, BF3JLBSG403UW06, BF3JLBSP403UN01, BF3JLBSP403UN06, BF3JLBSP403UW01, BF3JLBSP403UW06, JF3JGBSP413EW06, JF3JMBSG413EN06, NF3JGBSP403SW01, NF3JLBSG403UN01, NF3JLBSG403UT01, NF3JLBSG403UT06, NF3JLBSP403NN22, NF3JLBSP403NW22, NF3JLBSP403UN01, NF3JLBSP403UT01, NF3JLBSP403UT06, NF3JLBSP403UW01, PF3JGBJG403UG06, PF3JGBJP403UG06, PF3JGBSG403UG06, PF3JGBSP403UG06, SF3JGBJG403UW01, SF3JGBJP403UW01, SF3JGBSP403UW01 and TFNJGBSP303NW36



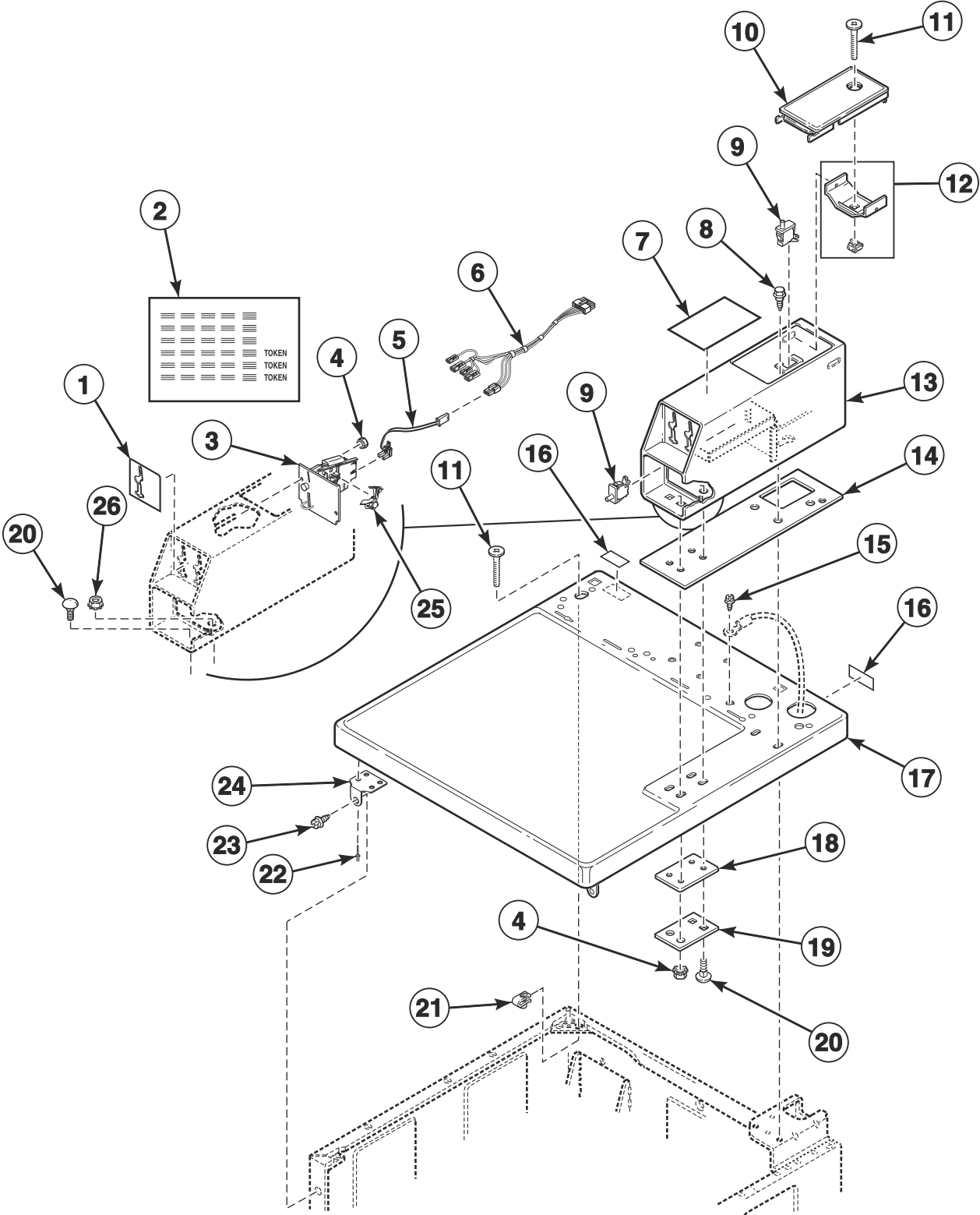
FLW1821P_805863

Control Cabinet - 45 Degree Front Control Models (Drawing 2 of 2)

REF	PART NO.	DESCRIPTION	COMMENTS
	36226	Bumper Pad	4 required
1	804614	Rear Access Panel	
2	D503688	Screw	
3	804629DG	Control Wrapper	Dark gray; Right; Models PF3JGBJG403UG06 and PF3JGBJP403UG06
	804629W	Control Wrapper	White; Right; Models BF3JGBJG403UW01, BF3JGBJG403UW06, BF3JGBJP403UW01, BF3JGBJP403UW06, SF3JGBJG403UW01 and SF3JGBJP403UW01
	804629B	Control Wrapper	Black; Right; Models BF3JGBJG403UN01, BF3JGBJG403UN06, BF3JGBJP403UN01 and BF3JGBJP403UN06
	804630W	Control Wrapper	White; Right; All other models
	804630B	Control Wrapper	Black; Right; All other models
	804630DG	Control Wrapper	Dark gray; Right; All other models
4	70030501	Expansion Clip	
5	202869	Wiring Harness Assembly	Diagnostic
6	804667	Screw	
7	801788	Union	Models BF3JGBJG403UN01, BF3JGBJG403UN06, BF3JGBJG403UW01, BF3JGBJG403UW06, BF3JGBJP403UN01, BF3JGBJP403UN06, BF3JGBJP403UW01, BF3JGBJP403UW06, PF3JGBJG403UG06, PF3JGBJP403UG06, SF3JGBJG403UW01 and SF3JGBJP403UW01
8	801789	Connector	Models BF3JGBJG403UN01, BF3JGBJG403UN06, BF3JGBJG403UW01, BF3JGBJG403UW06, BF3JGBJP403UN01, BF3JGBJP403UN06, BF3JGBJP403UW01, BF3JGBJP403UW06, PF3JGBJG403UG06, PF3JGBJP403UG06, SF3JGBJG403UW01 and SF3JGBJP403UW01
9	804613	Top Panel Brace Assembly	
10	804963	Control Panel Assembly	Black
	804962	Control Panel Assembly	White
	805008	Control Panel Assembly	Dark gray
11	805375	Control Overlay	Models BF3JGBJG403UN01, BF3JGBJG403UN06, BF3JGBJG403UW01, BF3JGBJG403UW06, BF3JGBJP403UN01, BF3JGBJP403UN06, BF3JGBJP403UW01, BF3JGBJP403UW06, BF3JGBSG403UN01, BF3JGBSG403UN06, BF3JGBSG403UW01, BF3JGBSG403UW06, BF3JGBSP403UN01, BF3JGBSP403UN06, BF3JGBSP403UW01, BF3JGBSP403UW06, BF3JLBSG403UN01, BF3JLBSG403UN06, BF3JLBSG403UW01, BF3JLBSG403UW06, BF3JLBSP403UN01, BF3JLBSP403UN06, BF3JLBSP403UW01 and BF3JLBSP403UW06
	805376	Control Overlay	Models NF3JGBSP403SW01, NF3JLBSG403UN01, NF3JLBSG403UT01, NF3JLBSG403UT06, NF3JLBSP403NN22, NF3JLBSP403NW22, NF3JLBSP403UN01, NF3JLBSP403UT01, NF3JLBSP403UT06, NF3JLBSP403UW01 and TFNJGBSP303NW36
	805379	Control Overlay	Model JF3JMBSP413EN06
	805768	Control Overlay	Models PF3JGBJG403UG06, PF3JGBJP403UG06, PF3JGBSG403UG06 and PF3JGBSP403UG06
	805378	Control Overlay	Model JF3JGBSP413EW06
	807555	Control Overlay	Models SF3JGBJG403UW01, SF3JGBJP403UW01 and SF3JGBSP403UW01
12	805914	Label	Domed; Model TFNJGBSP303NW36

Coin Drop, Meter Case and Cabinet Top

Model SFNNXRSP543NW23



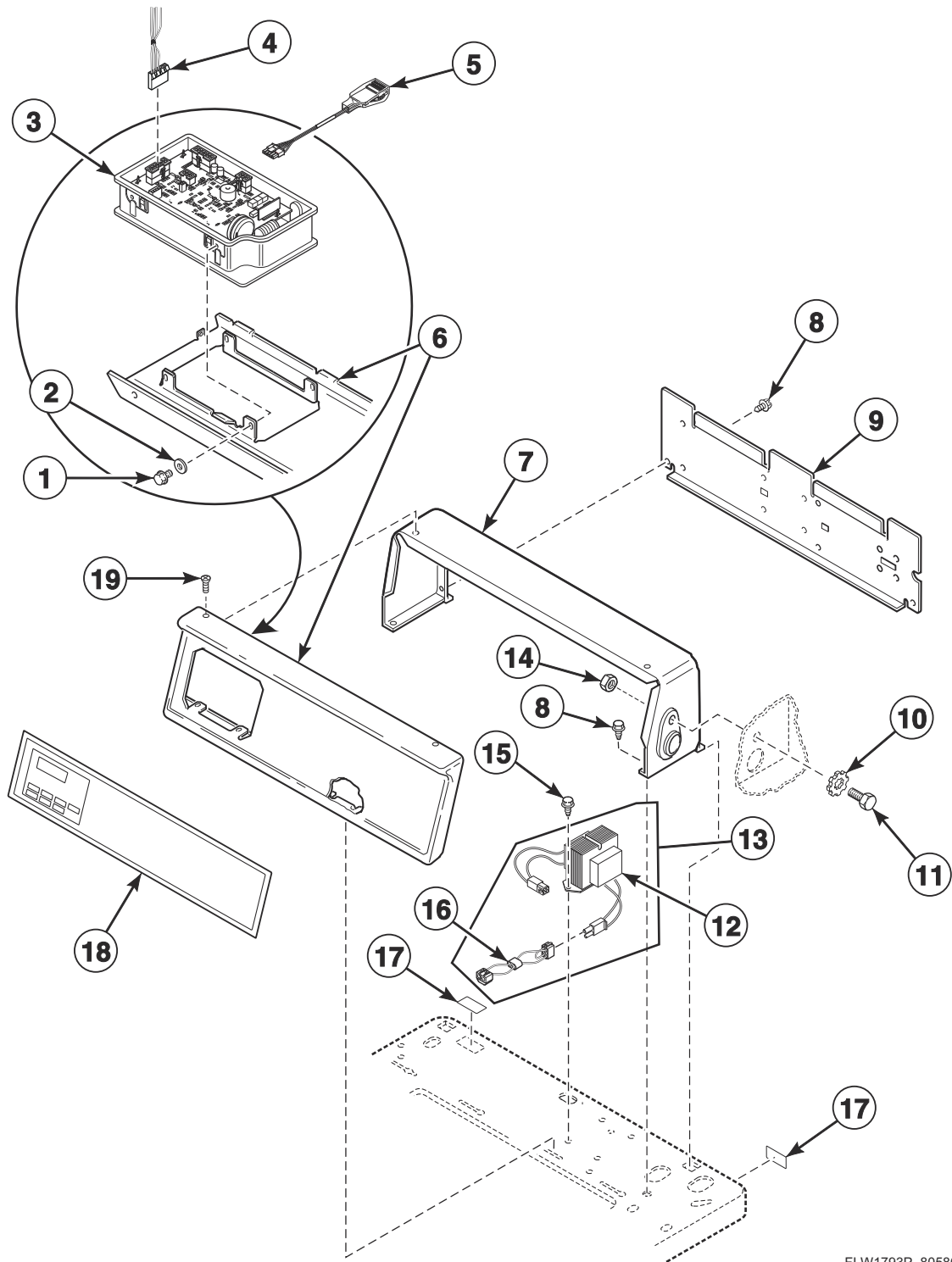
FLW980P_805863

Coin Drop, Meter Case and Cabinet Top

REF	PART NO.	DESCRIPTION	COMMENTS
1	38717	Single Overlay	
2	38725	Coin Identification Paper	
3	70441601P	Coin Drop	U.S.A.; \$.25
	70441602	Coin Drop Assembly	Canada; .25 and 1.00
4	29786	Nut	
5	200674P	Opto Coupler	
6	202870	Single Coin Harness Assembly	
	202871	Dual Coin Harness Assembly	
7	805830	Rear Control Operating Instruction Label	
8	36048	Screw	
9	D512973	Switch	
10	39874WP	Service Door Assembly	
11	D503673	Screw	
12	204616	Meter Case Locking Bracket Kit	
13	202877W	Meter Case Assembly	
14	26354	Meter Case Gasket	
15	20530	Screw	
16	D505281	Disconnect Power Warning Label	English
	D500316	Warning Label	English/French
17	D511527WP	Top Kit	
18	35526	Meter Case Bracket Gasket	
19	35525	Meter Case Lockdown Bracket	
20	203798	Bolt	
21	27222	Nut	
22	70058501	Pop Rivet	
23	D503661	Screw	
24	D510146	Bracket	
25	201595P	Wire Guard	Anti-stringing security device
26	802337	Nut	

Control Panel, Control Hood and Controls

Model SFNNXRSP543NW23

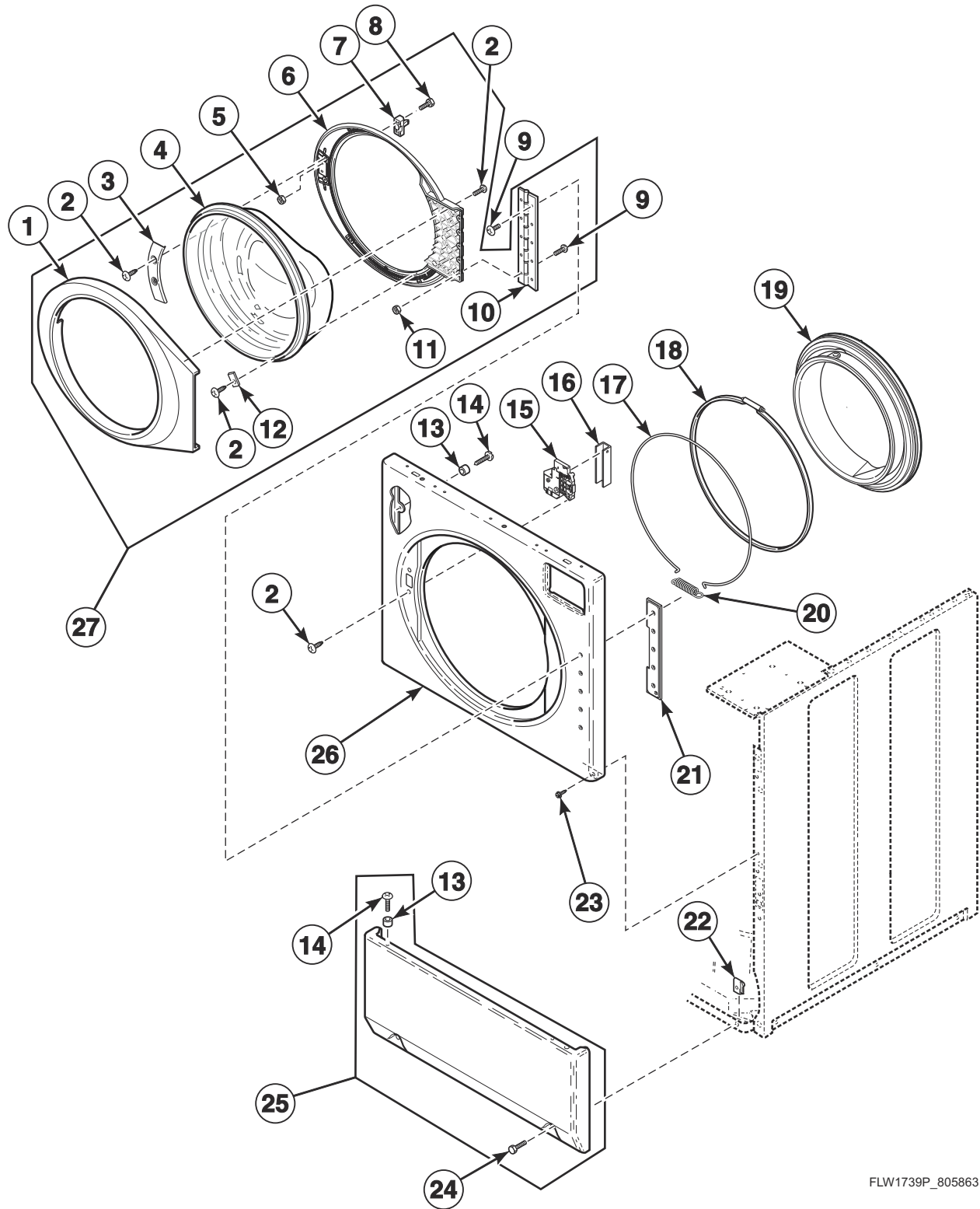


FLW1793P_805863

Control Panel, Control Hood and Controls

REF	PART NO.	DESCRIPTION	COMMENTS
	203889	Wireless Network Kit	Through Serial No. 1902000001
	204689	Wireless Network Kit	Starting Serial No. 1902000001
	203328	Network Retrofit Kit	Wired
	203346	USB IR Interface Kit	
	NK220	Network Controller Kit	Wired
	NK320	Ethernet Gateway Kit	Wireless
	NK330	USB Gateway Kit	Wireless
1	D501524	Screw	
2	200608	Washer	
3	806267P	Control Assembly	
4	805427	Central Pay Harness	
5	203361P	Machine ID Control Assembly	Model or serial number is required when ordering
6	800149W	Control Panel and Bracket Assembly	
7	D502567W	Control Hood	
8	D501086	Screw	
9	804223	Hood Back Panel	
10	M400017	Washer	
11	02916	Screw	
12	202757	Transformer	120 Volt
	202758	Transformer	240 Volt
13	203423	Transformer Kit	120 Volt; Includes items 12 and 16
	203424	Transformer Kit	240 Volt; Includes items 12 and 16
14	44087101	Nut	
15	D503661	Screw	
16	804832	Harness	
17	D505281	Disconnect Power Warning Label	
18	804850	Overlay	
19	52864	Screw	

Front Panel, Door Assembly and Door Seal

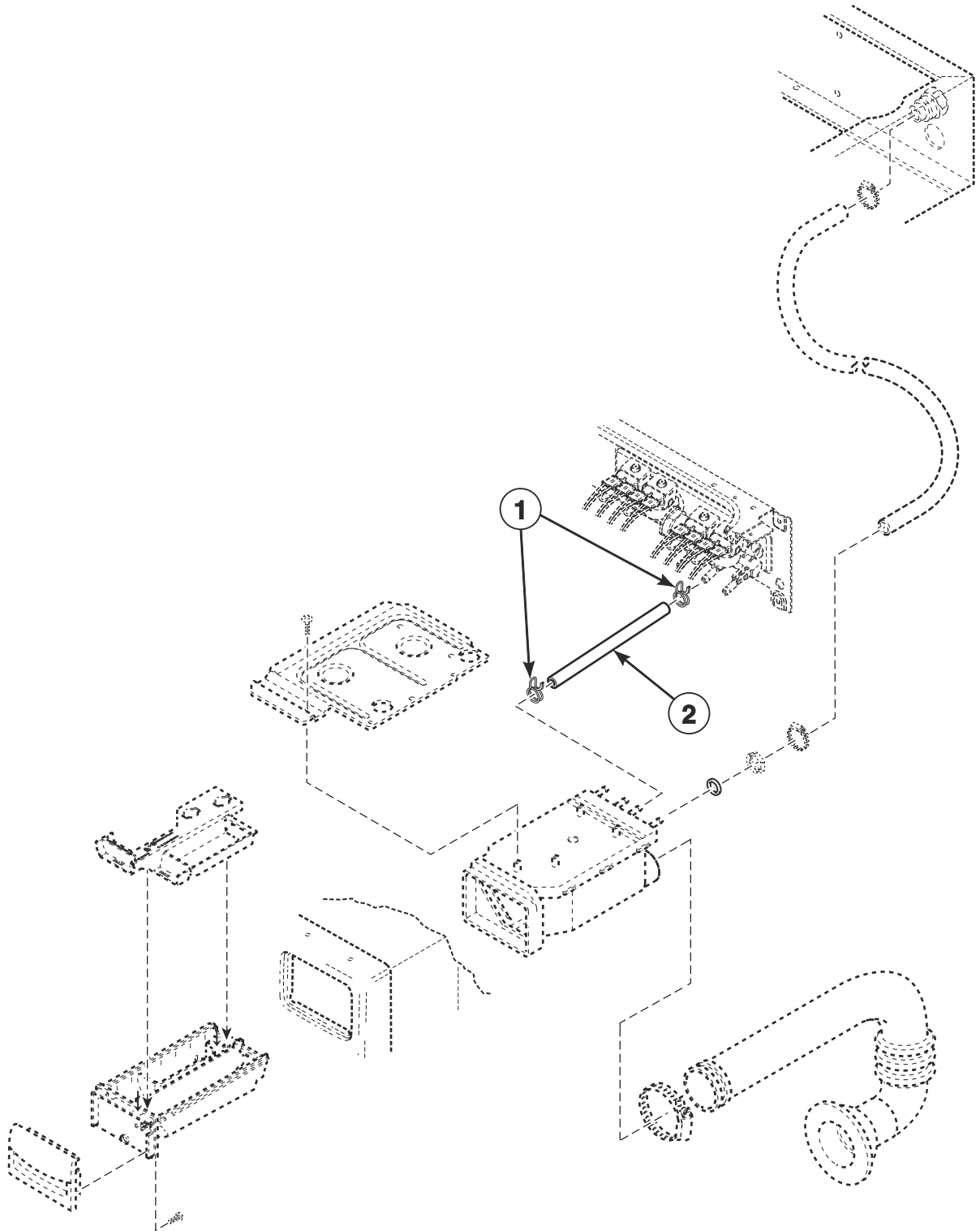


FLW1739P_805863

Front Panel, Door Assembly and Door Seal

REF	PART NO.	DESCRIPTION	COMMENTS
1	803710WP	Outer Door Bezel	White
	803711P	Outer Door Bezel	Gray
	803710BP	Outer Door Bezel	Black
	803710QP	Outer Door Bezel	Bisque
2	800548	Screw	
3	804239	Door Glass Mounting Plate	
4	802695P	Door Glass	
5	685846	Nut	
6	802307P	Inner Door Bezel Kit	White
	802331P	Inner Door Bezel Kit	Gray
	804562P	Inner Door Bezel	Glass filled polypropylene upgrade
7	802803	Door Catch Assembly	
8	801993	Screw	
9	801019	Screw	
10	802934	Door Hinge	
11	23951	Nut	
12	802700	Glass Mounting Clip	
13	56079	Panel Locator	
14	39733	Screw	Use with painted panels
	806086	Screw	Use with stainless steel panels
15	803920	Door Latch Assembly	
16	804784	Door Lock Drip Shield	All models except NF3JLBSP403NN22, NF3JLBSP403NW22, NF3JXASP403NW22, NFNJYASP543NN23, NFNNXASP115MW01, SFNNXRSP543NW23, TF3JXASP403NW22 and TFNJGBSP303NW36
17	802283	Wire Clamp Ring	
18	802281	Hose Clamp	
19	804428P	Door Seal	Black
	804429P	Door Seal Assembly	Gray
20	802285	Extension Spring	
21	802206	Hinge Plate	
22	36020	Nut	
23	D503661	Screw	
24	801045	Screw	
25	804617W	Access Panel Assembly	White
	804617Q	Access Panel Assembly	Bisque
	804618	Access Panel Assembly	Stainless steel
	804617DGP	Access Panel Assembly	Dark gray
26	802277WP	Front Panel	White
	802277QP	Front Panel	Bisque
	802277DG	Front Panel	Dark gray
	802288P	Front Panel	Stainless steel
27	804083WP	Door Assembly	White; Includes items 1-7, 9-12
	804083QP	Door Assembly	Bisque; Includes items 1-7, 9-12
	804210P	Door Assembly	Gray; Includes items 1-7, 9-12
	805550	Door Assembly	Black; Includes items 1-7, 9-12

Dispenser Inlet Hose

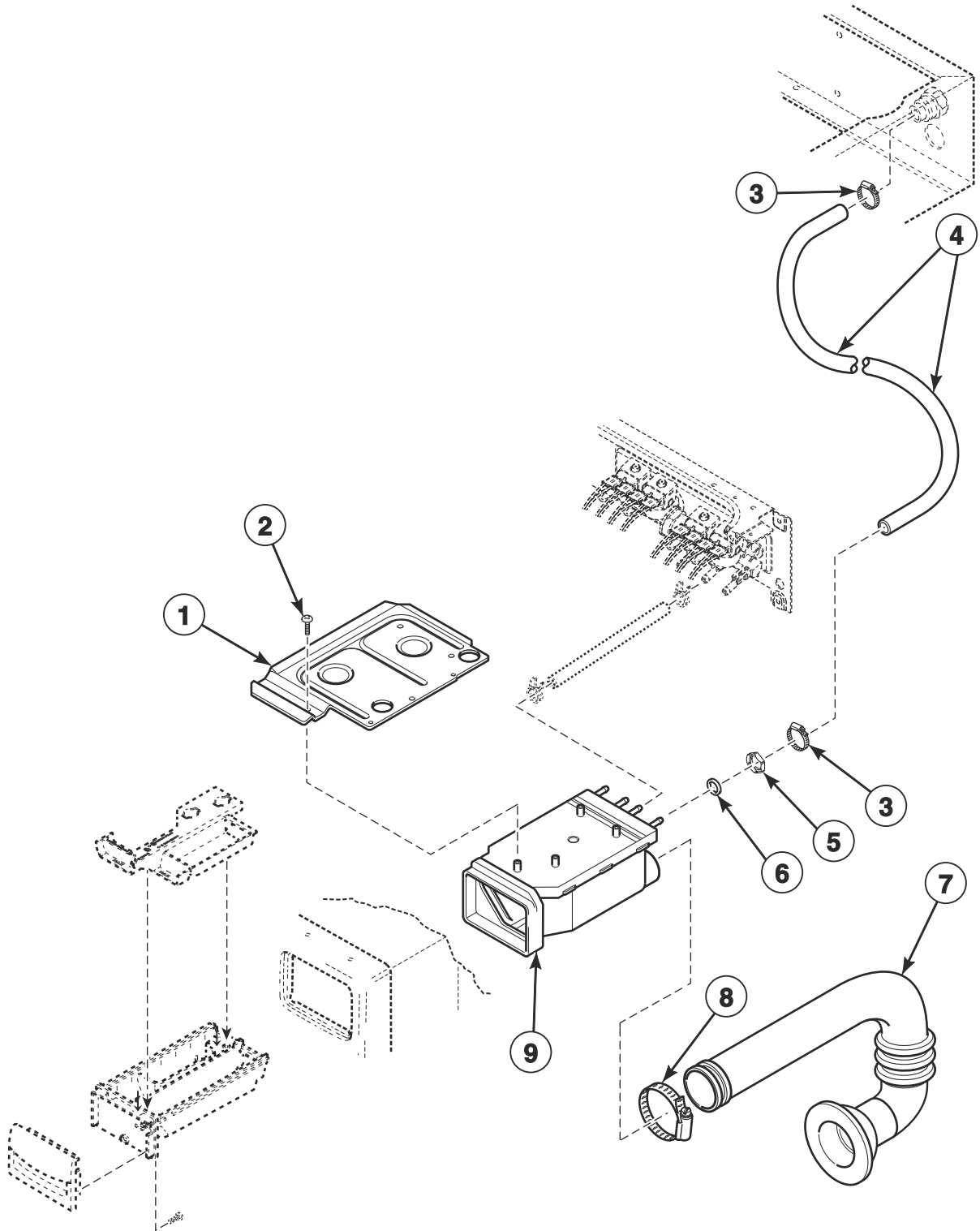


FLW1746P_805863

Dispenser Inlet Hose

REF	PART NO.	DESCRIPTION	COMMENTS
1	804173	Hose Clamp	Through Serial No. 1810000001
	807386	Hose Clamp	Starting Serial No. 1810000001
2	803849	Dispenser Inlet Hose	Through Serial No. 1810000001
	807364	Dispenser Inlet Hose	Models BF3JGBJG403UN06, BF3JGBJG403UW06, BF3JGBJP403UN06, BF3JGBJP403UW06, BF3JGBSG403UN06, BF3JGBSG403UW06, BF3JGBSP403UN06, BF3JGBSP403UW06, BF3JLBSG403UN06, BF3JLBSG403UW06, BF3JLBSP403UN06, BF3JLBSP403UW06, BF3JXASG403UN06, BF3JXASP403UN06, BF3JXASP403UW06, JF3JEASP413EW06, JF3JGASP413EW06, JF3JGBSP413EW06, JF3JMASG413EN06, JF3JMBSG413EN06, JF3JRASP413EW06, JF3JXASP413EW06, JFNJEASG303EW06, JFNJEASP303EW06, JFNJRASP303EW06, JFNJXASG303EW06, JFNJXASP303EW06, NF3JLBSG403UT06, NF3JLBSP403UT06, NF3JXASP403UW06, PF3JGBJG403UG06, PF3JGBJP403UG06, PF3JGBSG403UG06, PF3JGBSP403UG06, PF3JXASG403UG06, PF3JXASP403UG06, PFNJXASG303UG06, PFNJXASP303UG06 and SF3JXASP403EW06 starting Serial No. 1810000001 and continuing through Serial No. 1906000001; Models PFNJXASP304AG01, SFNNXASG303AN12, SFNNXASG303AW12, SFNNXASP303AN01, SFNNXASP303AN12, SFNNXASP303AW01 and SFNNXASP303AW12 starting Serial No. 1810000001 and continuing through Serial No. 1905000001
	806718	Dispenser Inlet Hose	Models BF3JGBJG403UN06, BF3JGBJG403UW06, BF3JGBJP403UN06, BF3JGBJP403UW06, BF3JGBSG403UN06, BF3JGBSG403UW06, BF3JGBSP403UN06, BF3JGBSP403UW06, BF3JLBSG403UN06, BF3JLBSG403UW06, BF3JLBSP403UN06, BF3JLBSP403UW06, BF3JXASG403UN06, BF3JXASP403UN06, BF3JXASP403UW06, JF3JEASP413EW06, JF3JGASP413EW06, JF3JGBSP413EW06, JF3JMASG413EN06, JF3JMBSG413EN06, JF3JRASP413EW06, JF3JXASP413EW06, JFNJEASG303EW06, JFNJEASP303EW06, JFNJRASP303EW06, JFNJXASG303EW06, JFNJXASP303EW06, NF3JLBSG403UT06, NF3JLBSP403UT06, NF3JXASP403UW06, PF3JGBJG403UG06, PF3JGBJP403UG06, PF3JGBSG403UG06, PF3JGBSP403UG06, PF3JXASG403UG06, PF3JXASP403UG06, PFNJXASG303UG06, PFNJXASP303UG06 and SF3JXASP403EW06 starting Serial No. 1906000001; Models PFNJXASP304AG01, SFNNXASG303AN12, SFNNXASG303AW12, SFNNXASP303AN01, SFNNXASP303AN12, SFNNXASP303AW01 and SFNNXASP303AW12 starting Serial No. 1905000001
	807364	Dispenser Inlet Hose	All other models starting Serial No. 1810000001

Dispenser Assembly (Drawing 1 of 2)

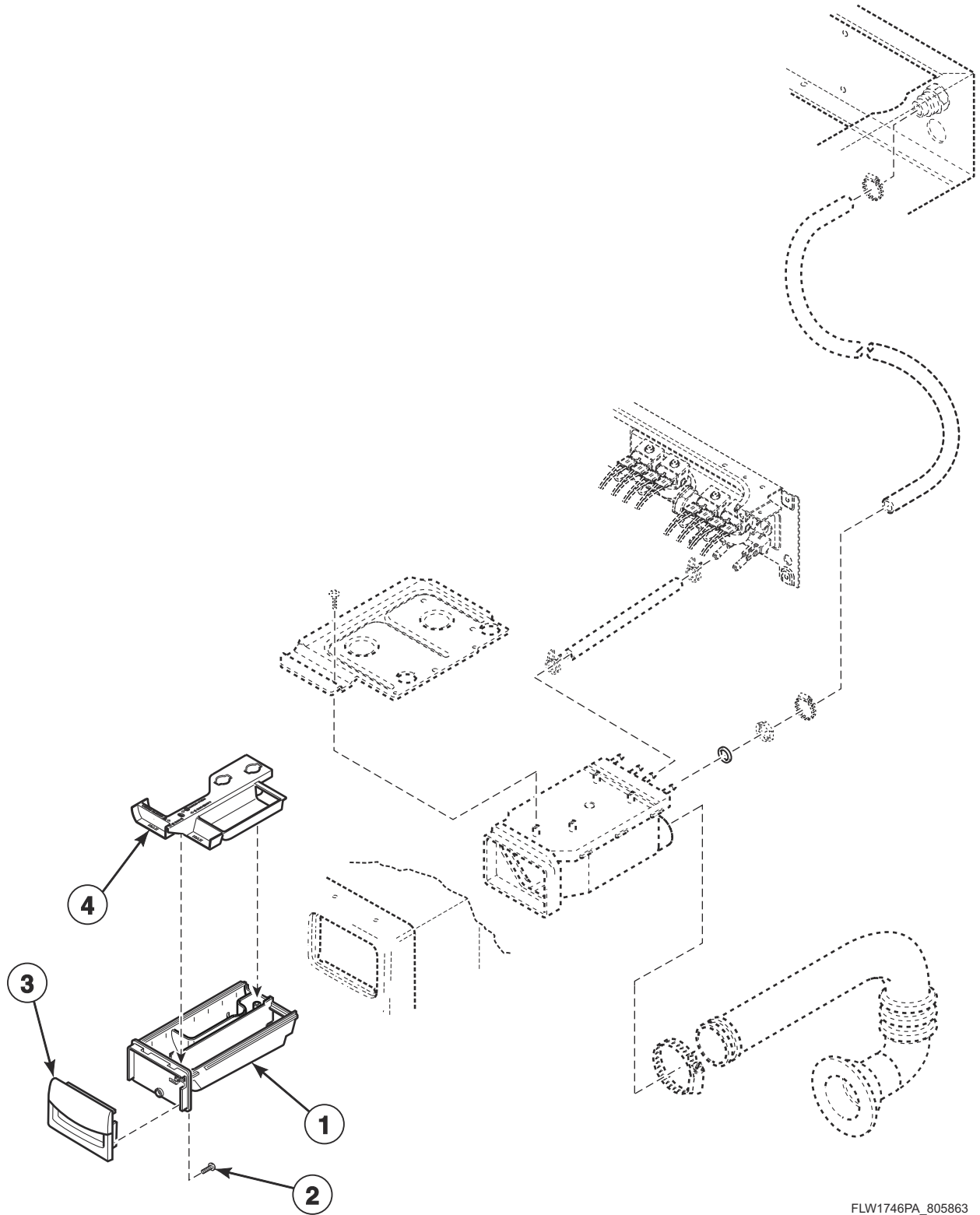


FLW1746PB_805863

Dispenser Assembly (Drawing 1 of 2)

REF	PART NO.	DESCRIPTION	COMMENTS
	804875	Foam Pad	
	805939	Chemical Injection Conversion Kit	Includes 220 Volt/24 Volt transformer
	805938	Chemical Injection Conversion Kit	Includes 110 Volt/24 Volt transformer
1	803843	Dispenser Plate	
2	801001	Screw	
3	F200206	Hose Clamp	Models BF3JGBJG403UN01, BF3JGBJG403UN06, BF3JGBJG403UW01, BF3JGBJG403UW06, BF3JGBJP403UN01, BF3JGBJP403UN06, BF3JGBJP403UW01, BF3JGBJP403UW06, PF3JGBJG403UG06, PF3JGBJP403UG06, SF3JGBJG403UW01 and SF3JGBJP403UW01
4	801635	Tubing	Models BF3JGBJG403UN01, BF3JGBJG403UN06, BF3JGBJG403UW01, BF3JGBJG403UW06, BF3JGBJP403UN01, BF3JGBJP403UN06, BF3JGBJP403UW01, BF3JGBJP403UW06, PF3JGBJG403UG06, PF3JGBJP403UG06, SF3JGBJG403UW01 and SF3JGBJP403UW01
5	802292	Nut	Models BF3JGBJG403UN01, BF3JGBJG403UN06, BF3JGBJG403UW01, BF3JGBJG403UW06, BF3JGBJP403UN01, BF3JGBJP403UN06, BF3JGBJP403UW01, BF3JGBJP403UW06, PF3JGBJG403UG06, PF3JGBJP403UG06, SF3JGBJG403UW01 and SF3JGBJP403UW01
6	801632	O-Ring	Models BF3JGBJG403UN01, BF3JGBJG403UN06, BF3JGBJG403UW01, BF3JGBJG403UW06, BF3JGBJP403UN01, BF3JGBJP403UN06, BF3JGBJP403UW01, BF3JGBJP403UW06, PF3JGBJG403UG06, PF3JGBJP403UG06, SF3JGBJG403UW01 and SF3JGBJP403UW01
7	804717	Detergent Hose	
8	685725	Hose Clamp	
9	803698	Dispenser Assembly	

Dispenser Assembly (Drawing 2 of 2)

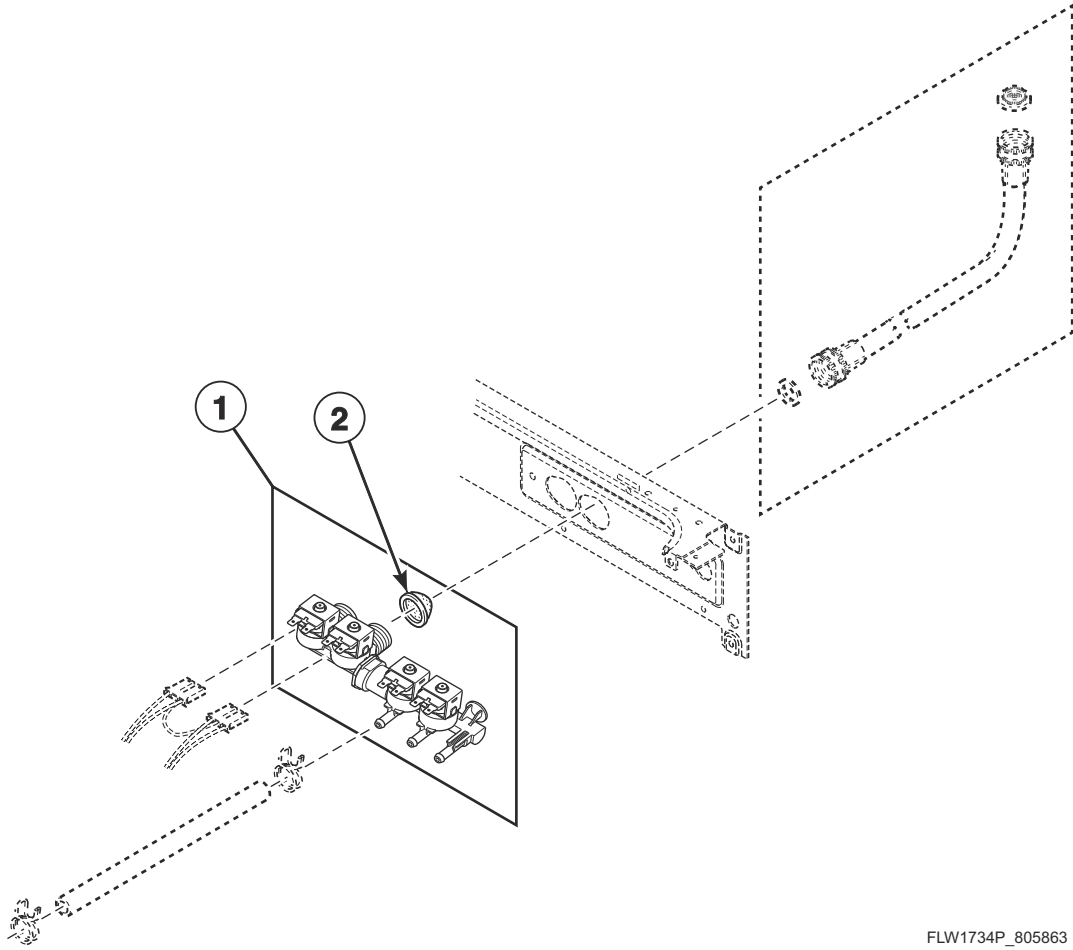


FLW1746PA_805863

Dispenser Assembly (Drawing 2 of 2)

REF	PART NO.	DESCRIPTION	COMMENTS
1	803667	Dispenser Drawer	
2	800548	Screw	
3	804526	Dispenser Handle	Light gray; Models PF3JGBJG403UG06, PF3JGBJP403UG06, PF3JGBSG403UG06, PF3JGBSP403UG06, PF3JXASG403UG06, PF3JXASP403UG06, PFN3JXASG303UG06 and PFN3JXASP303UG06; Through Serial No.1909999999
	804415W	Dispenser Handle	White; Models BF3JGBJG403UW06, BF3JGBJP403UW06, BF3JGBSG403UW06, BF3JGBSP403UW06, BF3JLBSG403UW06, BF3JLBSP403UW06, BF3JXASG403UW06, JF3JEASP413EW06, JF3JGASP413EW06, JF3JGBSP413EW06, JF3JRASP413EW06, JF3JXASP413EW06, JFNJEASG303EW06, JFNJEASP303EW06, JFNJRASP303EW06, JFNJXASG303EW06, JFNJXASP303EW06, NF3JLBSG403UT06, NF3JLBSP403UT06, NF3JXASG403UW06, SF3JGBJG403UW01, SF3JGBJP403UW01, SF3JGBSP403UW01 and SF3JXASP403EW06; Through Serial No.1909999999
	804415B	Dispenser Handle	Black; Models BF3JGBJG403UN06, BF3JGBJP403UN06, BF3JGBSG403UN06, BF3JGBSP403UN06, BF3JLBSG403UN06, BF3JLBSP403UN06, BF3JXASG403UN06, BF3JXASP403UN06, JF3JMASG413EN06, JF3JMBSG413EN06 and SF3JXASG403UN01; Through Serial No.1909999999
	804228	Dispenser Handle	Light gray; Model PFN3JXASP304AG01; Models PF3JGBJG403UG06, PF3JGBJP403UG06, PF3JGBSG403UG06, PF3JGBSP403UG06, PF3JXASG403UG06, PF3JXASP403UG06, PFN3JXASG303UG06 and PFN3JXASP303UG06 starting Serial No. 1910000001
	804227WP	Dispenser Handle	White; All other models; Models BF3JGBJG403UW06, BF3JGBJP403UW06, BF3JGBSG403UW06, BF3JGBSP403UW06, BF3JLBSG403UW06, BF3JLBSP403UW06, BF3JXASG403UW06, JF3JEASP413EW06, JF3JGASP413EW06, JF3JGBSP413EW06, JF3JRASP413EW06, JF3JXASP413EW06, JFNJEASG303EW06, JFNJEASP303EW06, JFNJRASP303EW06, JFNJXASG303EW06, JFNJXASP303EW06, NF3JLBSG403UT06, NF3JLBSP403UT06, NF3JXASG403UW06, SF3JGBJG403UW01, SF3JGBJP403UW01, SF3JGBSP403UW01 and SF3JXASP403EW06 starting Serial No.1910000001
	804227B	Dispenser Handle	Black; All other models; Models BF3JGBJG403UN06, BF3JGBJP403UN06, BF3JGBSG403UN06, BF3JGBSP403UN06, BF3JLBSG403UN06, BF3JLBSP403UN06, BF3JXASG403UN06, BF3JXASP403UN06, JF3JMASG413EN06, JF3JMBSG413EN06 and SF3JXASG403UN01 starting Serial No. 1910000001
4	803669	Compartment Cover	

Mixing Valve

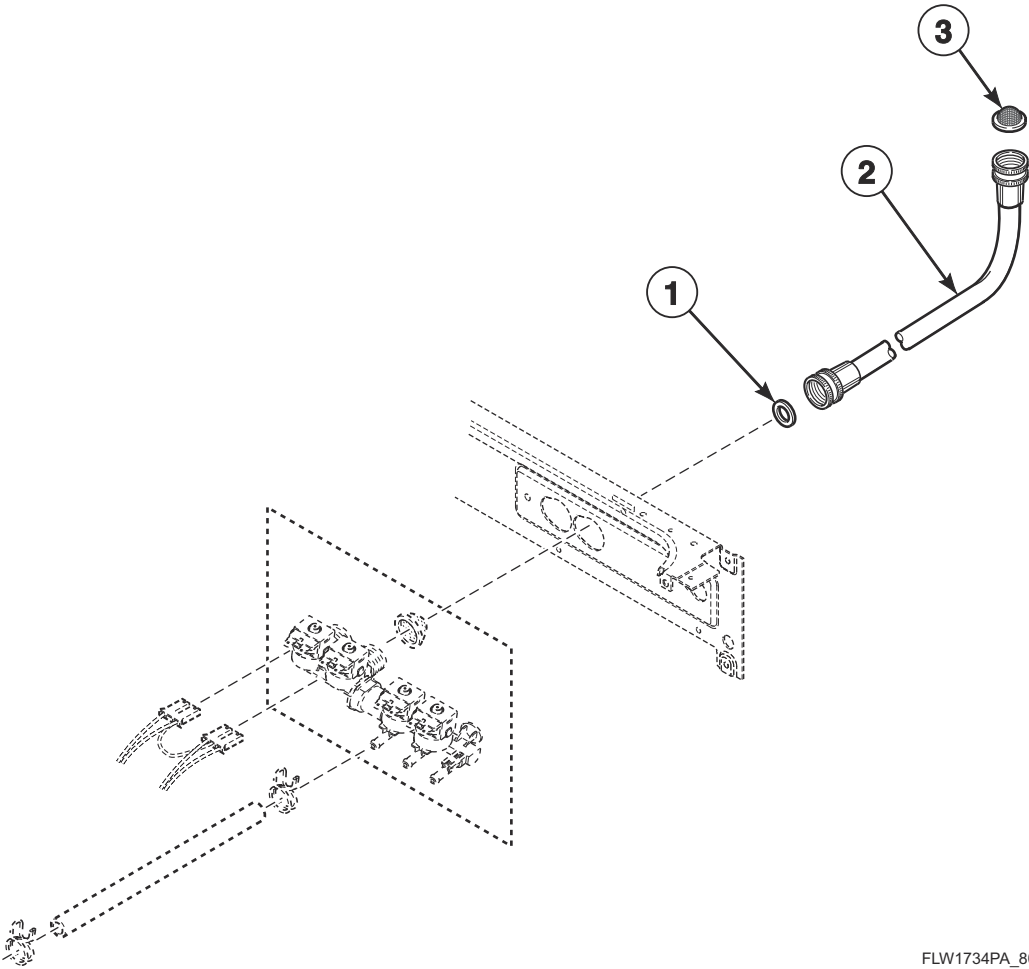


FLW1734P_805863

Mixing Valve

REF	PART NO.	DESCRIPTION	COMMENTS
	804783	Mixing Valve Shield	All models except NF3JLBSP403NN22, NF3JLBSP403NW22, NF3JXASP403NW22, NFNJXASP543NN23, NFNJYASP543NN23, NFNNXASP115MW01, SFNNXRSP543NW23, TF3JXASP403NW22 and TFNJGBSP303NW36
1	806509P	Mixing Valve	100-127 Volt; GHT thread; Models HFNNXASP123DW01, NFNNXASP115MW01, SFNNXASG113JW01, SFNNXASP123DW01 and SFNNZASP113NW22
	806611P	Mixing Valve	100-127 Volt; BSPP thread; Models SFNNXASG103JW01 and SFNNXASG113JW01; Starting Serial No. 1810000001
	806510P	Mixing Valve	220-240 Volt; GHT thread; Models HFNNXASP543DW01 and SFNNXASP543DW01; Starting Serial No. 1810000001
	806612P	Mixing Valve	220-240 Volt; BSPP thread; All other models; Starting Serial No. 1810000001
2	24122	Mixing Valve Screen	

Fill Hose

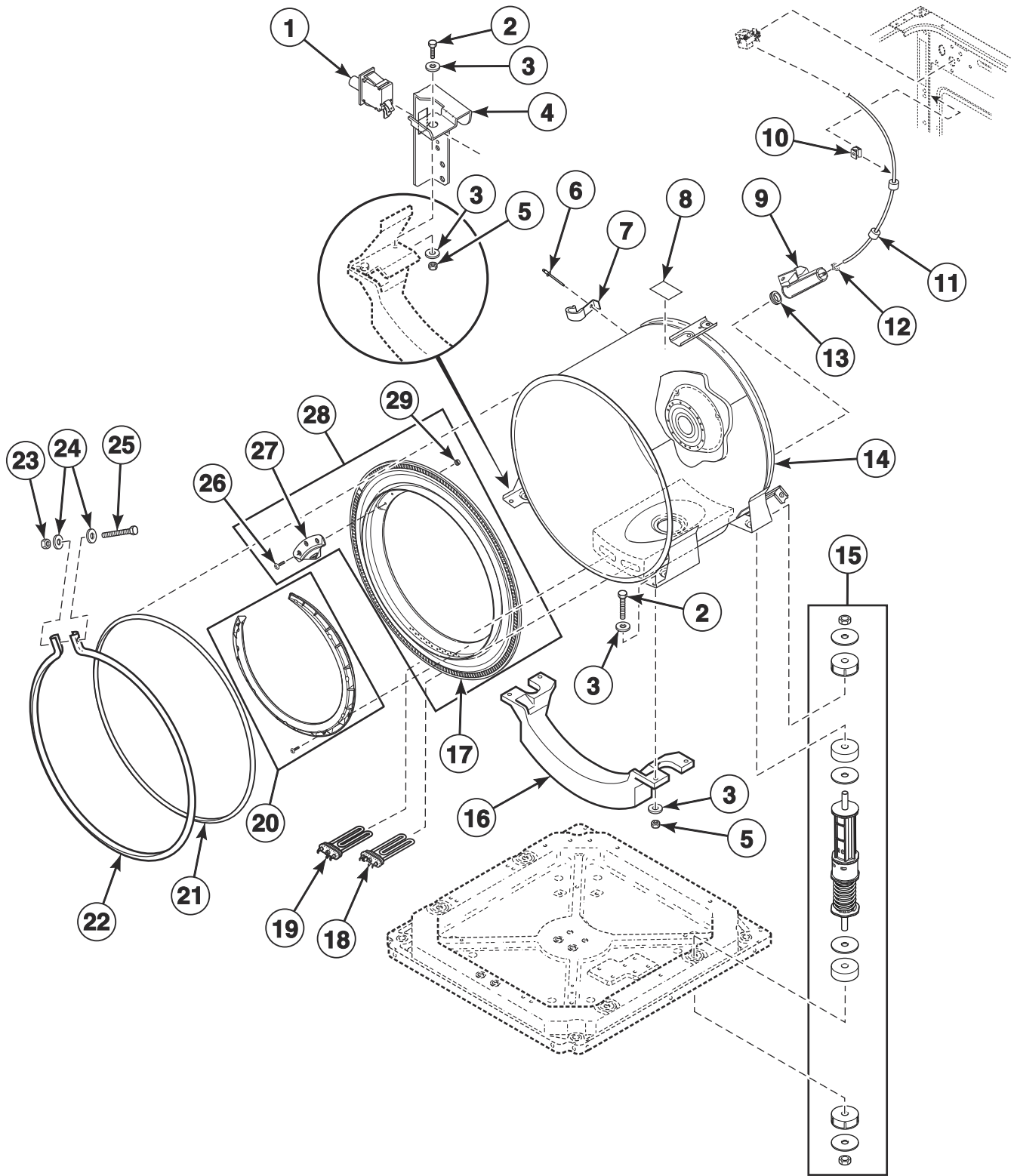


FLW1734PA_805863

Fill Hose

REF	PART NO.	DESCRIPTION	COMMENTS
1	20290	Washer	
2	203719	Fill Hose	4 feet; Marked for hot water; 2 GHT thread hose couplings
	203720	Fill Hose	4 feet; Marked for cold water; 2 GHT thread hose couplings
	203718	Fill Hose	4 feet; Marked for hot water; 1 GHT thread and 1 BSPP thread coupling
	203750	Fill Hose	4 feet; Marked for cold water; 1 GHT thread and 1 BSPP thread coupling
	204102	Fill Hose	4 feet; Marked for hot water; 2 BSPP thread hose couplings
	204103	Fill Hose	4 feet; Marked for cold water; 2 BSPP thread couplings
3	803615	Washer	Filter screen
	802254	Washer	Flow restrictor; Water pressure reducer; Available for water pressure up to but not exceeding 120 psi

Outer Tub, Clamp Ring and Shock Absorbers

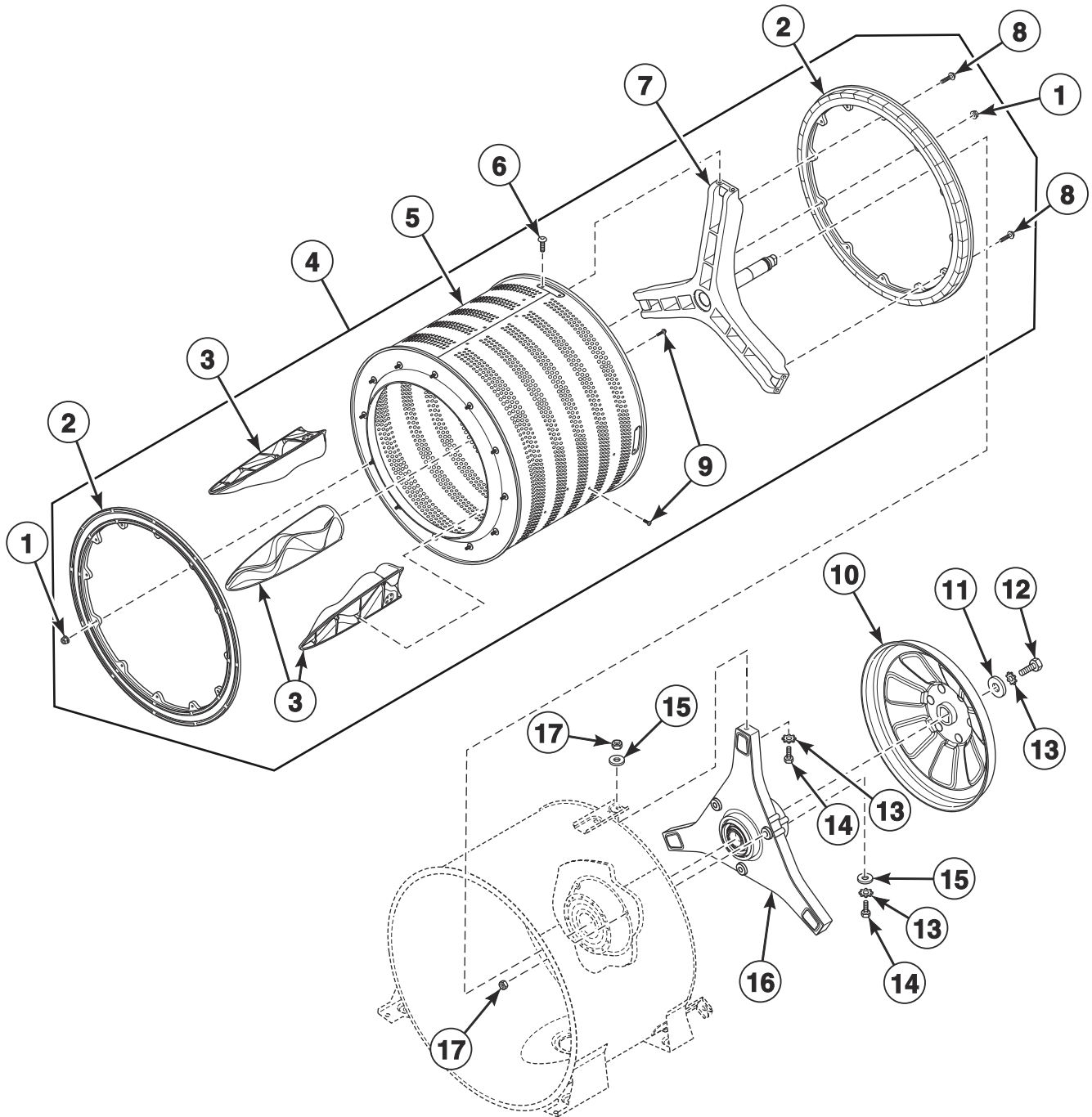


FLW1810P_805863

Outer Tub, Clamp Ring and Shock Absorbers

REF	PART NO.	DESCRIPTION	COMMENTS
1	803415	Out-of-Balance Switch Assembly	
2	800461	Screw	
3	804458	Washer	
4	804457	Out-of-Balance Switch Bracket	
5	800452	Nut	
6	685847	Pop Rivet	
7	800553	Hose Clip	
8	D500049	Warning Label	
9	803837	Pressure Bulb	
10	36985	Hose Clip	
11	804769	Pressure Sensor Tube Assembly	Models with heater
	804483	Pressure Sensor Tube Assembly	Models without heater
12	803891	Hose Clamp	
13	29175	Grommet	
14	803865	Outer Tub Assembly	Models with heater; Through Serial No. 1910999999 except Serial Nos. 1908066087 to 1909000879
	803864	Outer Tub Assembly	Models without heater; Through Serial No. 1910999999 except Serial Nos. 1908066087 to 1909000879
	807619	Outer Tub Assembly	Models with heater; Serial Nos. 1908066087 to 1909000879 and starting Serial No. 1911000001
	807618	Outer Tub Assembly	Models without heater; Serial Nos. 1908066087 to 1909000879 and starting Serial No. 1911000001
15	803777P	Shock Assembly	Must replace all 4
16	803810	Counterweight	
17	803770	Tub Front	
18	804777P	Heating Element	Includes thermistor; Models with heater
19	804778P	Heating Element	Models with heater
20	806308	Foreign Object Deflector	Black; Includes screws
	806313	Foreign Object Deflector	Gray; Includes screws
	806361	Foreign Object Deflector	Tall; Gray; Includes screws
21	803801	Tub Front Seal	
22	803802	Clamp Ring	
23	F430218	Nut	
24	M400081	Washer	8 required
25	800462	Screw	
26	802596	Screw	
27	804467	Clothes Guard Deflector	
	805548	Clothes Guard Deflector	Heavy duty
28	803879	Tub Front Assembly	Includes items 17, 20, 26, 27 and 29
29	802343	Nut	

Inner Basket, Trunnion, Bearing Housing and Pulley

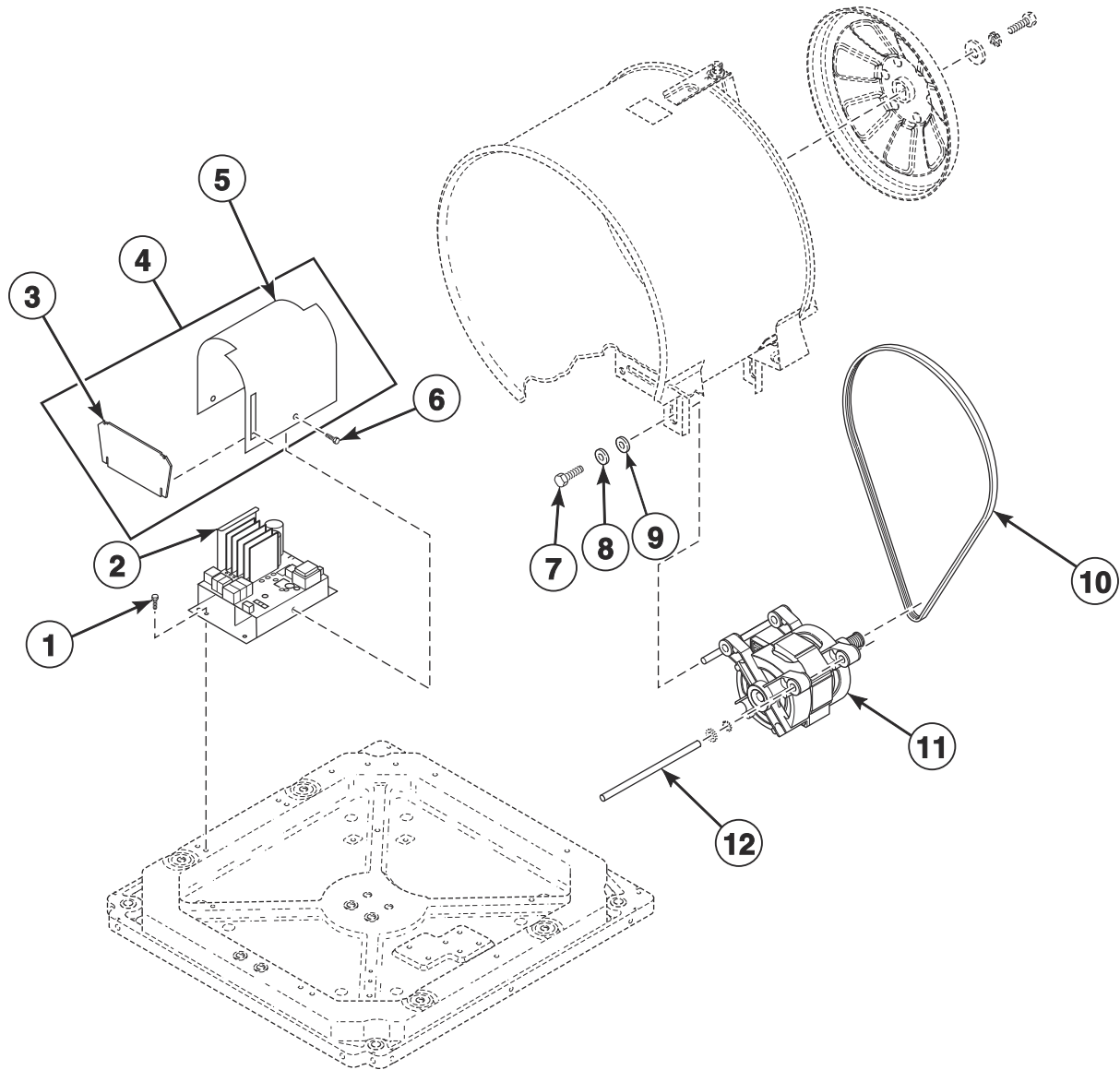


FLW1803P_805863

Inner Basket, Trunnion, Bearing Housing and Pulley

REF	PART NO.	DESCRIPTION	COMMENTS
	27604P	Anti-Seize Compound	Pulley to inner basket shaft
	805730	Bearing Kit	
1	804418	Nut	
2	804393	Balance Ring Assembly	
3	804382	Lifter	
4	805485	Inner Basket Assembly	Models SFNNXASG303AN12, SFNNXASG303AW12, SFNNXASP303AN12 and SFNNXASP303AW12
	804376P	Inner Basket Assembly Kit	All other models
5	804374P	Inner Basket Assembly	
6	804699	Screw	
7	806831	Trunnion Kit	Includes hardware; Models SFNNXASG303AN12, SFNNXASG303AW12, SFNNXASP303AN12 and SFNNXASP303AW12
	804405P	Trunnion Shaft Kit	Includes hardware; All other models
8	804399	Screw	
9	800548	Screw	
10	803974	Pulley Assembly	
11	807679	Washer	
12	685831	Screw	Left hand thread
13	M403958	Washer	Used on models through Serial No. 1609046805
14	M400043	Screw	
15	800457	Washer	
16	805525	Bearing Housing Kit	Includes hardware and tool
17	800452	Nut	

Motor and Belt



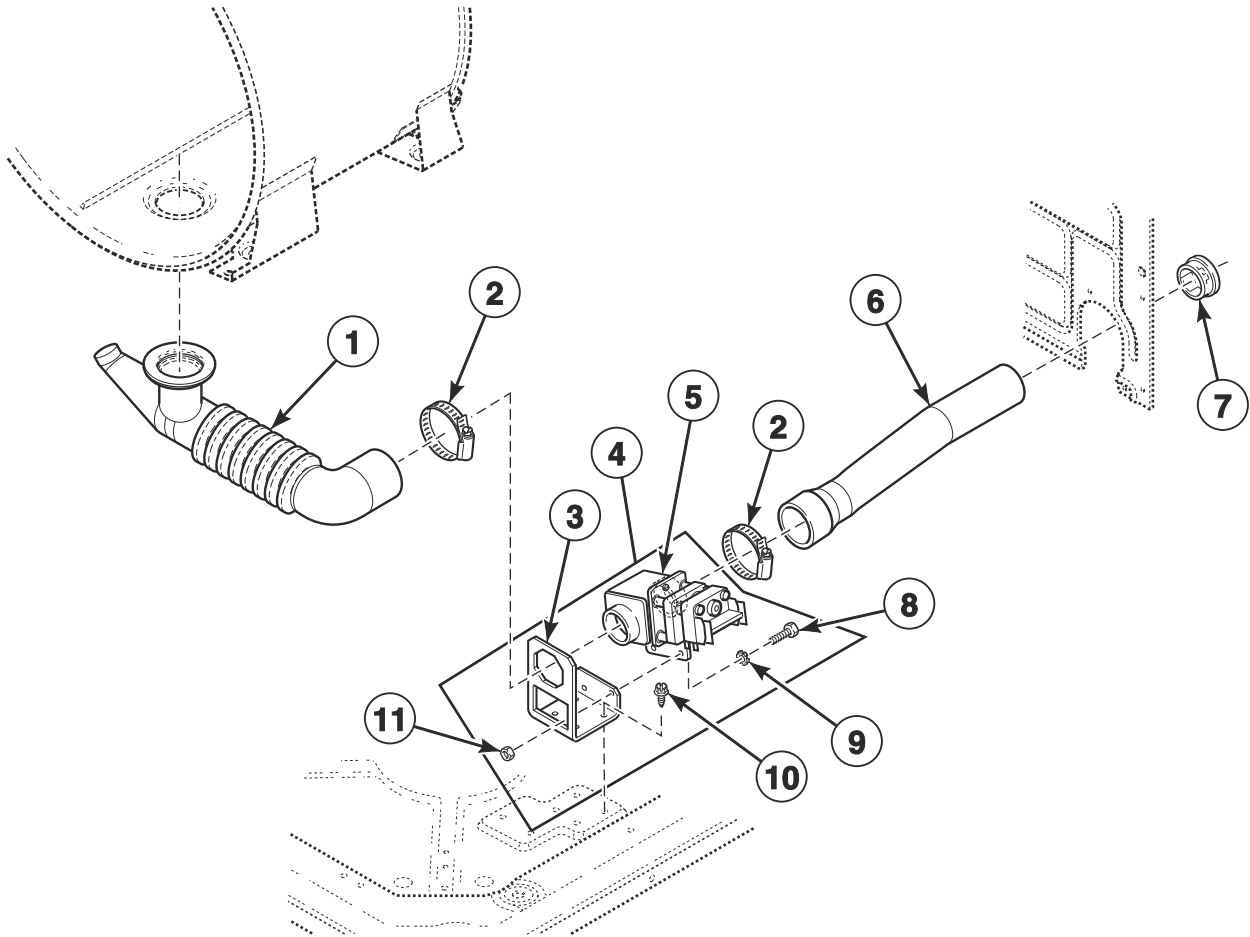
FLW1794P_805863

Motor and Belt

REF	PART NO.	DESCRIPTION	COMMENTS
1	D503661	Screw	
2	807175P	Inverter Control Assembly	
3	806258	End Shield	All models except NF3JLBSP403NN22, NF3JLBSP403NW22, NF3JXASP403NW22, NFNJXASP543NN23, NFNJYASP543NN23, NFNNXASP115MW01, SFNNXRSP543NW23, TF3JXASP403NW22 and TFNJGBSP303NW36
4	806498	Motor Control Shield	Includes items 3 and 5; All models except NF3JLBSP403NN22, NF3JLBSP403NW22, NF3JXASP403NW22, SFNNXRSP543NW23, TF3JXASP403NW22 and TFNJGBSP303NW36
5	804878	Motor Control Shield	
6	D501524	Screw	
7	M400057	Screw	
8	02834	Washer	
9	M400080	Washer	
10	804985	Drive Belt	Through Serial No. 1910999999 except Serial Nos. 1908066087 to 1909000879
	807429	Belt	Serial Nos. 1908066087 to 1909000879 and starting Serial No. 1911000001
11	805726P	Motor and Rod Assembly Kit	Includes item 12
12	803861	Motor Rod	

Drain Hoses and Valve

Gravity Drain Models



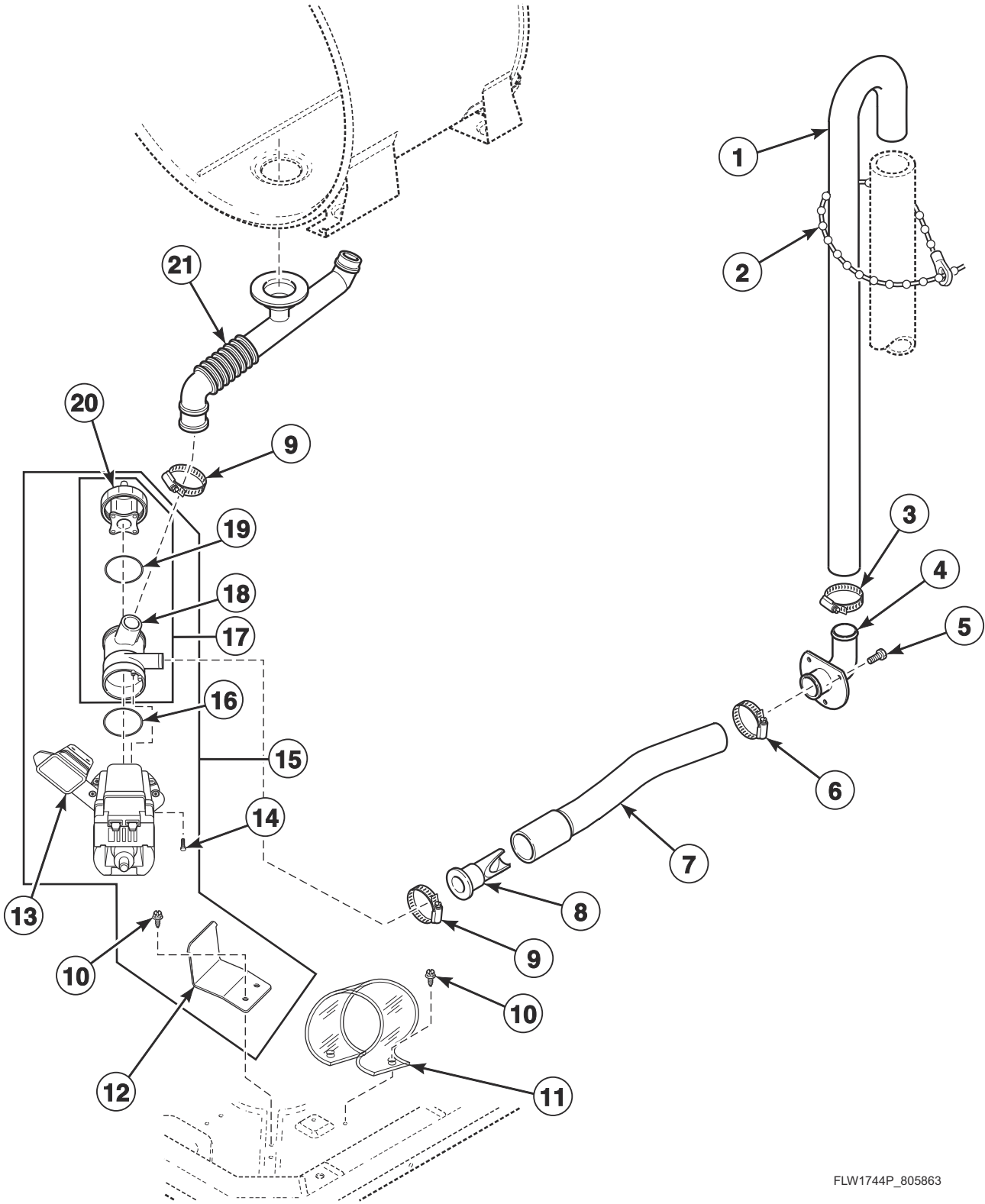
FLW1745P_805863

Drain Hoses and Valve

REF	PART NO.	DESCRIPTION	COMMENTS
1	803873	Tub-to-Drain Hose	Models BF3JGBJG403UN01, BF3JGBJG403UN06, BF3JGBJG403UW01, BF3JGBJG403UW06, BF3JGBSG403UN01, BF3JGBSG403UN06, BF3JGBSG403UW01, BF3JGBSG403UW06, BF3JLBSG403UN01, BF3JLBSG403UN06, BF3JLBSG403UW01, BF3JLBSG403UW06, BF3JXASG403UN01, BF3JXASG403UN06, JF3JMASG413EN06, JF3JMBSG413EN06, NF3JLBSG403UN01, NF3JLBSG403UT01, NF3JLBSG403UT06, NF3JXASG403UN01, NF3JXASG403UW01, NF3JYASG403UW01, PF3JGBJG403UG06, PF3JGBSG403UG06, PF3JXASG403UG06, SF3JGBJG403UW01 and SF3JXASG403UN01
	803874	Tub-to-Gravity Drain Hose	All other models
	27615P	Sealant	Tub-to-drain hose to outer tub
2	685725	Hose Clamp	
3	803291	Gravity Drain Bracket	
4	F975P3	Drain Valve Kit	120 Volt; Includes items 3, 5 and 8-11; Models SFNNXASG103JW01 and SFNNXASG113JW01
	F976P3	Drain Valve Kit	240 Volt; Includes items 3, 5 and 8-11; All other models
5	803293	Drain Valve	120 Volt; Models SFNNXASG103JW01 and SFNNXASG113JW01
	803292	Gravity Drain Valve	240 Volt; All other models
6	800903	Drain-to-Cabinet Hose	
7	D503235	Snap Bushing	
8	02916	Screw	
9	M400017	Washer	
10	D503661	Screw	
11	29786	Nut	

Drain Hose and Pump

Pump Models

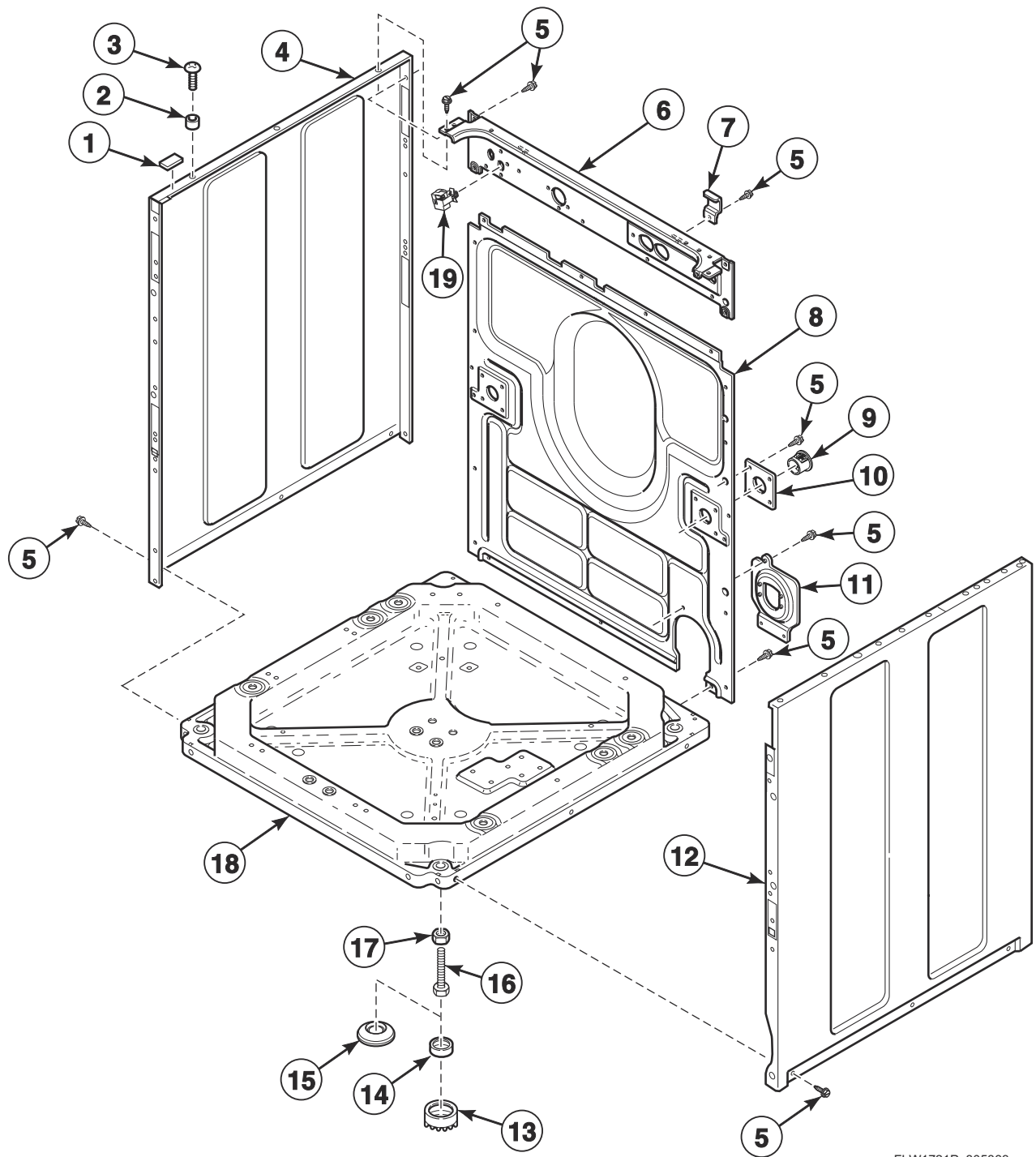


FLW1744P_805863

Drain Hose and Pump

REF	PART NO.	DESCRIPTION	COMMENTS
	805771	Pump-to-Gravity Drain Kit	120 Volt; Models NFNNXASP115MW01 and SFNNZASP113NW22
	805770	Pump-to-Gravity Drain Kit	240 Volt; All other models
1	27154	Drain Hose	
2	33489	Standpipe Strap	
3	20211	Hose Clamp	
4	35766	Drain Hose Elbow	
5	52909	Screw	
6	20391	Hose Clamp	
7	803734	Pump-to-Elbow Hose	
8	800310	Backflow Preventer	
9	F200204	Hose Clamp	
10	D503661	Screw	
11	805561	Drain Pump Drip Shield	All models except NF3JLBSP403NN22, NF3JLBSP403NW22, NF3JXASP403NW22, NFNJXASP543NN23, NFNJYASP543NN23, SFNNXRSP543NW23, TF3JXASP403NW22 and TFNJGBSP303NW36
12	803814	Drain Base Bracket	
13	803815	Drain Pump Isolator	
14	802431	Screw	
15	805722P	Drain Pump Assembly	208-240 Volt/60 Hertz; Includes items 12-14 and 16-20; Models HFNNXASP543DW01, NFNJXASP543NN23, NFNJYASP543NN23, PFNJPASP543ZG01, SFNNXASP543DW01 and SFNNXASP543RW01
	805724P	Drain Pump Assembly	120 Volt/60 Hertz; Includes items 12-14 and 16-20; Models NFNNXASP115MW01 and SFNNZASP113NW22
	805724P	Drain Pump Assembly	100-127 Volt/60 Hertz; Includes items 12-14 and 16-20; Models HFNNXASP123DW01 and SFNNXASP123DW01
	803922	Drain Pump Assembly	220-240 Volt/50 Hertz; Includes items 12-14 and 16-20; All other models
16	802429P	O-Ring	
17	802434P	Pump Housing Assembly	Includes items 18-20
18	802428	Pump Housing	
19	802427	Gasket	
20	802426P	Lid Assembly	Includes filter
21	803816	Tub-to-Pump Hose	Models with heater
	803829	Tub-to-Pump Hose	Models without heater
	27615P	Sealant	Tub-to-pump hose to outer tub

Side, Base and Rear Panels



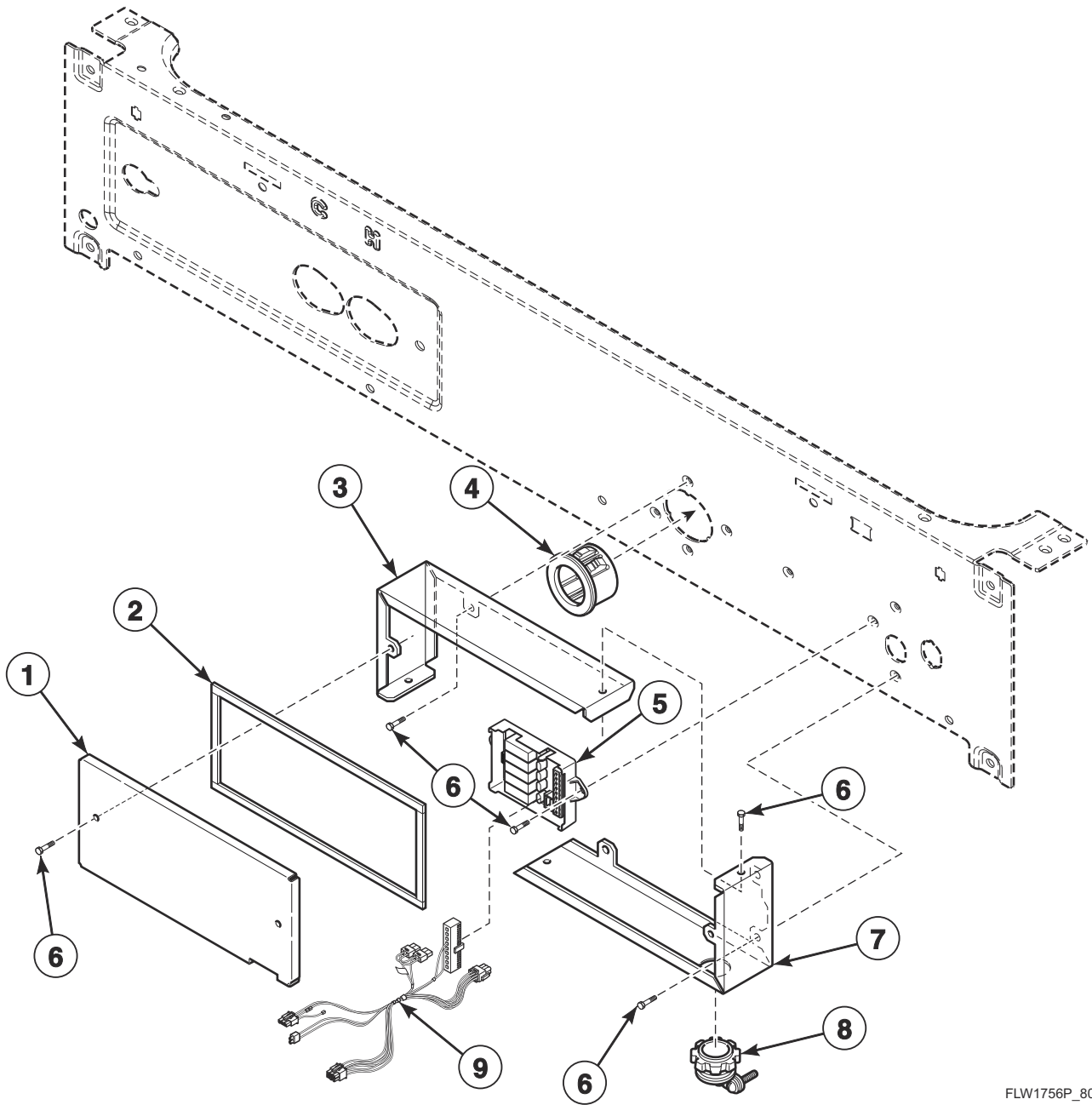
FLW1721P_805863

Side, Base and Rear Panels

REF	PART NO.	DESCRIPTION	COMMENTS
	122P4P	Porcelain Touch-Up Paint	White
	370P4P	Porcelain Touch-Up Paint	Bisque
	806436P	Paint	Dark gray
1	36226	Bumper Pad	
2	56079	Panel Locator	
3	39733	Screw	
4	800004WP	Cabinet Panel Kit	White; Left; Includes corner gusset with hardware
	800004QP	Cabinet Panel Kit	Bisque; Left; Includes corner gusset with hardware
	800004DG	Cabinet Side Panel	Dark gray; Left
5	D503661	Screw	
6	803790	Rear Panel	Fixed; Through Serial No. 1810000001
	806716	Rear Panel	Fixed; Starting Serial No. 1810000001
7	D510136	Top Hinge	
8	803789	Rear Panel	Removable
9	803859	Shipping Plug	
10	803851	Shipping Plate	
11	803833	Gravity Drain Bracket	Models BF3JGBJG403UN01, BF3JGBJG403UN06, BF3JGBJG403UW01, BF3JGBJG403UW06, BF3JGBSG403UN01, BF3JGBSG403UN06, BF3JGBSG403UW01, BF3JGBSG403UW06, BF3JLBSG403UN01, BF3JLBSG403UN06, BF3JLBSG403UW01, BF3JLBSG403UW06, BF3JXASG403UN01, BF3JXASG403UN06, JF3JMASG413EN06, JF3JMBSG413EN06, JFNJEASG303EW06, JFNJXASG303EW06, NF3JLBSG403UN01, NF3JLBSG403UT01, NF3JLBSG403UT06, NF3JXASG403UN01, NF3JXASG403UW01, NF3JYASG403UW01, PF3JGBJG403UG06, PF3JGBSG403UG06, PF3JXASG403UG06, PFN3JXASG303UG06, PFN3JXASG543ZG01, SF3JGBJG403UW01, SF3JXASG403UN01, SFN3XASG103JW01, SFN3XASG113JW01, SFN3XASG303AN12 and SFN3XASG303AW12
	803828	Drain Hose Bracket	All other models
12	800005DG	Cabinet Side Panel	Dark gray; Right
	806492	Side Panel Kit	White; Right
	800005QP	Side Panel Kit	Bisque; Right
13	D501855	Rubber Foot	Use to prevent movement on smooth surface floor coverings; Install over 2 existing front rubber feet (item 14)
14	34318	Rubber Foot	
15	155P3	Anchor	Includes 4 rubber discs with adhesive backing
	802844P	Anchor Floor Mount Assembly	Includes 2 rubber discs with adhesive backing
16	34319	Leveling Leg	
17	21899	Nut	
18	803876	Base Assembly	
19	203843	Pressure Sensor	

Junction Box

Models BF3JGBJG403UN01, BF3JGBJG403UN06, BF3JGBJG403UW01, BF3JGBJG403UW06, BF3JGBJP403UN01, BF3JGBJP403UN06, BF3JGBJP403UW01, BF3JGBJP403UW06, PF3JGBJG403UG06, PF3JGBJP403UG06, SF3JGBJG403UW01 and SF3JGBJP403UW01



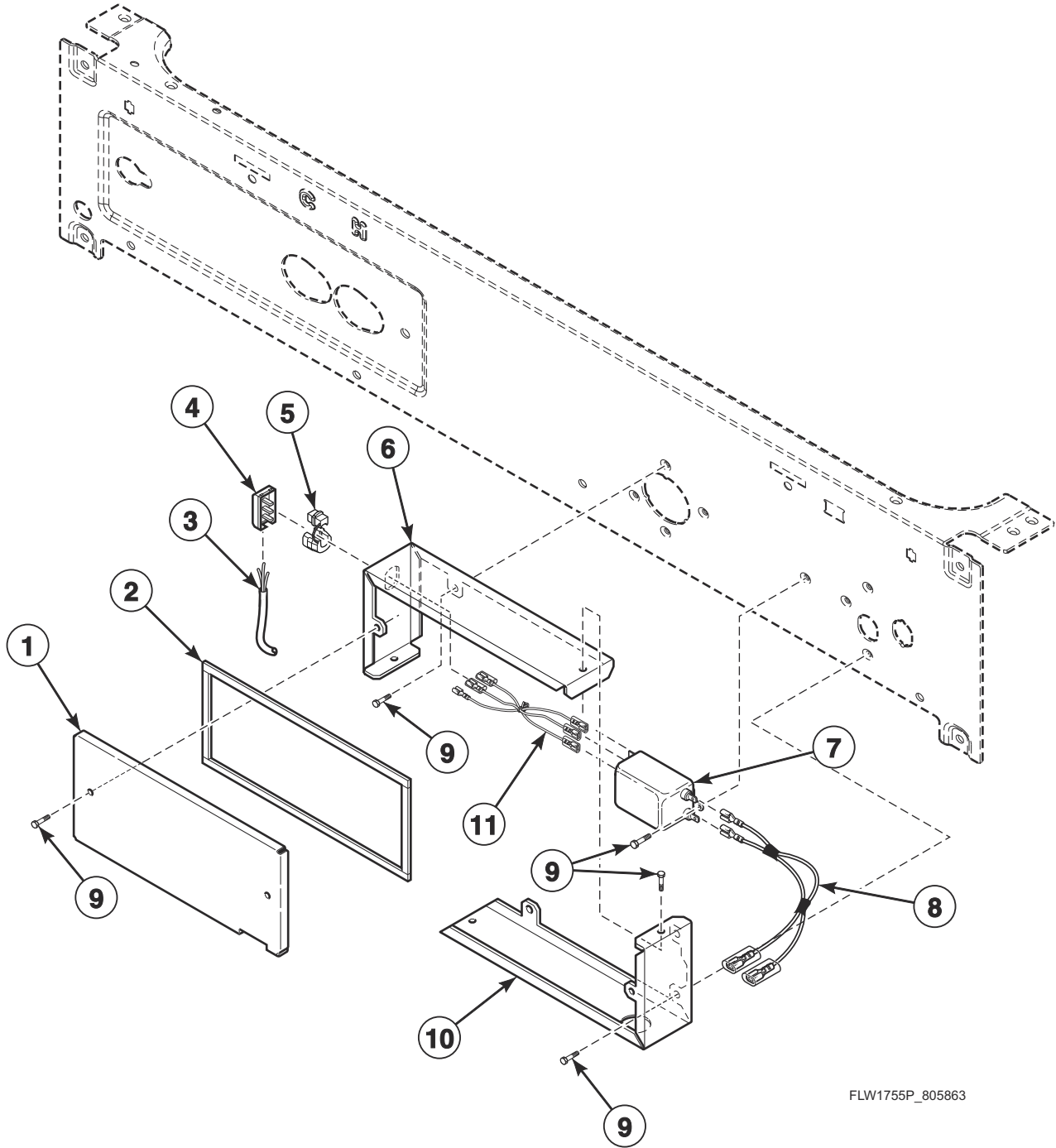
FLW1756P_805863

Junction Box

REF	PART NO.	DESCRIPTION	COMMENTS
1	803820	Junction Box Cover	
2	803832P	Junction Box Seal	
3	803827	Junction Box	Upper
4	M402542	Snap Bushing	
5	804528	Chemical Injection Control	
6	D503661	Screw	
7	804561	Junction Box	Lower
8	M400149	Connector	
9	804799	Supply Injection Wire Harness Assembly	

Junction Box and Power Cord

Models HFNNXASP123DW01, HFNNXASP543DW01, JFNJEASG303EW06, JFNJEASP303EW06, JFNJRASP303EW06, JFNJXASG303EW06, JFNJXASP303EW06, NFNJXASP543NN23, NFNJYASP543NN23, NFNNXASP303ZW01, NFNWXASP303LN01, PFNJXASG303UG06, PFNJXASG543ZG01, PFNJXASP303UG06, PFNJXASP304AG01, PFNJXASP543ZG01, SFNNXASG103JW01, SFNNXASG113JW01, SFNNXASG303AN12, SFNNXASG303AW12, SFNNXASP123DW01, SFNNXASP303AN01, SFNNXASP303AN12, SFNNXASP303AW01, SFNNXASP303AW12, SFNNXASP303BW01, SFNNXASP303NN26, SFNNXASP543DW01, SFNNXASP543RW01, SFNNXRSP543NW23, SFNWXASP303LW01 and TFNJGBSP303NW36

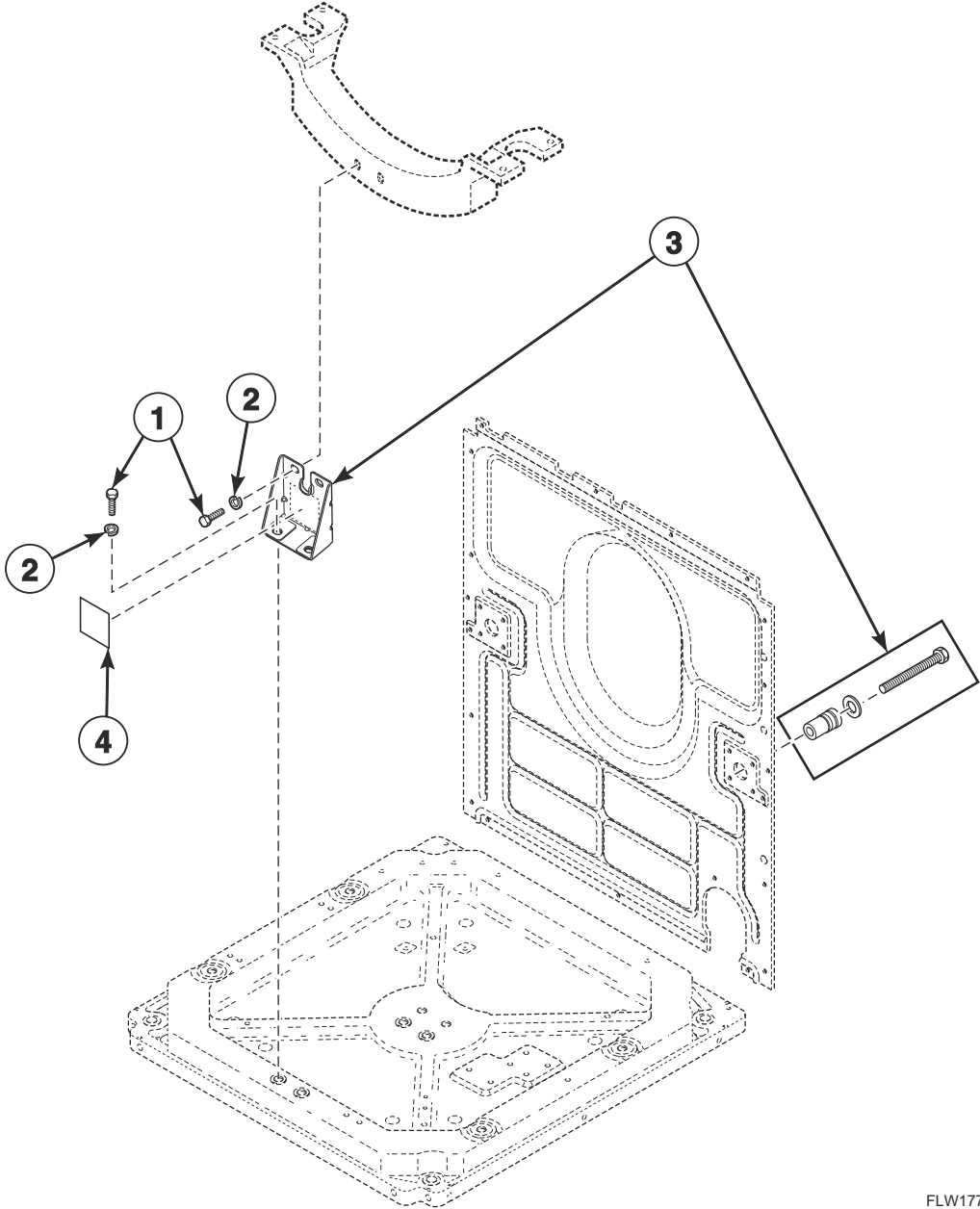


FLW1755P_805863

Junction Box and Power Cord

REF	PART NO.	DESCRIPTION	COMMENTS
1	803820	Junction Box Cover	
2	803832P	Junction Box Seal	
3	39931	Power Cord Assembly	Models PFNJXASP304AG01, SFNNXASG303AN12, SFNNXASG303AW12, SFNNXASP303AN01, SFNNXASP303AN12, SFNNXASP303AW01 and SFNNXASP303AW12
	801450	Power Cord Assembly	Models PFNJXASG303UG06, PFNJXASG543ZG01, PFNJXASP303UG06, PFNJXASP543ZG01 and SFNNXRSP543NW23
	204061	Power Cord Assembly	Models SFNNXASG103JW01 and SFNNXASG113JW01
	804556	Lead-In Cord Assembly	Models HFNNXASP123DW01, HFNNXASP543DW01, SFNNXASP123DW01 and SFNNXASP543DW01
	805762	Power Cord Assembly	Models JFNJEASG303EW06, JFNJEASP303EW06, JFNJRASP303EW06, JFNJXASG303EW06 and JFNJXASP303EW06
	39926	Lead-In Cord	Models NFNJXASP543NN23, NFNJYASP543NN23, NFNNXASP303ZW01 and SFNNXASP303NN26
	805974	Lead-In Cord	Models NFNWXASP303LN01 and SFNWXASP303LW01
	39984	Power Cord Assembly	Model SFNNXASP303BW01
	39925	Power Cord Assembly	Model SFNNXASP543RW01
	39929	Power Cord Assembly	Model TFNJGBSP303NW36
4	39922	Cable Connection Box	
5	38384	Strain Relief	
6	804559	Junction Box	Upper; Models SFNNXASG103JW01 and SFNNXASG113JW01
	803818	Junction Box	Upper; All other models
7	805633	Line Filter	Model SFNNXRSP543NW23; All other models except JFNJEASG303EW06, JFNEASP303EW06, JFNJXASG303EW06, JFNJXASP303EW06 and JFNJRASP303EW06 starting Serial Nos. beginning 1610
8	804396	Filter Harness	Filter to main harness; Model SFNNXRSP543NW23; All other models except JFNJEASG303EW06, JFNEASP303EW06, JFNJXASG303EW06, JFNJXASP303EW06 and JFNJRASP303EW06 starting Serial Nos. beginning 1610
9	D503661	Screw	
10	803819	Junction Box	Lower
11	804805	Filter Jumper Harness	Filter to power cord terminal block; Models JFNJEASG303EW06, JFNEASP303EW06, JFNJXASG303EW06, JFNJXASP303EW06 and JFNJRASP303EW06; All other models except SFNNXRSP543NW23 through Serial Nos. beginning 1610
	801420	Filter Jumper Harness	Filter to power cord terminal block; Model SFNNXRSP543NW23; All other models except JFNJEASG303EW06, JFNEASP303EW06, JFNJXASG303EW06, JFNJXASP303EW06 and JFNJRASP303EW01 starting Serial Nos. beginning 1610

Shipping Materials

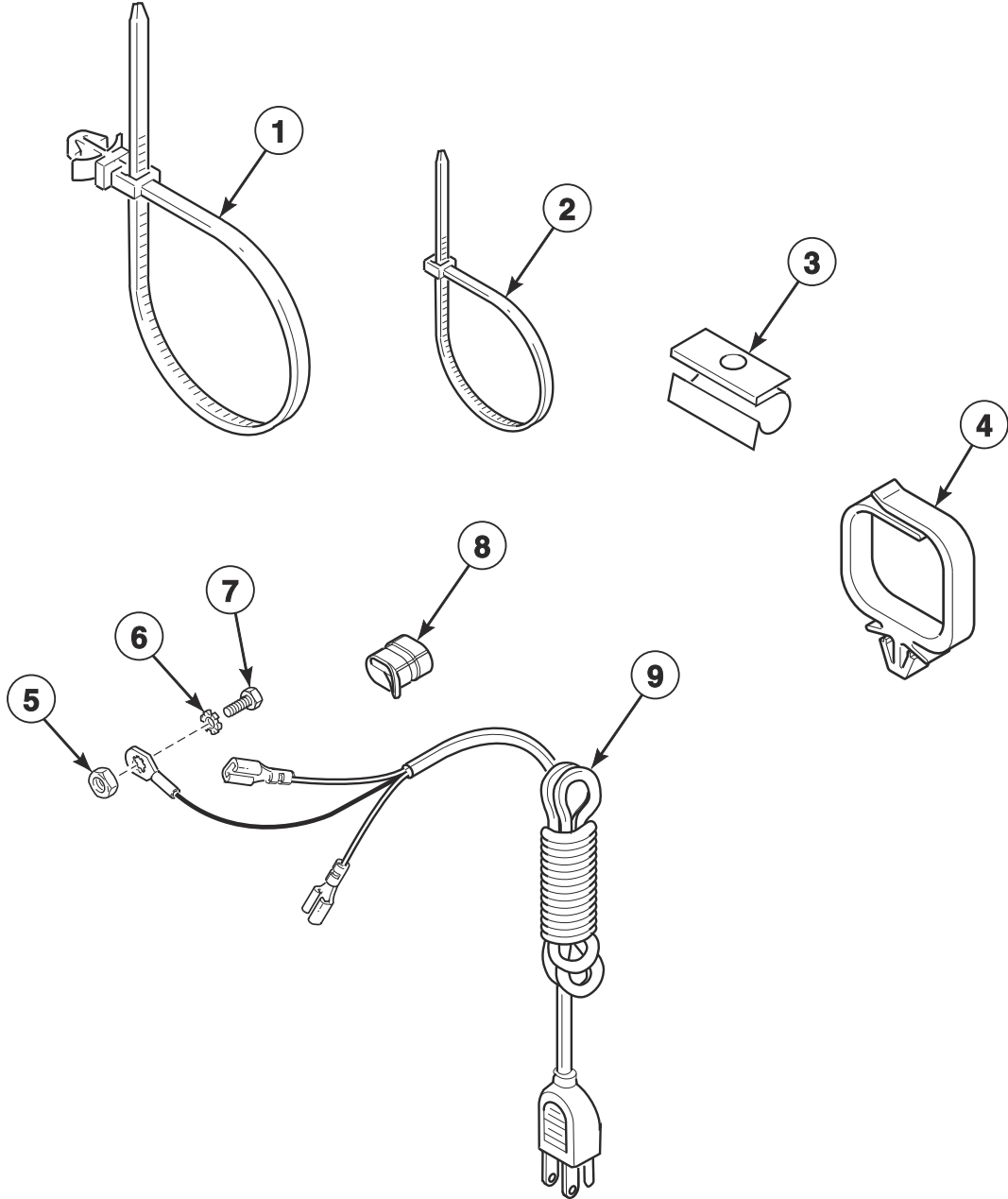


FLW1779P_805863

Shipping Materials

REF	PART NO.	DESCRIPTION	COMMENTS
1	M400043	Screw	
2	M400014	Washer	
3	805729	Shipping Materials Kit	Includes shipping brace, shipping spacer assembly and labels
4	807552	Shipping Bracket Label	Shipping Brace

Wire Ties, Harness Clips and Lead-In Cord

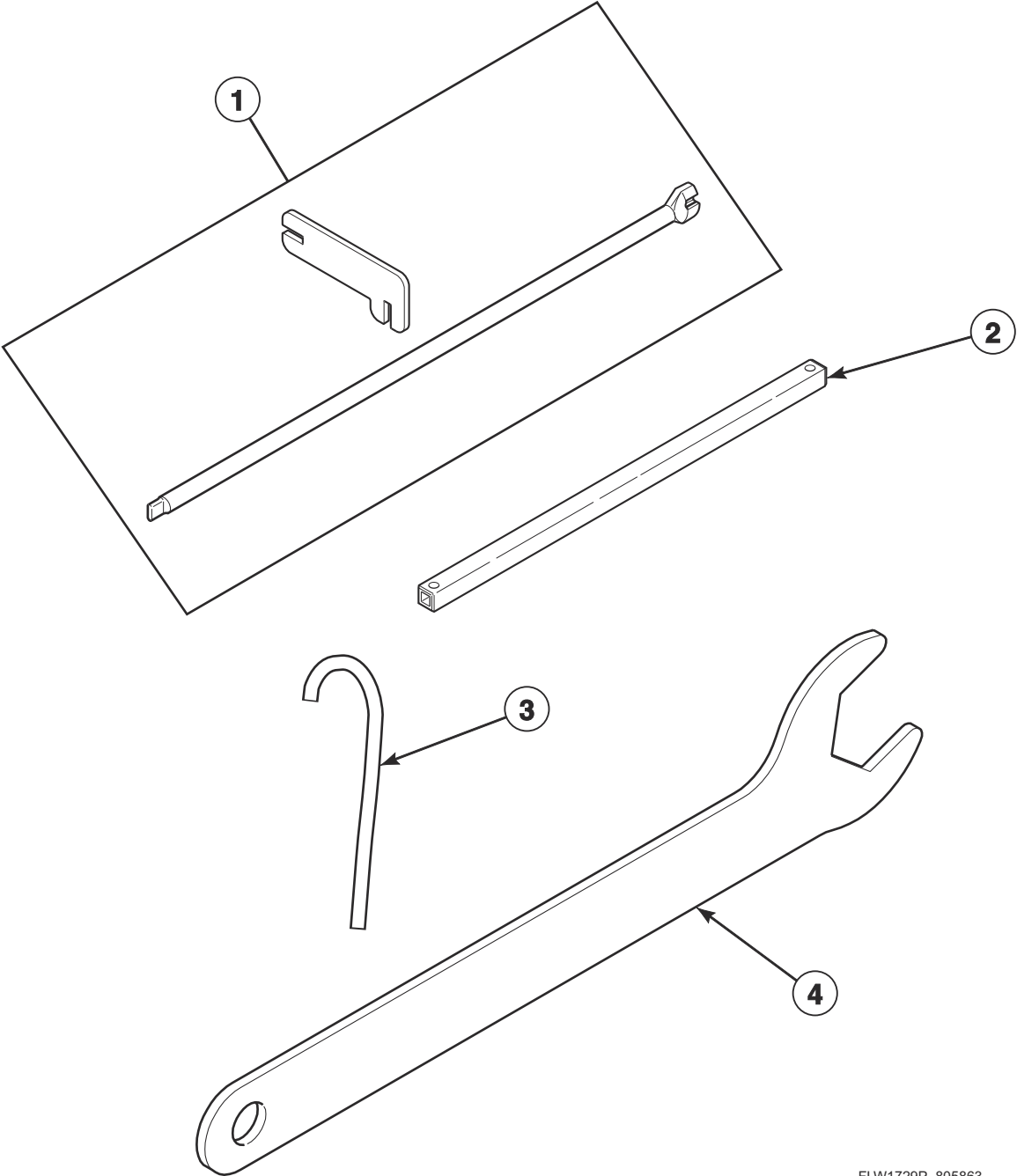


FLW1775P_805863

Wire Ties, Harness Clips and Lead-In Cord

REF	PART NO.	DESCRIPTION	COMMENTS
1	M405829	Cable Tie	6.13 inches
2	55881	Harness Strap	
3	36985	Hose Clip	
4	F8449502	Wire Clip	
5	03673	Nut	
6	03815	Washer	
7	20530	Screw	
8	38384	Strain Relief	
9	202777	Lead-In Cord	Models NFNNXASP115MW01 and SFNNZASP113NW22
	805761	Power Cord Assembly	Models BF3JGBJG403UN01, BF3JGBJG403UN06, BF3JGBJG403UW01, BF3JGBJG403UW06, BF3JGBJP403UN01, BF3JGBJP403UN06, BF3JGBJP403UW01, BF3JGBJP403UW06, BF3JGBSG403UN01, BF3JGBSG403UN06, BF3JGBSG403UW01, BF3JGBSG403UW06, BF3JGBSP403UN01, BF3JGBSP403UN06, BF3JGBSP403UW01, BF3JGBSP403UW06, BF3JLBSG403UN01, BF3JLBSG403UN06, BF3JLBSG403UW01, BF3JLBSG403UW06, BF3JLBSP403UN01, BF3JLBSP403UN06, BF3JLBSP403UW01, BF3JLBSP403UW06, BF3JXASG403UN01, BF3JXASG403UN06, BF3JXASP403UN01, BF3JXASP403UN06, BF3JXASP403UW01, BF3JXASP403UW06, JF3JEASP413EW06, JF3JGASP413EW06, JF3JGBSP413EW06, JF3JMASG413EN06, JF3JMBSG413EN06, JF3JRASP413EW06, JF3JXASP413EW06, NF3JGBSP403SW01, NF3JLBSG403UN01, NF3JLBSG403UT01, NF3JLBSG403UT06, NF3JLBSP403NN22, NF3JLBSP403NW22, NF3JLBSP403UN01, NF3JLBSP403UT01, NF3JLBSP403UT06, NF3JLBSP403UW01, NF3JXASG403UN01, NF3JXASG403UW01, NF3JXASP403NW22, NF3JXASP403UN01, NF3JXASP403UW01, NF3JXASP403UW06, NF3JYASG403UW01, PF3JGBJG403UG06, PF3JGBJP403UG06, PF3JGBSG403UG06, PF3JGBSP403UG06, PF3JXASG403UG06, PF3JXASP403UG06, SF3JGBJG403UW01, SF3JGBJP403UW01, SF3JGBSP403UW01, SF3JXASG403UN01, SF3JXASP403EW06 and TF3JXASP403NW22

Special Tools

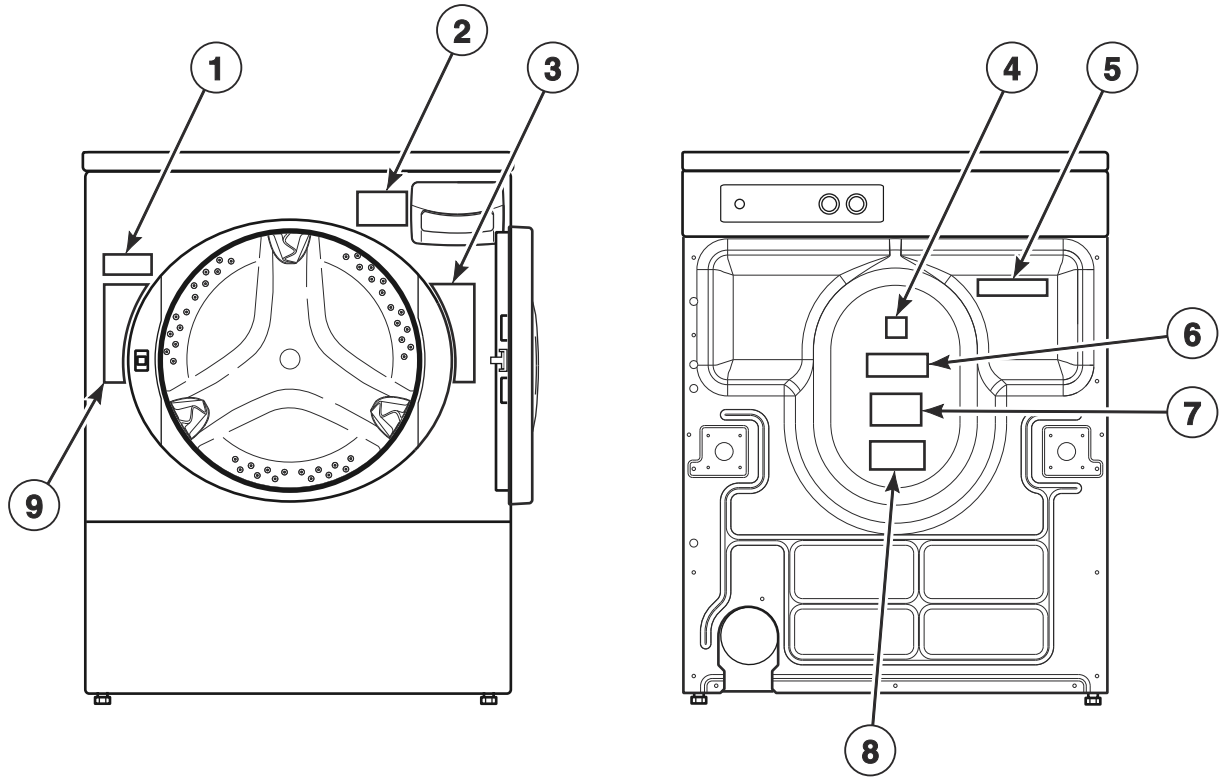


FLW1729P_805863

Special Tools

REF	PART NO.	DESCRIPTION	COMMENTS
1	CK096	Mounting Tool Kit	Use to install and remove electronic coin drop kits
2	310P4	Ratchet Extension Tool	1/4 inch; Use to install and remove non-electronic coin drops
3	802336	Pulley Bolt Tightening Fixture	Use to install inner basket
4	392P4	Wrench	Use for leveling leg locknuts

Washer Labels

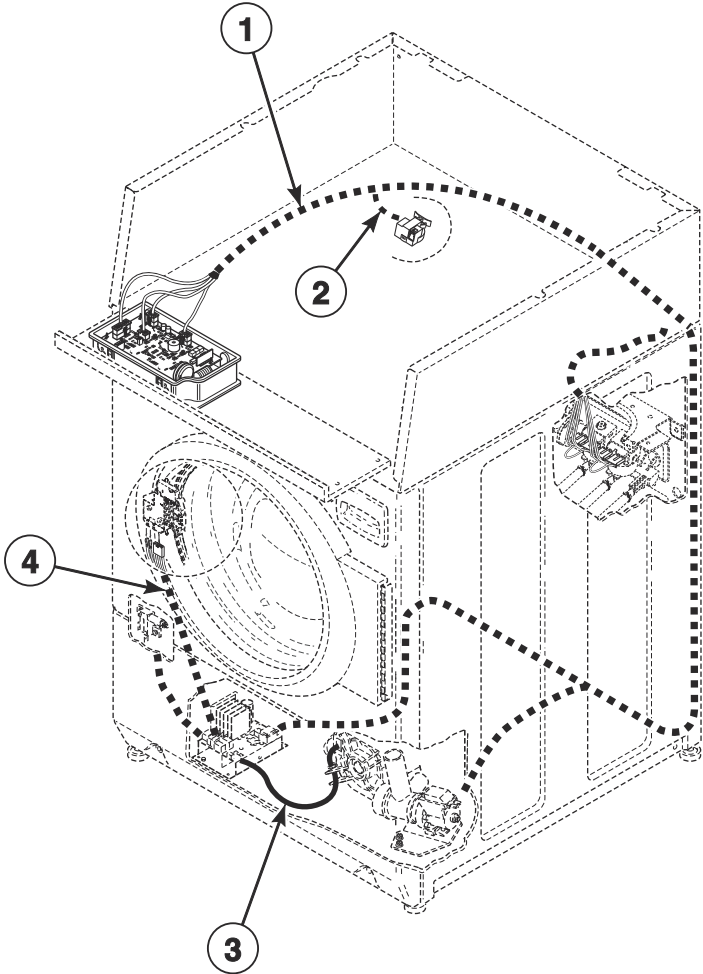


FLW1819P_805863

Washer Labels

REF	PART NO.	DESCRIPTION	COMMENTS
1	803011	Notice Label	
2	802074	Oversudsing Label	English
	802838	Oversudsing Label	Spanish
3	802367	Warning Label	English; Reduce Fire Risk; Door Locked
	804500	Warning Label	Brazilian Portuguese; Reduce fire risk; Door locked
	805966	Warning Label	Thai; Reduce fire risk; Door locked
	804924	Warning Label	Arabic; Reduce fire risk; Door locked
	805962	Warning Label	Japanese; Reduce fire risk; Door locked
	805964	Warning Label	Chinese; Reduce fire risk; Door locked
	806550	Warning Label	Vietnamese; Reduce fire risk; Door locked
	805965	Warning Label	Korean; Reduce fire risk; Door locked
4	D516073	Notice Label	
5	D505281	Disconnect Power Warning Label	English
	D500316	Warning Label	English/French; Disconnect Power
	801706	Caution Label	Icon; Ground Machine
6	685928	Left Hand Thread Label	Text
	804949	Left Hand Thread Label	Icon
7	803260	Warning Label	Disconnect Power
	F8614201	Shock Warning Label	Icon
8	D500049	Warning Label	English
	D500314	Warning Label	English/French
	F8615701	Pinch Warning Label	Icon; Crush Hazard
9	806853	Instruction Label	Models JF3JRASP413EW06 and JFNJRASP303EW06

Wire Harnesses and Wires



FLW1780P_805863

Wire Harnesses and Wires

REF	PART NO.	DESCRIPTION	COMMENTS
	45001	18 Gauge Wire	Black; Order wire by foot and terminals and connectors as required
1	806030	Rear Control Harness	Model SFNNXRSP543NW23
	806032	Front Control Harness	Models BF3JGBJG403UN01, BF3JGBJG403UN06, BF3JGBJG403UW01, BF3JGBJG403UW06, BF3JGBJP403UN01, BF3JGBJP403UN06, BF3JGBJP403UW01, BF3JGBJP403UW06, BF3JGBSG403UN01, BF3JGBSG403UN06, BF3JGBSG403UW01, BF3JGBSG403UW06, BF3JGBSP403UN01, BF3JGBSP403UN06, BF3JGBSP403UW01, BF3JGBSP403UW06, BF3JLBSG403UN01, BF3JLBSG403UN06, BF3JLBSG403UW01, BF3JLBSG403UW06, BF3JLBSP403UN01, BF3JLBSP403UN06, BF3JLBSP403UW01, BF3JLBSP403UW06, BF3JXASG403UN01, BF3JXASG403UN06, BF3JXASP403UN01, BF3JXASP403UN06, BF3JXASP403UW01, BF3JXASP403UW06, JF3JEASP413EW06, JF3JGASP413EW06, JF3JGBSP413EW06, JF3JMASG413EN06, JF3JMBSG413EN06, JF3JRASP413EW06, JF3JXASP413EW06, NF3JGBSP403SW01, NF3JLBSG403UN01, NF3JLBSG403UT01, NF3JLBSG403UT06, NF3JLBSP403NN22, NF3JLBSP403NW22, NF3JLBSP403UN01, NF3JLBSP403UT01, NF3JLBSP403UT06, NF3JLBSP403UW01, NF3JXASG403UN01, NF3JXASG403UW01, NF3JXASP403NW22, NF3JXASP403UN01, NF3JXASP403UW01, NF3JXASP403UW06, NF3JYASG403UW01, PF3JGBJG403UG06, PF3JGBJP403UG06, PF3JGBSG403UG06, PF3JGBSP403UG06, PF3JXASG403UG06, PF3JXASP403UG06, SF3JGBJG403UW01, SF3JGBJP403UW01, SF3JGBSP403UW01, SF3JXASG403UN01, SF3JXASP403EW06 and TF3JXASP403NW22
	806031	Front Control Harness	All other models
2	804433	Pressure Sensor Harness	
3	806029	Motor Harness	
4	806028	Door Lock Harness Assembly	

NOTE: Individual wires are not available separately. Order complete harness, or order wire by the foot. When applying terminals to wires, it is recommended that the terminals be soldered to the wires.

Parts Index

A

Access Panel Assembly	
804617DGP	37
804617Q	37
804617W	37
804618	37
Anchor	
155P3	59
Anchor Floor Mount Assembly	
802844P	59
Anti-Seize Compound	
27604P	51

B

Backflow Preventer	
800310	57
Balance Ring Assembly	
804393	51
Base Assembly	
803876	59
Bearing Housing Kit	
805525	51
Bearing Kit	
805730	51
Belt	
807429	53
Bolt	
203798	33
29651	9, 19, 21, 29
Bracket	
D510146	33
Bumper Pad	
36226	29, 31, 59

C

Cabinet Panel Kit	
800004QP	59
800004WP	59
Cabinet Side Panel	
800004DG	59
800005DG	59
Cabinet Top Kit	
802247QP	9
Cable Connection Box	
39922	63
Cable Tie	
M405829	67
Caution Label	
801706	71
Central Pay Harness	
805427	5, 35
Chemical Injection Control	
804528	61

Chemical Injection Conversion Kit	
805938	41
805939	41
Clamp Ring	
803802	49
Clip	
201572	25
Clothes Guard Deflector	
804467	49
805548	49
Coin Drop	
200731	23
38963P	23
39748	23
70441601P	23, 33
70441603	23
Coin Drop Assembly	
CK114	23
201141	23
210195	23
210196	23
38462P	23
38463	23
38464P	23
38467	23
38472	23
38475	23
38519	23
38521	23
39157	23
553192	23
70281102	23
70441602	23, 33
70447301	23
70482401	23
70506901	23
Coin Drop Kit	
CK055	23
CK056	23
CK057	23
CK058	23
CK060	23
CK071	23
CK077	23
CK078	23
CK085	23
CK086	23
CK089	23
CK090	23
CK091	23
CK097	23
CK098	23
CK107	23
CK111	23
CK122	23
CK123	23
Coin Drop Wire Harness	
201104	25
Coin Identification Paper	
38725	23, 25, 33
Compartment Cover	
803669	43
Connector	
M400149	61

N/A items do not appear in index.

801789	31
Contactors	
70482603	13
806428	13
Control Assembly	
806267P	7, 29, 35
806268P	7, 29
806269P	7, 29
Control Bracket	
804612	29
Control Hood	
D502567W	35
Control Overlay	
805375	31
805376	31
805378	31
805379	31
805768	31
805969	7
807555	7, 31
Control Panel	
803962BP	19
803962DG	19
803962WP	19, 21
803966B	27
803970B	27
Control Panel and Bracket Assembly	
800149W	35
Control Panel Assembly	
804070B	7
804070DG	7
804070Q	7
804070W	7
804962	31
804963	31
805008	31
Control Shield	
804363	5, 29
Control Wrapper	
804628B	29
804628DG	29
804628W	29
804629B	31
804629DG	31
804629W	31
804630B	31
804630DG	31
804630W	31
Conversion Kit	
805832	13
Counterweight	
803810	49

D

Detergent Hose	
804717	41
Diagnostic Wire Harness Assembly	
202869	31
Disconnect Power Warning Label	
D505281	33, 35, 71
Dispenser Assembly	
803698	41

Dispenser Drawer	
803667	43
Dispenser Handle	
804227B	43
804227WP	43
804228	43
804415B	43
804415W	43
804526	43
Dispenser Inlet Hose	
803849	39
806718	39
807364	39
Dispenser Plate	
803843	41
Door Assembly	
804083QP	37
804083WP	37
804210P	37
805550	37
Door Catch Assembly	
802803	37
Door Glass	
802695P	37
Door Glass Mounting Plate	
804239	37
Door Hinge	
802934	37
Door Latch Assembly	
803920	37
Door Lock Drip Shield	
804784	37
Door Lock Harness Assembly	
806028	73
Door Seal	
804428P	37
Door Seal Assembly	
804429P	37
Drain Base Bracket	
803814	57
Drain Hose	
27154	57
Drain Hose Bracket	
803828	59
Drain Hose Elbow	
35766	57
Drain Pump Assembly	
803922	57
805722P	57
805724P	57
Drain Pump Drip Shield	
805561	57
Drain Pump Isolator	
803815	57
Drain Valve	
803293	55
Drain Valve Kit	
F975P3	55
F976P3	55
Drain-to-Cabinet Hose	
800903	55
Drive Belt	
804985	53

N/A items do not appear in index.

Dual Coin Harness Assembly	
202871	23, 33

E

Electronic Coin Drop Assembly	
70294103P	25
70294104	25
70294106	25
70294107	25
70294110	25
70294111	25
70294117	25
70294119	25
70294120	25
70294121	25
70294122	25
70513302	25
70513311	25
Electronic Coin Drop Kit	
CK099	25
CK100	25
CK101	25
CK103	25
CK108	25
CK109	25
CK110	25
CK113	25
CK115	25
CK116	25
CK117	25
CK118	25
CK119	25
CK120	25
CK121	25
End Shield	
806258	53
Ethernet Gateway Kit	
NK320	5, 7, 35
Expansion Clip	
70030501	19, 21, 27, 31
Extension Spring	
802285	37

F

Fill Hose	
203718	47
203719	47
203720	47
203750	47
204102	47
204103	47
Filter	
805634	13
Filter Harness	
804396	63
804797	13, 15, 17
Filter Jumper Harness	
801420	63
804805	63
Fitting	
801792P	13, 15, 17

Foam Pad	
804875	41
Foreign Object Deflector	
806308	49
806313	49
806361	49
Front Control Harness	
806031	73
806032	73
Front Panel	
802277QP	37
802277WP	37
802288P	37
807151W	21

G

Gasket	
802427	57
Glass Mounting Clip	
802700	37
Gravity Drain Bracket	
803291	55
803833	59
Gravity Drain Valve	
803292	55
Grommet	
29175	49

H

Harness	
804832	35
Harness Assembly	
802905	25
Harness Strap	
55881	67
Heat Contactor Harness	
805544	13
806431	13
Heater Contactor Drip Shield	
805356	13
Heating Element	
804777P	49
804778P	49
Hinge	
D511036	9
Hinge Plate	
802206	37
Hole Plug	
44024203	19
Hood Back Panel	
804223	35
Hose Clamp	
F200204	57
F200206	41
20211	57
20391	57
685725	41, 55
802281	37
803891	49
804173	39

N/A items do not appear in index.

807386	39
Hose Clip	
36985	49, 67
800553	49

I

Inner Basket Assembly	
804374P	51
805485	51
Inner Basket Assembly Kit	
804376P	51
Inner Door Bezel	
804562P	37
Inner Door Bezel Kit	
802307P	37
802331P	37
Instruction Label	
806853	71
Inverter Control Assembly	
807175P	53

J

Junction Box	
803818	63
803819	63
803827	61
804559	63
804561	61
Junction Box Cover	
803820	61, 63
Junction Box Seal	
803832P	61, 63

K

Key	
54612	5, 21

L

Label	
804969	7
805914	7, 31
807552	65
Laundry View Harness	
D516835	19
Lead-In Cord	
202777	67
39926	63
805974	63
Lead-In Cord Assembly	
804556	63
Left Hand Thread Label	
685928	71
804949	71
Leveling Leg	
34319	59

Lid Assembly	
802426P	57
Lifter	
804382	51
Line Filter	
805633	13, 15, 17, 63
Lock Assembly	
804339P	5, 21
Lock Cam	
804338	5, 21

M

Machine ID Control Assembly	
203361P	5, 29, 35
Meter Case Assembly	
202877W	33
806967W	21
807254DG	19
807396B	19
807396W	19
Meter Case Bracket Gasket	
35526	33
Meter Case Gasket	
26354	33
Meter Case Lockdown Bracket	
35525	33
Meter Case Locking Bracket Kit	
204616	33
Mixing Valve	
806509P	45
806510P	45
806611P	45
806612P	45
Mixing Valve Screen	
24122	45
Mixing Valve Shield	
804783	45
Motor and Rod Assembly Kit	
805726P	53
Motor Control Shield	
804878	53
806498	53
Motor Harness	
806029	73
Motor Rod	
803861	53
Mounting Tool Kit	
CK096	69

N

Nameplate Overlay	
D514681	19
Network Controller Kit	
NK220	5, 7, 35
Network Retrofit Kit	
203328	5, 7, 35
Network Varistor Assembly	
804651	13, 17
Notice Label	
D516073	71

N/A items do not appear in index.

803011	71
Nut	
F430218	49
03673	67
201216	25
21899	59
23951	37
27222	33
29786	23, 25, 33, 55
29787	13, 15, 17
36020	9, 37
44087101	35
44087201	9, 19, 21
685846	37
800452	49, 51
802292	41
802337	33
802343	49
804418	51

O

Operating Instruction Label	
804327	19, 21, 27
804846	19, 21
806194	19
807627	19, 21, 27
Operating Instructions Label	
805829	19
Opto Coupler	
200674P	23, 33
O-Ring	
801632	41
802429P	57
Outer Door Bezel	
803710BP	37
803710QP	37
803710WP	37
803711P	37
Outer Tub Assembly	
803864	49
803865	49
807618	49
807619	49
Out-of-Balance Switch Assembly	
803415	49
Out-of-Balance Switch Bracket	
804457	49
Overlay	
D514874	27
201091	19, 25
804849	7
804850	35
804851	7
805373	7
805374	7
805377	7
805766	7
806015	7
806016	7
806017	27
806173	7
807390	7
Oversudsing Label	
802074	71

802838	71
--------------	----

P

Paint	
806436P	59
Panel Locator	
56079	37, 59
Pinch Warning Label	
F8615701	71
Pop Rivet	
685847	9, 49
70058501	33
Porcelain Touch-Up Paint	
122P4P	59
370P4P	59
Power Cord Assembly	
204061	63
39925	63
39929	63
39931	63
39984	63
801450	63
805761	67
805762	63
Pressure Bulb	
803837	49
Pressure Sensor	
203843	59
Pressure Sensor Harness	
804433	73
Pressure Sensor Tube Assembly	
804483	49
804769	49
Pulley Assembly	
803974	51
Pulley Bolt Tightening Fixture	
802336	69
Pump Housing	
802428	57
Pump Housing Assembly	
802434P	57
Pump-to-Elbow Hose	
803734	57
Pump-to-Gravity Drain Kit	
805770	57
805771	57

R

Ratchet Extension Tool	
310P4	69
Rear Access Panel	
803998	19, 21, 27
804614	31
Rear Control Harness	
806030	73
Rear Control Operating Instruction Label	
805830	33
Rear Panel	
803789	59
803790	59

N/A items do not appear in index.

806716	59
Rear Wrapper Brace	
805345	29
Rubber Foot	
D501855	59
34318	59

S

Screw	
D501086	35
D501524	35, 53
D503661	11, 13, 15, 17, 33, 35, 37, 53, 55, 57, 59, 61, 63
D503673	33
D503688	5, 27, 29, 31
M400043	51, 65
M400057	53
02916	35, 55
20530	33, 67
23008	9
36048	33
39733	29, 37, 59
52864	35
52909	57
685831	51
70240301	19, 21, 27
800461	49
800462	49
800548	37, 43, 51
801001	41
801019	37
801045	37
801993	37
802431	57
802596	49
803527P	31
804399	51
804647	7
804699	51
806086	37
Sealant	
27615P	55, 57
Security Cabinet Assembly	
804149B	27
804149WP	27
Service Door Assembly	
39874WP	33
Shipping Bracket Label	
807552	65
Shipping Materials Kit	
805729	65
Shipping Plate	
803851	59
Shipping Plug	
803859	59
Shock Assembly	
803777P	49
Shock Warning Label	
F8614201	71
Side Panel Kit	
800005QP	59
806492	59
Single Coin Harness Assembly	
202870	23, 33

Single Drop Overlay	
803476	19
Single Overlay	
38717	19, 23, 33
Snap Bushing	
D503235	55
F140938	19
M400770	13
M402542	13, 15, 17, 61
Standpipe Strap	
33489	57
Strain Relief	
38384	63, 67
Supply Injection Wire Harness Assembly	
804799	61
Switch	
D512973	5, 19, 21, 33

T

Terminal Block Assembly	
D505876	13, 17
803988	13, 15, 17
Terminal Block Drip Shield	
805344	13, 15, 17
Terminal Block Harness	
804716	17
804737	13
Terminal Block Panel	
804609	13
Top Hinge	
D510136	59
Top Kit	
D511527WP	33
Top Mounting Bracket	
D504228	9
Top Panel	
803868Q	9
803868WP	9
803869	9
804023DG	9
804684	29
804685DG	29
804685WP	29
Top Panel Brace Assembly	
804613	31
Top Panel Guide	
803761	29
Transformer	
201375P	25
202757	5, 35
202758	5, 35
Transformer Harness	
804795	5
805428	5
Transformer Kit	
203423	5, 35
203424	5, 35
Trunnion Kit	
806831	51
Trunnion Shaft Kit	
804405P	51

N/A items do not appear in index.

Tub Front	
803770	49
Tub Front Assembly	
803879	49
Tub Front Seal	
803801	49
Tubing	
801635	41
Tub-to-Drain Hose	
803873	55
Tub-to-Gravity Drain Hose	
803874	55
Tub-to-Pump Hose	
803816	57
803829	57

U

Union	
801788	31
USB Gateway Kit	
NK330	5, 7, 35
USB IR Interface Kit	
203346	5, 7, 35

W

Warning Label	
D500049	49, 71
D500314	71
D500316	33, 71
802367	71
803260	71
804500	71
804924	71
805962	71
805964	71
805965	71
805966	71
806550	71
Washer	
M400014	65
M400017	35, 55
M400080	53
M400081	49
M403958	51
02834	53
03815	67
200608	35
20290	47
800457	51
802254	47
803615	47
804458	49
807679	51
Wire Clamp Ring	
802283	37
Wire Clip	
F8449502	67
Wire Guard	
201595P	23, 33
Wireless Network Control Assembly	
807211	11

Wireless Network Harness	
F8674006	11
Wireless Network Kit	
203889	5, 7, 35
204689	5, 7, 35
Wire, 18 Gauge	
45001	73
Wiring Harness Assembly	
202868	5, 19, 21
202869	5
Wrapper Assembly	
804104B	19
804104DG	19
804104W	19, 21
804108B	19, 27
804108DG	19
804108W	19, 27
804112B	27
804112W	27
Wrench	
392P4	69

N/A items do not appear in index.

