
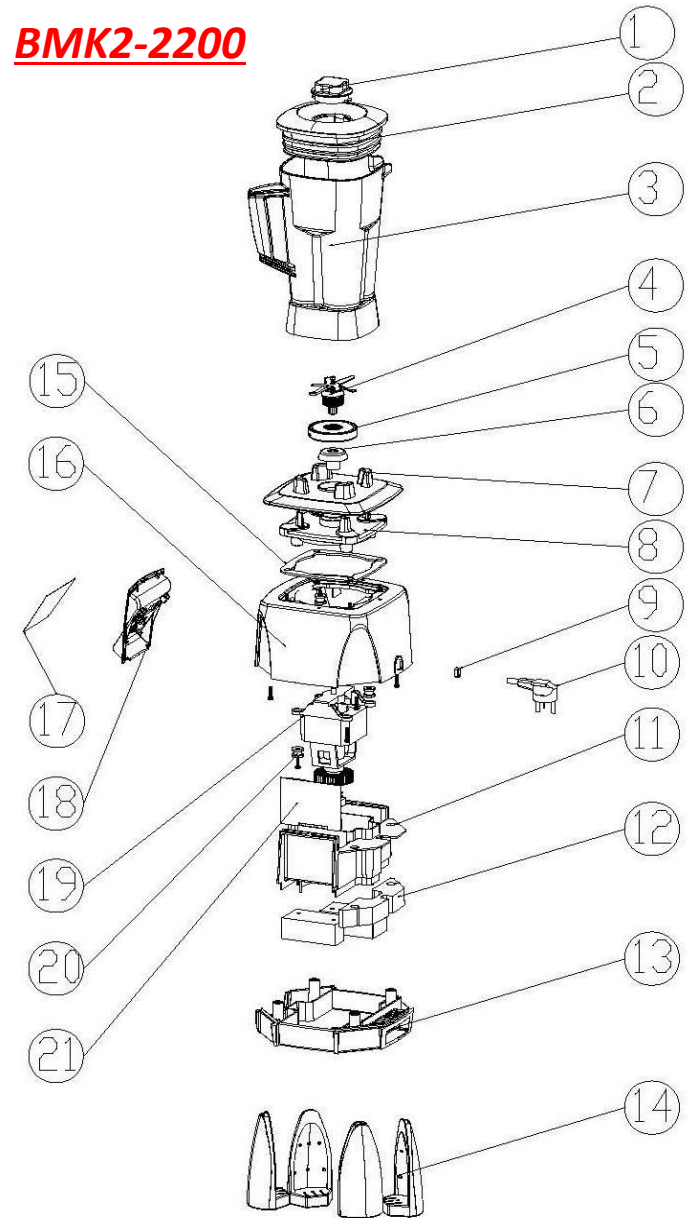
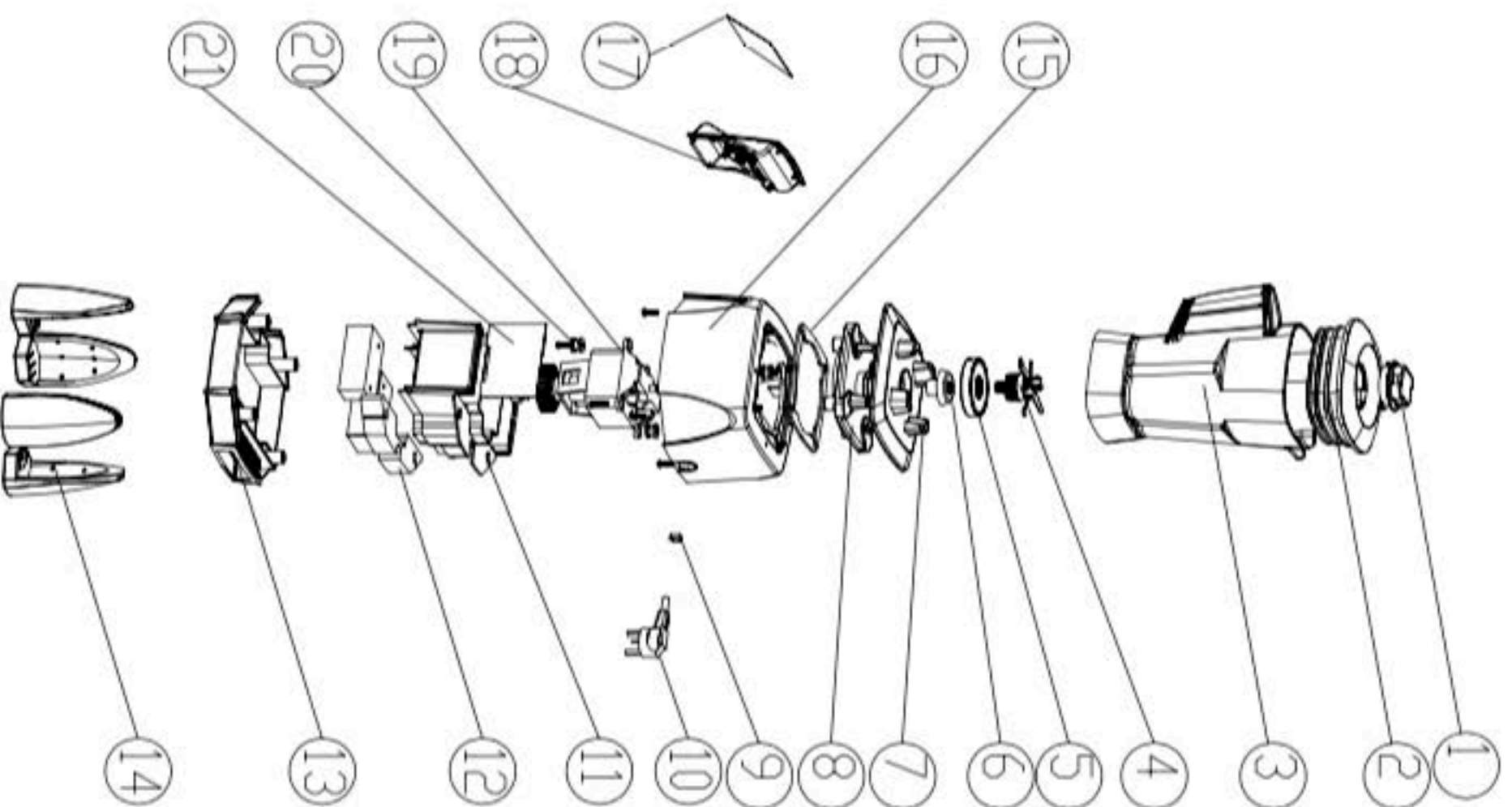


No.	Model	Name of Part	CN name	Unit USD	G.W./pc (KG)	Picture of Sparepart
4	BMK2-2200	BLADE AND BEARING COMBINATIONS			0.8	
3		CONTAINER (Empty type,no tamper needed)			1	
N/M		CONTAINER SET (Full package with blades,lids and core plate)			2.5	
19		MOTOR			2	
6		DRIVING SOCKET			0.3	
18		Control Panel (PLUS PCB)			0.2	

BMK2-2200



GGM Model: **BMK2-2200**



NO.	Name	Material	
1	small cap	PC	
2	CUP cap	TPR	
3	cup	PC	
4	blade ASM	stainlessS	
5	cup base	stainless	
6	clutch	PC/stainless	
7	cup pad	TPR	
8	Motor flame	AL	
9	wire clamp	PP	
10	wire	PVC/COPE	
11	Motor COVER	PC	
12	sponge	EVA	
13	bottom	PC	
14	FOOT	TPR/PC	
15	Motor cushion	TPR	
16	main board	PC	
17	button paper	PET	
18	button palate	PC	
19	MOTOR	IRON	
20	motor screw	PC	
21	control PCB		
22			
23			
24			
25			
26			
27			