


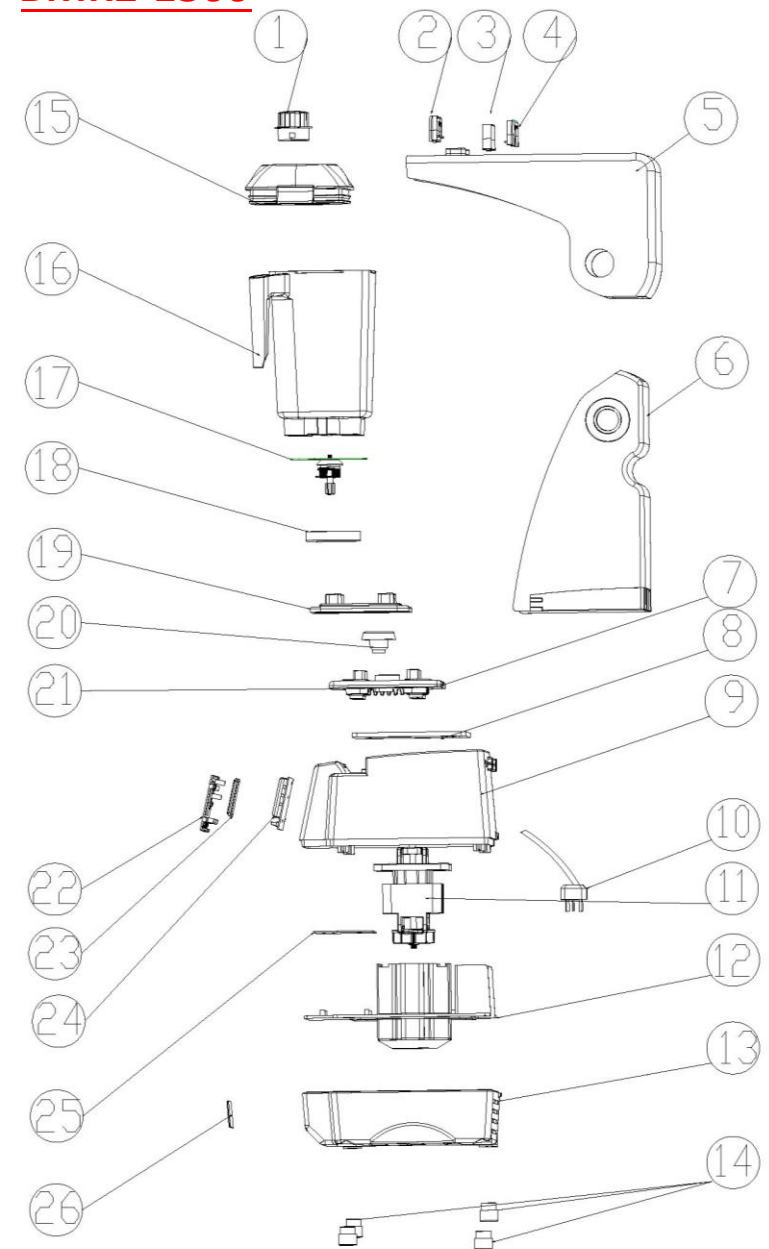
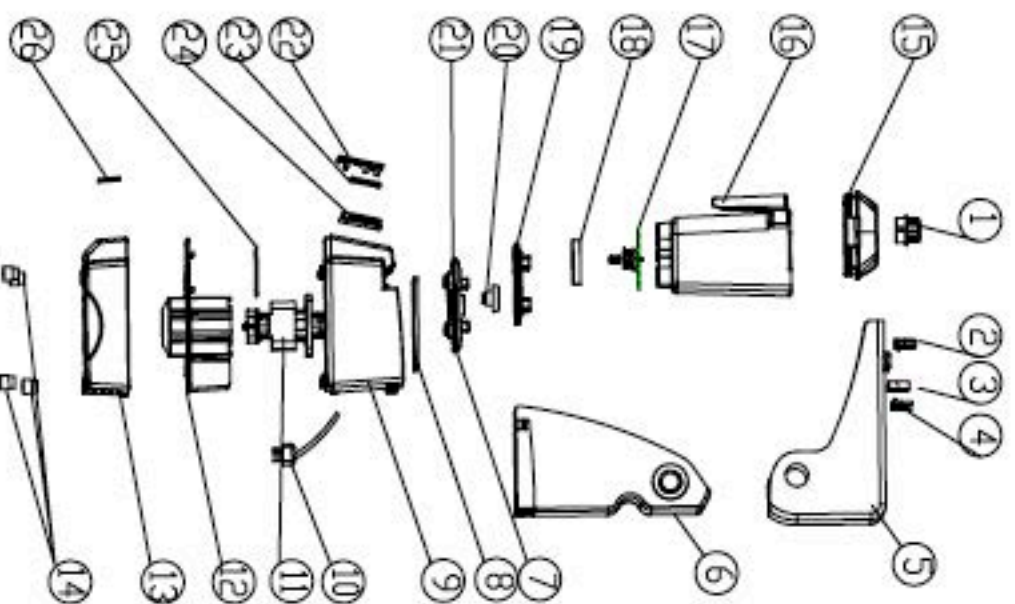


| No. | Model            | Name of Part  | CN name | Unit USD | G.W./pc (KG) | Picture of Sparepart  |
|-----|------------------|---|---------|----------|--------------|---|
| 17  | <b>BMK2-1500</b> | BLADE AND BEARING COMBINATIONS                                  |         |          | <b>0.8</b>   |    |
| 16  |                  | CONTAINER<br>(Empty type,no tamper needed)                      |         |          | <b>1</b>     |    |
| N/M |                  | CONTAINER SET<br>(Full package with blades,lids and core plate) |         |          | <b>2.5</b>   |    |
| 11  |                  | MOTOR   |         |          | <b>2</b>     |   |
| 20  |                  | DRIVING SOCKET  |         |          | <b>0.3</b>   |  |
| 24  |                  | LCD SCREEN<br>(PLUS PCB)  |         |          | <b>0.1</b>   |  |

## **BMK2-1500**



## GGM Model: **BMK2-1500**



| NO. | Name          | Material     |  |
|-----|---------------|--------------|--|
| 1   | smale cap     | PC           |  |
| 2   | B hand cover  | ABS          |  |
| 3   | O hand cover  | STAINLESS    |  |
| 4   | T hand cover  | ABS          |  |
| 5   | NF cover      | PC           |  |
| 6   | NB cover      | PC           |  |
| 7   | Motor flame   | AL           |  |
| 8   | Motor cushion | TPR          |  |
| 9   | Top board     | PC+ABS       |  |
| 10  | wire          | PVC/C/COPE   |  |
| 11  | Motor         | IRON         |  |
| 12  | Motor cover   | PC+ABS       |  |
| 13  | LOW board     | PC+ABS       |  |
| 14  | foot          | TPR          |  |
| 15  | CUP CAP       | TPR          |  |
| 16  | CUP           | TPR          |  |
| 17  | Blade ASM     | Stainless    |  |
| 18  | cup base      | Stainless    |  |
| 19  | cup Pad       | TPR          |  |
| 20  | dutch         | PC/stainless |  |
| 21  | Motor flame   | AL           |  |
| 22  | Bracket       | PC           |  |
| 23  | SCREEN cover  | PC           |  |
| 24  | control PCB   |              |  |
| 25  | Power PCB     |              |  |
| 26  | KPS MARKING   | AL           |  |
| 27  |               |              |  |