

Model:
TFW100-SS
TFW200-S/TFW200-F
TFW200-2S/TFW200-2F



Brugsvejledning	DK	4
Instruction manual	UK	13
Bedienungsanleitung	D	22
Mode d'emploi	F	31

DK Indholdsfortegnelse

Vigtige instruktioner	4
Udpakning og opstilling	4
El-tilslutning	5
Opstart	5
Betjening TFW100-S	6
Betjening TFW200-S/F	7
Betjening TFW200-2S/F	8
Vandbakken	9
Kulfilter	9
Flytning af hylder	10
Vending af dør	10
Vedligeholdelse	11
Service	12
Bortskaffelse	12
Fejlkode	40

UK Contents

Important safety instructions	13
Unpacking and installation	13
Electrical connections	14
Start-up of the cabinet	14
Operation TFW100-S	15
Operation TFW200-S/F	16
Operation TFW200-2S/F	17
Water tray	18
Carbon filter	18
Changing position of shelves	19
Door reversal	19
Maintenance and cleaning	20
Service	21
Disposal	21
Error codes	40

D Inhalt

Wichtige Sicherheitsvorschriften	22
Auspackung und Aufstellung	22
Anschließen	23
Bedienung TFW100-S	24
Bedienung TFW200-S/F	25
Bedienung TFW200-2S/F	26
Wasserback	27
Kohlenfilter	27
Verlagerung der Roste	28
Türwechseln	28
Reinigen	29
Wartung und Kundendienst	30
Entsorgung	30
Fehlercodes	40



Important safety instructions

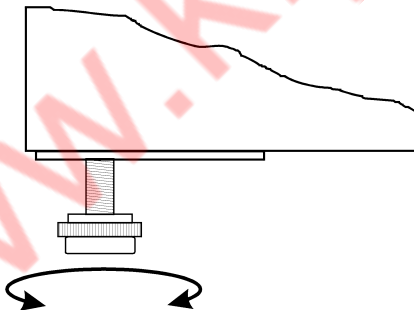
1. To obtain full use of the cabinet, we recommend reading this instruction manual.
2. It is the user's responsibility to operate the appliance in accordance with the instructions given.
3. Contact your dealer immediately in case of any malfunctions.
4. Place the cabinet in a dry and ventilated place.
5. Keep the cabinet away from strongly heat-emitting sources and do not expose it to direct sunlight.
6. Always keep in mind that all electrical devices are sources of potential danger.
7. Do not store inflammable material such as thinner, gasoline etc. in the cabinet.
8. We declare that no asbestos nor any CFC are used in the construction.
9. The oil in the compressor does not contain PCB.

Unpacking and installation

Remove the wooden pallet and the packing.

To ensure correct function it is important that the cabinet is level. The cabinet is supplied with legs, which can be adjusted. See fig. 1.1.

Fig. 1.1



If you want to build in your cabinet please note the following:

1. There must be at least 10 cm free space above the cabinet in order for the cooling system to work satisfactorily.
2. There must be sufficient space at the hinge side to clean and replace the shelves and clean around the hinge.

Electrical connecting

The cabinet operates on 230 V/50 Hz.

The wall socket should be easily accessible.

All earthing requirements stipulated by the local electricity authorities must be observed. The cabinet plug and wall socket should then give correct earthing. If in doubt, contact your local supplier or authorized electrician.

The flexible cord fitted to this appliance has three cores for use with a 3-pin 13-Amp or 3-pin 15-Amp plug. If a B.S. 1363 (13-Amp) fused plug is used, it should be fitted with a 13-Amp fuse.

The wires in this mains lead are coloured in accordance with the following code:
Green/Yellow: Earth, Blue: Neutral, Brown: Live.

The main electrical connections must be done by skilled electricians.

Start-up of the cabinet

Before use, we recommend that the cabinet is cleaned, see the section on maintenance and cleaning.

Important !

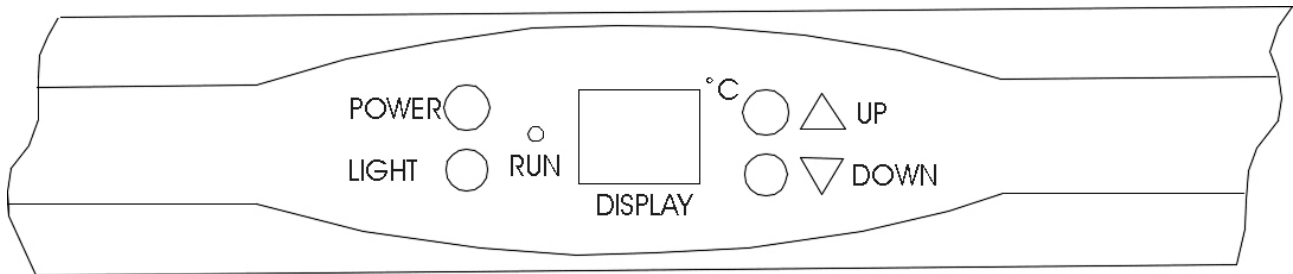
If the cabinet has been horizontally placed during transport, please wait 2 hours before starting up the cabinet.

In order to ensure optimum function of the cabinet the ambient temperature must be between 18 and 35 °C.

Operation model TFW100-S

Connect the cabinet to a socket and turn on the switch on the control panel (POWER), see fig. 1.9.

Fig. 1.9



When the cabinet is turned on, the display will show the current temperature in the cabinet.

Display set temperature:

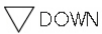


Press this key and the display will flash the set temperature. After 5 seconds the thermostat will return to normal reading.

Set new temperature:



Press this key and the set temperature will increase by 1°C for each pressure.



Press this key and the set temperature will decrease by 1°C for each pressure.

Indicator lamps:



Control lamp "Run" will turn on when the compressor is running.

Internal light:



Press this key to turn on/off the internal light.

In order to reduce energy consumption, this cabinet will automatically switch off the internal light after 10 minutes.

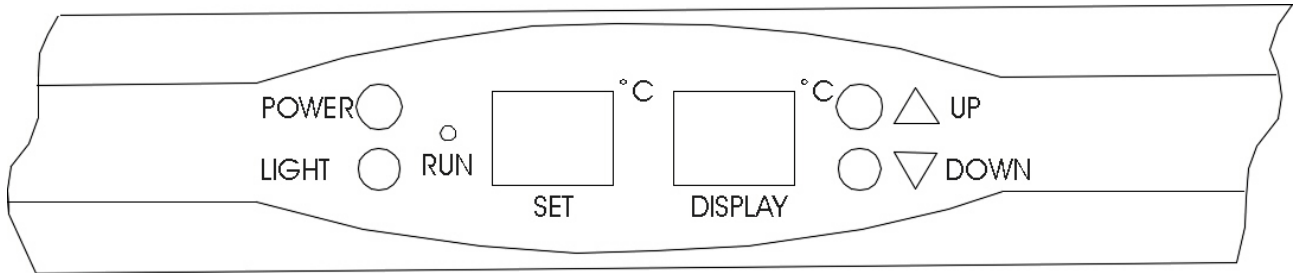
If you want the internal light to remain on continuously, press and hold this key for 5 seconds until display show 'LP'.

To revert to normal mode, press and hold this key for 5 seconds until display show 'LF'

Operation model TFW200-S/F

Connect the cabinet to a socket and turn on the switch on the control panel (POWER), see fig. 2.0.

Fig. 2.0

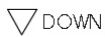


When the cabinet is turned on, the display will show the current temperature in the cabinet.
SET displays set temperature.
DISPLAY displays the temperature in the cabinet

Set new temperature:



Press this key and the set temperature will increase by 1°C for each pressure.



Press this key and the set temperature will decrease by 1°C for each pressure.

Indicator lamps:



Control lamp "Run" will turn on when the compressor is running.

Internal light:



Press this key to turn on/off the internal light.

In order to reduce energy consumption, this cabinet will automatically switch off the internal light after 10 minutes.

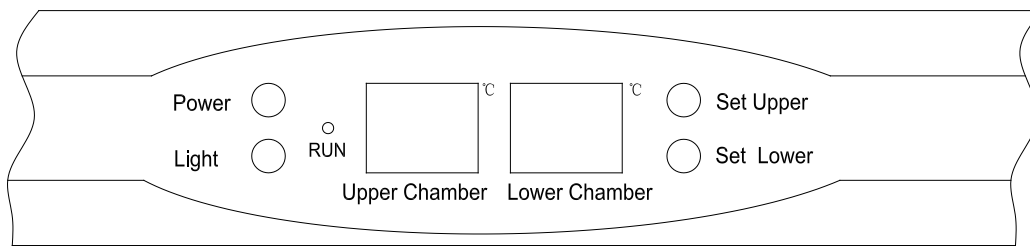
If you want the internal light to remain on continuously, press and hold this key for 5 seconds until display show 'LP'.

To revert to normal mode, press and hold this key for 5 seconds until display show 'LF'

Operation model TFW200-2S/F

Connect the cabinet to a socket and turn on the switch on the control panel (POWER), see fig. 2.1.

Fig. 2.1



When the cabinet is turned on, the display will show the current temperatures in the cabinet's two chambers.

Display set temperature:

Set Upper

Press this key and the display will flash the set temperature for the upper chamber. After 5 seconds the thermostat will return to normal reading.

Set Lower

Press this key and the display will flash the set temperature for the lower chamber. After 5 seconds the thermostat will return to normal reading.

Set new temperature:

Set Upper

Press this key and the display will flash the set temperature. Every subsequent press on this key will lower the setting by 1 °C, from 10 °C to 5 °C and will start over again after that. When the required temperature is reached, wait for 5 seconds and the thermostat will return to normal reading.

Set Lower

Press this key and the display will flash the set temperature. Every subsequent press on this key will lower the setting by 1 °C, from 18 °C to 10 °C and will start over again after that. When the required temperature is reached, wait for 5 seconds and the thermostat will return to normal reading.

Indicator lamps:

RUN

Control lamp "Run" will turn on when the compressor is running.

Internal light:

LIGHT

Press this key to turn on/off the internal light.

In order to reduce energy consumption, this cabinet will automatically switch off the internal light after 10 minutes.

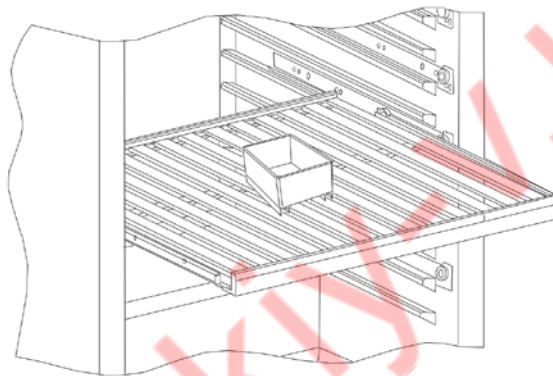
If you want the internal light to remain on continuously, press and hold this key for 5 seconds until display show 'LP'.

To revert to normal mode, press and hold this key for 5 seconds until display show 'LF'

Water tray

In order to prevent drying up of the wine corks due to low humidity the cabinet is supplied with a water tray, which should be placed at the top shelf, see fig. 1.3.

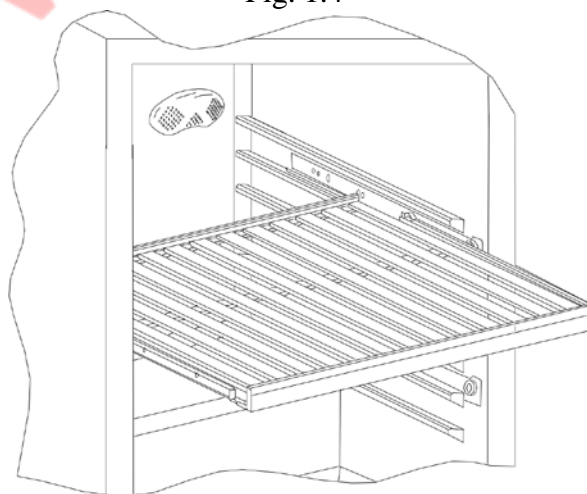
Fig. 1.3



Carbon filter

The cabinet is supplied with a carbon filter to prevent bad smell. This is placed at the rear wall inside the cabinet, see fig. 1.4.

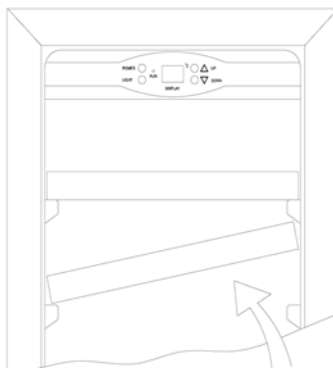
Fig. 1.4



Changing position of shelves

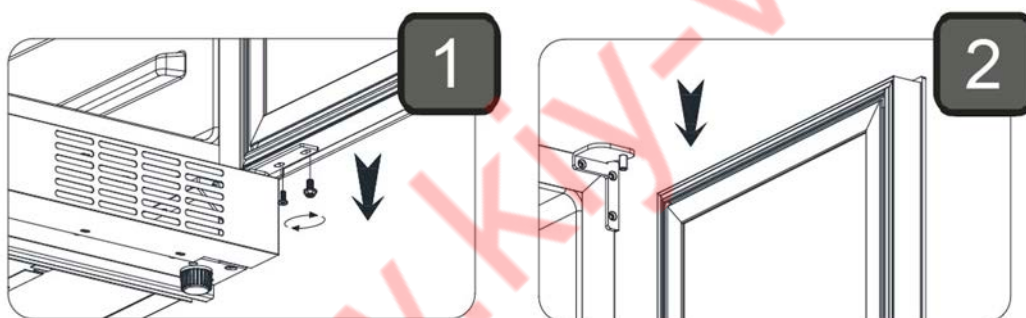
Tilt the shelf and pull out the shelf, see fig. 2.2.

Fig. 2.2

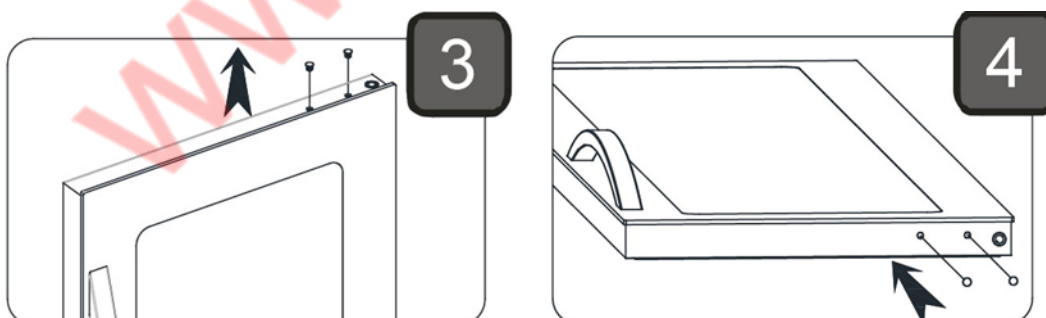


Door reversal

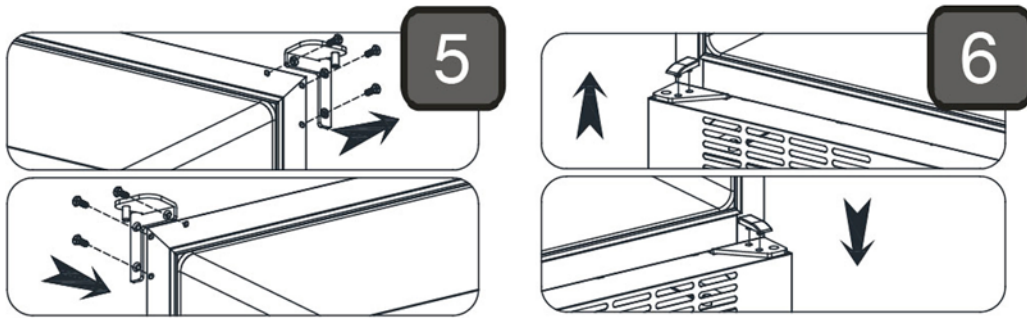
Open the door, remove the two screws in the bottom hinge and lift out the door.



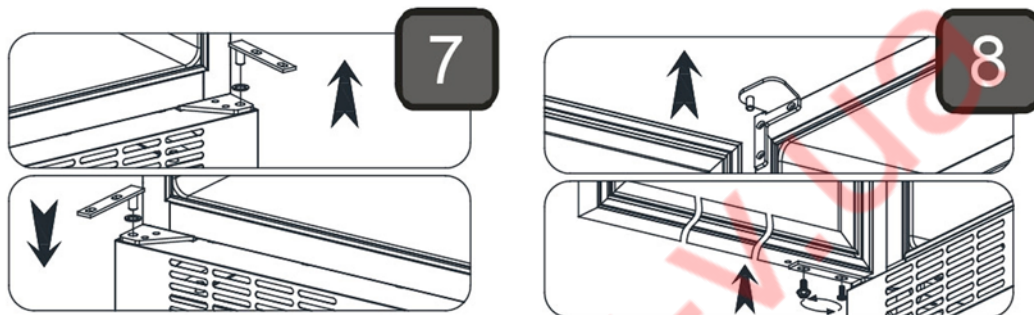
Move the two plastic caps from top to bottom and rotate the door 180 degrees. (Frameless)



The enclosed top hinge should be fitted at the opposite side. Move the plastic support to the opposite side.



Move the hinge pin & washer to the opposite side. Mount the door and screws again.



Maintenance and cleaning

Switch the cooler off at the socket.

The cabinet must be periodically cleaned. Clean the external and internal surfaces of the cabinet with a light soap solution and subsequently wipe dry. External surfaces can be maintained using steel oil.

Keep the fan cover clean by using a vacuum cleaner and a stiff brush.

Do NOT use cleansers containing chlorine or other harsh cleansers, as these can damage the stainless steel surfaces and the internal cooling system.

Do NOT hose the compressor compartment with water as this can cause short circuits and damage on the electrical parts.

Service

The cooling system is a hermetically sealed system and does not require supervision, only cleaning.

If the cabinet fails to cool, check if the reason is a power cut.

If you cannot locate the reason to the failure of the cabinet, please contact your supplier. Please inform model and serial number of the cabinet. You can find this information on the rating label which is placed on the back side of the cabinet on the left hand side.

Disposal

Disposal of the cabinet must take place in an environmentally correct way. Please note existing regulation on disposal. There may be special requirements and conditions which must be observed.



www.kiy-v.ua