

# ARCTIC

## Deluxe 12L - 20L UL

OPERATOR'S MANUAL  
CARNET D'INSTRUCTIONS  
MANUAL DE INSTRUCCIONES



# ugolini®

[www.kiy-v.ua](http://www.kiy-v.ua)

---

**GB**

**4**

---

**F**

**8**

---

**E**

**13**

---

**ELENCO RICAMBI** - Disponibile in internet all'indirizzo : <http://www.ugolinispa.com/download>

**SPARE PARTS LIST** - Available on the Internet at : <http://www.ugolinispa.com/download>

**LISTE DES PIECES DE RECHANGE** - Sur le site Internet à l'adresse : <http://www.ugolinispa.com/download>

**ERSATZTEILLISTE** - Auf der Internet-Seite : <http://www.ugolinispa.com/download>

**DESCRIPCION PIEZAS DE REPUESTO** - En el sitio de Internet en : <http://www.ugolinispa.com/download>

# Arctic Deluxe 12-20 UL

## 1 TECHNICAL CHARACTERISTICS

			1/12 1/20	2/12 2/20	3/12 3/20	4/12 4/20
Transparent removable bowls	n		1	2	3	4
Capacity of each bowl, approx.	l		12 20	12 20	12 20	12 20
<b>Dimensions:</b>						
width	cm		18	36	54	72
depth	cm		48	48	48	48
height		12 lt 20 lt	57 71	57 71	57 71	57 71
Net weight, approx.		12 lt 20 lt	kg 17 18	25 24	34 38	50 53
Gross weight, approx.		12 lt 20 lt	kg 19 20	28 27	37 41	55 56
Adjustable thermostats	n		1	2	3	4
Hermetic compressor						
Air-cooled condenser						
Overload protector						
Noise level lower than 70 dB (A)						



### IMPORTANT

Read electrical ratings written on the data plate of the individual units; the data plate is adhered on the dispensing side panel of the unit, just behind the drip tray (the right side drip tray in multiple bowl models). The serial number of the unit (preceded by the symbol #) is adhered just below the right bowl. Data plate specifications will always supersede the information in this manual.

Specifications are subject to change without notice.

## 2 INTRODUCTION

Please read all sections of this manual thoroughly to familiarize yourself with all aspects of the unit.

Like all mechanical products, this machine will require cleaning and maintenance. Besides, dispenser working can be compromised by operator's mistakes during disassembly and cleaning. It is strongly recommended that personnel responsible for the equipment's daily operations, disassembly, cleaning, sanitizing and assembly, go through these procedures in order to be properly trained and to make sure that no misunderstandings exist.

## 3 INSTALLATION

1 Remove the corrugate container and packing materials and keep them for possible future use.



### IMPORTANT

When handling the machine never grasp it by the bowls or by the evaporator cylinders. The manufacturer refuses all responsibilities for possible damages which may occur through incorrect handling.

2 Inspect the uncrated unit for any possible damage. If damage is found, call the delivering carrier immediately to file a claim.

3 Install the unit on a counter top that will support the combined weight of dispenser and product **bearing in mind what is stated in the preceding point 1 IMPORTANT warning.**

4 A minimum of 15 cm (6") of free air space all around the unit should be allowed to guarantee adequate ventilation.

5 Ensure that the legs are screwed tightly into the base of the machine.

Replace the standard legs originally installed with the 100 mm (4") legs whenever they are provided with the unit.

6 Before plugging the unit in, check if the voltage is the same as that indicated on the data plate. Plug the unit into a grounded, protected single phase electrical supply according to the applicable electrical codes and the specifications of your machine. Should you prefer to connect the unit directly to the mains, connect the supply cord to a 2-pole wall breaker, whose contact opening is at least 3 mm. Do not use extension cords.



### ATTENTION

Failure to provide proper electrical ground according to applicable electrical codes could result in serious shock hazard.

7 The unit doesn't come presanitized from the factory. Before serving products, the dispenser must be disassembled, cleaned and sanitized according to this handbook instructions (chapter 5.3 CLEANING AND SANITAZING PROCEDURES).



### IMPORTANT

Install the dispenser so that the plug is easily accessible.

## 4 TO OPERATE SAFELY

1 Do not operate the dispenser without reading this operator's manual.

2 Do not operate the dispenser unless it is properly grounded.

3 Do not use extension cords to connect the dispenser.

4 Do not operate the dispenser unless all panels are restrained with screws.

5 Do not obstruct air intake and discharge openings: 15 cm (6") minimum air space all around the dispenser.

6 Do not put objects or fingers in panels louvers and faucet outlet.

7 Do not remove bowls, augers and panels for cleaning or routine maintenance unless the dispenser is disconnected from its power source.



### ATTENTION

In case of damages, the power cord must be replaced by qualified personnel only in order to prevent any shock hazard.

8 This unit is not meant to be used outside.

- 9 This unit is not to be installed in areas subject to water-spouts..
- 10 Do not use water-jets to clean the unit.
- 11 This unit can work in a room temperature range between +5° and +32°C.
- 12 Do not pour food product inside the dispenser at a temperature higher than 40°C.

## 5 OPERATING PROCEDURES

- 1 Clean and sanitize the unit according to the instructions in this manual. See chapter 5.3 CLEANING AND SANITIZING PROCEDURES.
- 2 Fill the bowls with product to the maximum level mark. Do not overfill.  
The exact quantity of product (expressed as liters and gallons) is shown by marks on the bowl.
- 3 In case of products to be diluted with water, potable water, pour water into bowl first, then add correct quantity of product. In case of natural squashes, it is advisable to strain them, in order to prevent pulps from obstructing the faucet outlet.
- 4 Install the covers and check that they are correctly placed over the bowls.
- 5 Set the control switches as shown in chapter 5.1 DESCRIPTION OF CONTROLS.
- 6 The dispenser must always run with the covers installed to prevent a possible contamination of the product.
- 7 Always leave the dispenser on, as the refrigeration stops automatically when the beverage reaches the dispensing temperature. The mixing devices will continue to turn.
- 8 To maintain a high standard of flavour, keep refrigeration and mixing devices on during the night when beverage is in the bowl.



### IMPORTANT

Operate the dispenser with food products only.

- 9 On machine equipped with lighted top cover turn the cover for 180 degrees to switch light off. (see figure 1)

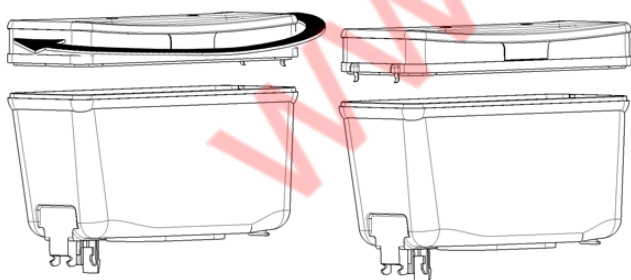


figure 1

### 5.1 DESCRIPTION OF CONTROLS

The dispenser is equipped with a power switch and each bowl is operated by a mixing device switch. Their functions are as follows:

#### Power switch

0 position    OFF ○ : Power is turned OFF to all functions.

I position    ON ■ : This position operates the fan motor and makes the mixing devices suitable to be turned on by relevant switches.

#### Mixing device switch

0 position    OFF ○ : OFF.

I position    : Mixing device runs.

#### To operate the dispenser

- 1 Set power switch to I position.
- 2 Set mixing device switch(es) to I position.

### 5.2 OPERATION HELPFUL HINTS

- 1 The length of time for cooling down the product is governed by many variables, such as ambient temperature and beverage initial temperature.
- 2 To shorten product cooling down time and increase productivity, it is advisable to pre-chill the product to be used in the dispenser.
- 3 To shorten product cooling down time and increase productivity, the bowl should be refilled after the product level drops lower than half and at the start of each day.
- 4 The dispenser must be able to emit heat.  
In case it seems excessive, check that no heating source is close to the unit and air flow through the slotted panels is not obstructed by wall or boxes. Allow at least 15 cm (6") of free clearance all around the dispenser.  
In any case if the product in the bowls is cold the unit is running properly.
- 5 How to reset beverage temperature: to reset beverage temperature please apply to a technician.  
The proper temperature is preset at the factory.

### 5.3 CLEANING AND SANITIZING PROCEDURES

Cleaning and sanitizing of the dispenser are recommended to guarantee the conservation of the best product taste and the highest unit efficiency. This section is a procedural guideline only and is subject to the requirements of the local Health Authorities.

Prior to the disassembly and cleaning, the machine must be emptied of product.

#### 5.3.1 DISASSEMBLY



### ATTENTION

Before any disassembly and/or cleaning procedure make sure that the dispenser is disconnected from its power source by unplugging it or switching off the 2-pole wall breaker.

- 1 Remove cover from the bowl.
- 2 Remove the empty bowl by lifting pulling lever (1) and its

# Arctic Deluxe 12-20 UL

front side (faucet side) up and off bowl gasket (see figure 2).

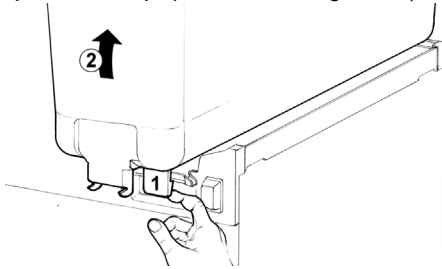


figure 2

- 3 Remove the bowl gasket.
- 4 Remove the pump impeller from its location.
- 5 **Pinch tube faucet:** push the dispensing handle (1) and take the pinch tube off from its seat (2) (see figure 3).

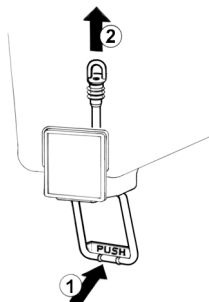


figure 3

- 6 **Gravity faucet:** extract the piston and then remove the dispensing handle (see figure 4).

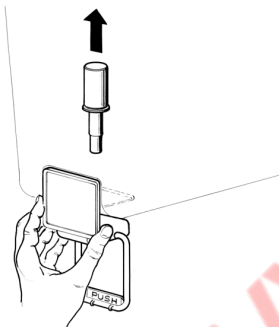


figure 4

- 7 Slide drip tray out and empty it.

## 5. 3. 2 CLEANING



### IMPORTANT

Do not attempt to wash any machine components in a dishwasher.



### ATTENTION

Before any disassembly and/or cleaning procedure make sure that the dispenser is disconnected from its power source.

- 1 Prepare at least two gallons of a mild cleaning solution of warm (45-60 °C 120-140 °F) potable water and dishwashing detergent. Do not use abrasive detergent. Important: if present, follow label directions, as a too strong solution can cause parts damage, while a too mild solution will

not provide adequate cleaning.



### IMPORTANT

In order to prevent any damages to the dispenser use only a detergent suitable with plastic parts.

- 2 Using a brush, suitable for the purpose, thoroughly clean all disassembled parts in the cleaning solution.



### ATTENTION

When cleaning the machine, do not allow excessive amounts of water around the electrically operated components of the unit. Electrical shock or damage to the machine may result.

- 3 Do not immerse the lighted top covers in liquid. Wash them apart with the cleaning solution. Carefully clean their undersides.
- 4 In the same manner clean the evaporator plates using a soft bristle brush.
- 5 Rinse all cleaned parts with cool clean water.

## 5. 3. 3 SANITIZING

Sanitizing should be performed immediately prior to starting the machine. Do not allow the unit to sit for extended periods of time after sanitization.

Sanitization must be performed whenever the distributor is put back into operation with a new product.

- 1 Wash hands with a suitable antibacterial soap.
- 2 Prepare at least two gallons of a warm (45-60 °C 120-140 °F) sanitizing solution (100 PPM available chlorine concentration or 1 spoon of sodium hypochlorite diluted with two litres of water) according to your local Health Codes and manufacturer's specifications.
- 3 Place the parts in the sanitizing solution for five minutes.
- 4 Do not immerse the lighted top covers in liquid. Carefully wash their undersides with the sanitizing solution.
- 5 Place the sanitized parts on a clean dry surface to air dry.
- 6 Wipe clean all exterior surfaces of the unit. Do not use abrasive cleaner.

## 5. 3. 4 ASSEMBLY

- 1 Slide the drip tray into place.
- 2 **Pinch tube faucet:** push the dispensing handle (1) and insert the pinch tube into its vertical seat in the bowl bottom(2). Lightly pull the pinch tube end downwards til it is well arranged (3) (see figure 5).

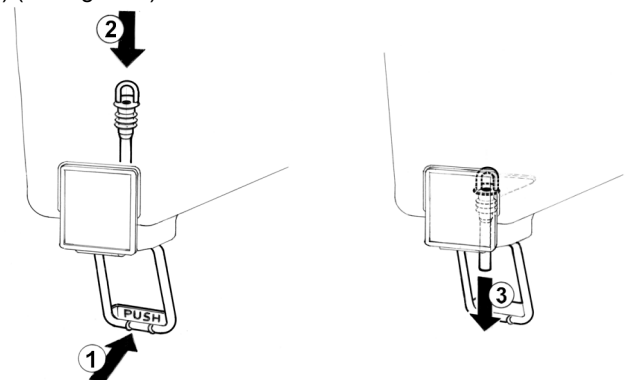


figure 5

- 3 **Gravity faucet:** install the faucet handle and the piston with

its gasket (see figure 6).

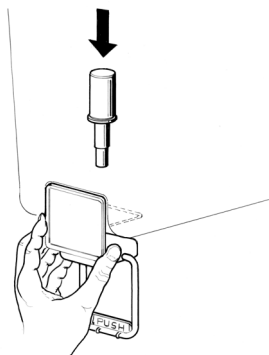


figure 6



### IMPORTANT

Insert the piston into its housing, taking care to accompany it to the end so as to prevent it from damaging the sharp edge around the hole. (see figure 7)

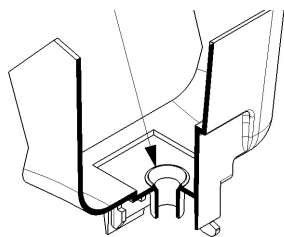


figure 7

4 Fit the bowl gasket to the evaporator. Note: the larger brim of the gasket must face against the drip plate (see figure 8).

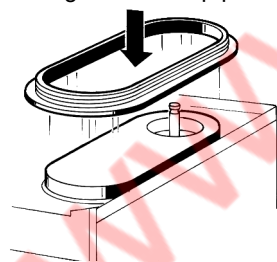


figure 8

5 Place bowl on the unit. Wet the gasket for ease of insertion. Please take care that the hook on the backside of the bowl be inserted properly in its seat on the upper drip plate. (see figure 9).

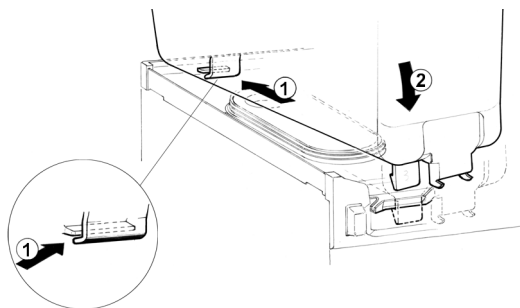


figure 9

6 Use fresh product to chase any remaining sanitizer from the bowl(s). Drain this solution. Do not rinse out the machine.

## 5. 4 IN-PLACE SANITIZATION

**Daily:** The In-Place Sanitization prior to starting the machine may be performed, if needed, only as further precaution, in addition to the Disassembled Parts Sanitization described before, but never in lieu of it.

1 Prepare two gallons of a warm (45-60°C, 120-140 °F) sanitizing solution (100 PPM available chlorine concentration or 1 spoon of sodium hypochlorite diluted with two litres of water) according to your local Health Codes and manufacturer's specifications.

2 Pour the solution into the bowl(s).

3 Using a brush suitable for the purpose, wipe the solution on all surfaces protruding above the solution-level and on the underside of the top cover(s).

4 Install the top cover(s) and operate the unit. Allow the solution to agitate for about two minutes. Drain the solution out of the bowl(s).

5 Use fresh product to chase any remaining sanitizer from the bowl(s). Drain this solution. Do not rinse out the machine.

## 6 ROUTINE MAINTENANCE

1 Replacement of lighted top cover bulbs (see figure 10) :

- Remove the fixing screws placed in the upper part of the top cover,
- remove the lower part and replace the bulbs (using a 24-28V 21W max bulbs).
- Reassemble the top cover and replace the fixing screws.

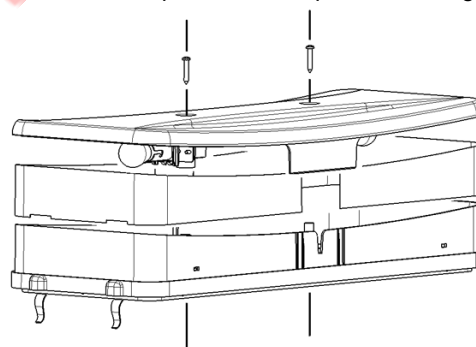


figure 10

2 **Daily:** inspect the machine for signs of product leaks past seals and gaskets. If proper assembly does not stop leaks around seals or gaskets, check for improper lubrication, worn or damaged parts. Replace parts as needed with original spare parts from the supplier.

### 6. 1 MAINTENANCE (TO BE CARRIED OUT BY QUALIFIED SERVICE PERSONNEL ONLY)

**Montly:** clean all internal components, primarily the condenser, using compressed air.

To clean these internal parts, unplug the unit or switch off the 2-pole wall breaker, then remove front panel (dispensing side).

Condenser fins are very sharp. Use extreme caution when cleaning.

## 1 CARACTERISTIQUES TECHNIQUES

			1/12	2/12	3/12	4/12
			1/20	2/20	3/20	4/20
Réservoirs transparents démontables	n		1	2	3	4
Capacité chaque réservoir, environ	l		12	12	12	12
			20	20	20	20
<b>Dimensions:</b>						
largeur	cm		18	36	54	72
profondeur	cm		48	48	48	48
hauteur	cm		57	57	57	57
	12 lt		71	71	71	71
	20 lt		71	71	71	71
Poids net, environ	kg		17	25	34	50
	12 lt		18	24	38	53
	20 lt		18	24	38	53
Poids brut, environ	kg		19	28	37	55
	12 lt		20	27	41	56
	20 lt		20	27	41	56
Thermostats réglables	n		1	2	3	4
Motocompresseur hermétique						
Condenseur à ventilation mécanique						
Protège-moteur						
Niveau de bruit inférieur à 70 dB (A)						



### IMPORTANT

**Caractéristiques électriques:** lire les données reportées sur la plaque de chacun des distributeurs; celle-ci est située dans la partie inférieure du panneau frontal, derrière le tiroir égouttoir de droite. Les numéros de matricule des appareils (précédés du symbole #) sont placés derrière le robinet de droit. Les données reportées sur la plaque sont toujours celles auxquelles il faut se référer.

Nous nous réservons le droit d'apporter des modifications sans préavis.

## 2 INTRODUCTION

Nous vous conseillons de lire attentivement ce carnet d'instructions afin de connaître toutes les caractéristiques du distributeur. Comme tous les produits mécaniques, ce distributeur a besoin d'être nettoyé et entretenu. Son bon fonctionnement peut être compromis par d'éventuelles erreurs commises par l'opérateur pendant les phases de démontage et de nettoyage. Il est donc important que les procédures de démontage, lavage, désinfection et remontage, qui sont des opérations quotidiennes, soient connues sans possibilité d'erreur par tout le personnel chargé du distributeur.

## 3 INSTALLATION

**1** Sortir le distributeur de son emballage et garder celui-ci pour toute nécessité future.



### IMPORTANT

**Pendant les opérations de transport ou de soulèvement, le distributeur ne doit jamais être saisi par les réservoirs transparents ou par les cylindres évaporateurs. Le fabricant ne répond pas des dommages provoqués par ce genre de manœuvre erronée.**

**2** Contrôler que le distributeur n'ait pas été endommagé pendant le transport. Si c'est le cas, faire immédiatement une réclamation au transporteur.

**3** Placer le distributeur sur un comptoir en mesure d'en supporter le poids, y compris à pleine charge, **en tenant compte de ce qui a été dit dans l'avertissement IMPORTANT du point 1 précédent.**

**4** Laisser un espace libre d'au moins 15 cm autour du distributeur pour ne pas empêcher le passage du flux d'air de refroidissement.

**5** Contrôler la stabilité de l'appareil en réglant éventuellement les pieds en hauteur.

**6** Robinet en inox à gravité. Monter le robinet en suivant les avertissements du paragraphe 5.3.4. REMONTAGE.

**7** Avant de brancher le distributeur à l'électricité, contrôler que la tension de réseau est la même que celle indiquée sur la plaque. Brancher le distributeur à un réseau monophasé, en utilisant une prise avec mise à la terre conformément aux normes en vigueur. Pour réaliser un branchement fixe au réseau, brancher le câble à un interrupteur mural de type bipolaire avec ouverture des contacts d'au moins 3 mm. Ne pas utiliser de rallonges pour brancher électriquement l'appareil.



### ATTENTION

**S'assurer que l'appareil soit correctement branché à la terre; en cas contraire, il y a des risques d'électrocution pour les personnes et d'endommagement pour le distributeur.**

**8** Quand le distributeur sort de l'usine, il n'est ni prélavé, ni désinfecté. Avant de l'utiliser, il faut le démonter, le laver et le désinfecter en suivant les instructions fournies dans ce carnet au chapitre 5.3 NETTOYAGE.

## 4 POUR UN FONCTIONNEMENT SANS DANGER

**1** Ne pas utiliser le distributeur avant d'avoir lu ce carnet d'instructions.

**2** Ne pas utiliser le distributeur s'il n'est pas branché correctement à la terre.

**3** Ne pas utiliser de rallonges pour brancher électriquement le distributeur.

**4** Ne pas mettre le distributeur en fonction si les panneaux ne sont pas à leur place et bloqués avec des vis.

**5** Ne pas faire obstacle au flux d'air de refroidissement; laisser un espace libre d'au moins 15 cm autour du distributeur.

**6** Ne pas introduire les doigts ou des objets dans les fissures des panneaux et dans l'ouverture du robinet.

**7** Ne pas démonter le réservoir, ni enlever les mélangeurs ou les panneaux pour le nettoyage ou l'entretien sans s'être assuré que le distributeur est débranché de l'électricité.



### ATTENTION

**Si le câble est endommagé, il doit être remplacé par le fabricant ou par son service technique ou de toute façon par du personnel qualifié pour éviter tout risque.**

**8** L'appareil n'est pas indiqué pour l'installation à l'extérieur.

**9** N'installez pas l'appareil en zones sujets à jets d'eau.

**10** Ne pas employer des jets d'eau pour le nettoyage de l'appareil.

**11** La température ambiante adaptée pour le bon fonctionnement de l'appareil est entre +5° et +32°C.

**12** Ne pas verser de produit alimentaire dans le distributeur à une température supérieure à 40°C.

## 5 MODE D'EMPLOI

**1** Laver et désinfecter le distributeur avant de l'utiliser en suivant les instructions fournies dans ce carnet au chapitre 5.3 NETTOYAGE.

**2** Remplir les réservoirs avec le produit choisi sans dépasser le niveau maximum indiqué sur les réservoirs. La quantité de produit dans le réservoir (exprimée en litres ou en gallons) est indiquée par les repères se trouvant sur le réservoir.

**3** Si l'on désire distribuer des produits concentrés à diluer avec de l'eau, il faut verser l'eau dans les réservoirs et ajouter la quantité nécessaire de concentré en suivant les instructions du fabricant. Si l'on veut utiliser des jus de fruits pressés, il est conseillé de les filtrer afin d'éviter que les parties solides qu'ils contiennent puissent boucher le passage du robinet.

**4** Monter les couvercles sur les réservoirs en s'assurant que ceux-ci sont positionnés correctement.

**5** Agir sur les interrupteurs (voir chapitre 5.1 DESCRIPTION DES COMMANDES).

**6** Le distributeur doit toujours fonctionner avec les couvercles montés afin d'éviter une éventuelle contamination du produit.

**7** Le distributeur doit fonctionner sans interruption: le groupe frigorifique s'arrête automatiquement quand le produit est prêt. Les dispositifs de mélange continuent à fonctionner.

**8** Pour garantir une bonne conservation de la boisson, le distributeur doit fonctionner également pendant la nuit.



### IMPORTANT

Utiliser l'appareil seulement avec des produits alimentaires.

**9** Tournez le couvercle de 180° pour l'éteindre. (voir figure 1)

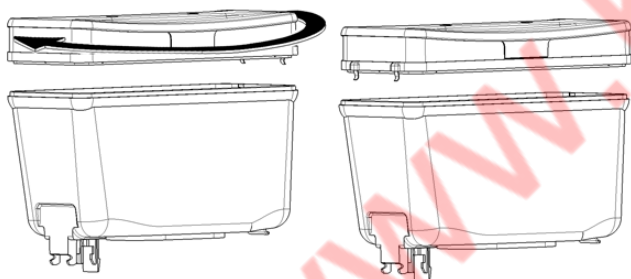


figure 1

### 5.1 DESCRIPTION DES COMMANDES

Le distributeur est équipé d'un interrupteur général et, pour chaque réservoir, d'un interrupteur pour le dispositif de mélange.

Leurs fonctions sont les suivantes:


#### Interrupteur général

Position 0 OFF ○ : Le distributeur est éteint.

Position I ON ■ : Le distributeur peut fonctionner. Ventilateur en marche.

#### Interrupteur de mélange

Position 0 OFF ○ : Le dispositif de mélange est arrêté.

Position I  : Le dispositif de mélange est en marche.

Pour le fonctionnement du distributeur:

- 1 Placer l'interrupteur général en position I.
- 2 Placer les interrupteurs de mélange en position I.

### 5.2 SUGGESTIONS

**1** Le temps nécessaire pour obtenir la réfrigération du produit varie en fonction de différents facteurs comme par exemple la température ambiante et la température initiale du produit.

**2** L'efficacité du distributeur peut être augmentée en versant dans les réservoirs du produit pré-raffroidi.

**3** Pour diminuer encore les temps de refroidissement et augmenter ainsi l'autonomie du distributeur, rajouter du produit dans les réservoirs quand le niveau est descendu à la moitié.

**4** Chaque distributeur de ce genre doit émettre de la chaleur. Cependant, si cette émission semble excessive, il faut contrôler qu'aucune source de chaleur ne se trouve près du distributeur et, en particulier, près des panneaux munis de grilles. S'assurer également que le passage du flux d'air ne soit pas empêché par la proximité de murs, boîtes ou autres. Laisser au moins 15 cm d'espace libre autour du distributeur. Dans tous les cas, quand le produit à l'intérieur des réservoirs est froid, on peut être certains que tout fonctionne normalement et que la chaleur émise ne crée pas de dommages.

**5** Réglage de la température: pour cette opération s'adresser à un technicien.

La température optimale de la boisson a été établie en usine.

### 5.3 NETTOYAGE

Le nettoyage et le lavage sont fondamentaux pour garantir la parfaite conservation du goût de la boisson et l'efficacité maximale de votre distributeur. Les procédures décrites ci-après doivent être considérées comme étant de caractère général et elles peuvent varier en fonction de la réglementation sanitaire en vigueur.

Avant d'être démonté pour le lavage, le distributeur doit être vidé du produit.

#### 5.3.1 DEMONTAGE



### ATTENTION

Avant toute intervention de démontage, débrancher toujours électriquement le distributeur en retirant la fiche de la prise ou en éteignant l'interrupteur externe mural.

- 1 Enlever le couvercle du réservoir.

# Arctic Deluxe 12-20 UL

2 Enlever le réservoir vide en le levant du côté antérieur et en le défilant de son joint (voir figure 2).

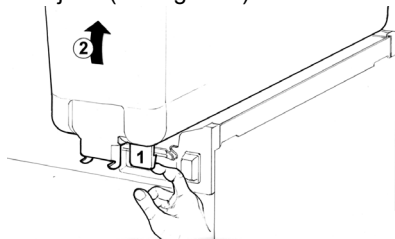


figure 2

3 Enlever le joint du réservoir.

4 Enlever la turbine de la pompe de son siège.

5 **Robinet avec tube en caoutchouc:** pousser (1) le levier de débit robinet et défiler (2) le tuyau robinet de son siège sur le fond du réservoir (voir figure 3).

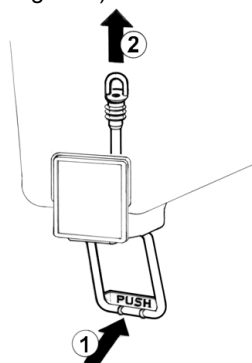


figure 3

6 **Robinet en inox à gravité:** défilier le piston et démonter le levier de débit robinet (voir figure 4).

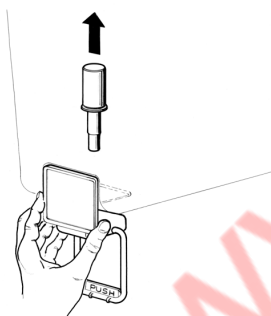


figure 4

7 Faire glisser le tiroir égouttoir et le vider.

## 5. 3. 2 LAVAGE



### IMPORTANT

Aucun composant de l'appareil ne peut être lavé dans la lave-vaisselle.



### ATTENTION

Avant toute intervention de nettoyage, débrancher toujours électriquement le distributeur en retirant la fiche de la prise ou en éteignant l'interrupteur externe mural.

1 Préparer une bassine d'environ huit litres d'eau chaude (45-60°C) et de détergent spécifique en respectant soigneusement

les indications fournies par le fabricant; une solution trop concentrée peut en effet endommager les pièces à laver tandis que trop diluée elle risque de ne pas les nettoyer suffisamment bien. Ne pas utiliser de détergents abrasifs.



### IMPORTANT

Afin d'éviter d'endommager le distributeur utiliser uniquement un détergent compatible avec les pièces en plastique.

2 Utiliser une brosse adéquate et laver soigneusement avec la solution détergente toutes les pièces qui sont en contact avec la boisson.



### ATTENTION

Pendant le lavage du distributeur, il ne faut pas utiliser une quantité excessive d'eau en proximité des composants électriques; cela pourrait en effet entraîner des risques d'électrocution et d'endommagement du distributeur.

3 Ne pas immerger dans la solution de lavage les couvercles avec éclairage mais les laver séparément. Faire attention au lavage de leur partie inférieure.

4 Rincer toutes les pièces lavées à l'eau courante.

## 5. 3. 3 DESINFECTATION DU DISTRIBUTEUR DEMONTE

La désinfection doit être exécutée immédiatement avant de mettre le distributeur en fonction. Il faut éviter que celui-ci ne fonctionne pas, pour une longue période après avoir été désinfecté.

La désinfection doit être effectuée chaque fois que le distributeur est remis en service avec un nouveau produit.

1 Avant de débuter les procédures décrites ci-après, se laver les mains avec un savon antibactérien.

2 Préparer dans une bassine environ huit litres de solution d'eau chaude (45-60°C) et de produit désinfectant, approuvé par les autorités de votre Pays, en respectant les indications du producteur. En l'absence d'un produit désinfectant spécifique, préparer une solution d'eau et d'hypochlorite de sodium (eau de javel) avec une proportion d'une cuillère tous les 2 litres d'eau.

3 Immerger toutes les pièces à désinfecter dans la solution pour la durée indiquée par le fabricant du produit.

4 Laisser sécher à l'air, sur une surface propre, les pièces désinfectées.

5 Essuyer les parties externes du distributeur sans utiliser de chiffons abrasifs.

## 5. 3. 4 REMONTAGE

1 Introduire le tiroir égouttoir à sa place.

2 **Robinet avec tube en caoutchouc:** Pousser (1) le levier de débit robinet et enfiler (2) le tuyau du robinet dans son siège

sur le fond du réservoir. Tirer (3) doucement le tuyau vers le bas jusqu'à le bien placer (voir figure 5).

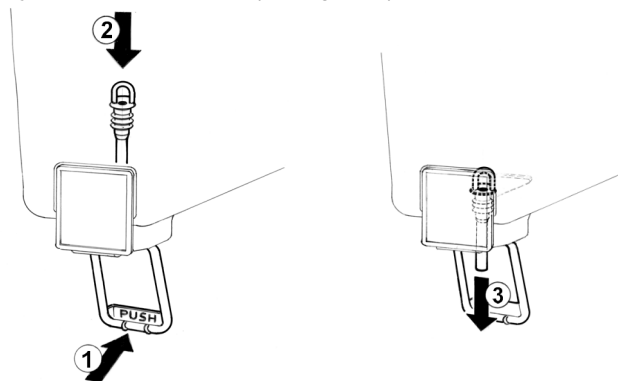


figure 5

**3 Robinet en inox à gravité:** monter le levier de débit robinet et enfiler le piston avec son joint (voir figure 6).

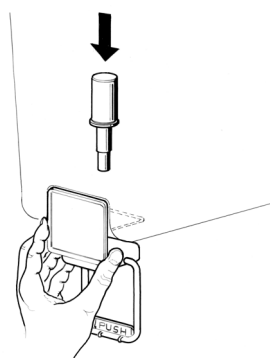


figure 6



**IMPORTANT**

Insérez le piston dans son logement en prenant soin de l'accompagner jusqu'au bout afin de ne pas endommager le tranchant autour du trou. (voir figure 7)

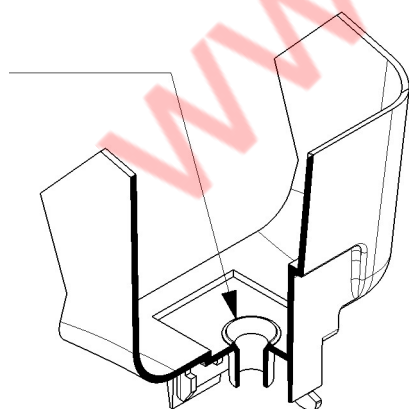


figure 7

**4** Replacer le joint du réservoir sur l'évaporateur, en laissant la couronne plus épaisse en contact avec le plan égouttoir (voir figure 8).

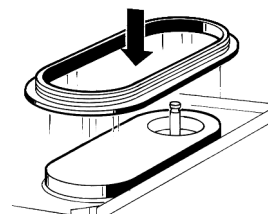


figure 8

**5** Placer le réservoir sur l'appareil. Pour faciliter cette opération, mouiller avec de l'eau le joint du réservoir. Veuillez contrôler que le crochet sur le côté postérieur de la cuve est bien placé dans son siège sur l'égouttoir supérieur. (voir figure 9).

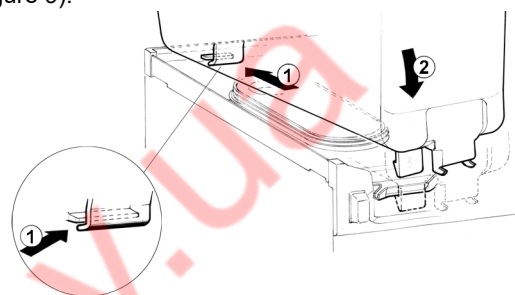


figure 9

**6** Rincer avec de l'eau fraîche de manière à éliminer tout résidu de solution désinfectante du fond des réservoirs. Essuyer l'intérieur des réservoirs avec une serviette en papier jetable.

**5. 4 DESINFECTION DU DISTRIBUTEUR MONTE**

**Quotidiennement:** La désinfection de l'appareil monté, avant sa mise en fonction, peut être exécutée, si nécessaire, uniquement comme précaution supplémentaire, en plus de la désinfection de l'appareil démonté décrite précédemment. Elle ne peut jamais la remplacer.

**1** Préparer dans une bassine une solution d'eau et de produit désinfectant, approuvé par les autorités de votre Pays, en respectant les indications du producteur. En l'absence d'un produit désinfectant spécifique, préparer une solution d'eau et d'hypochlorite de sodium (eau de javel) avec une proportion d'une cuillère tous les 2 litres d'eau.

**2** Verser la solution dans les réservoirs.

**3** A l'aide d'une brosse adéquate, frotter la solution sur toutes les parties au-dessus du niveau de la solution et sur la partie inférieure du couvercle.

**4** Installer le couvercle et faire fonctionner le distributeur de manière à permettre à la solution d'être agitée pendant environ 2 minutes.

**5** Vider la solution désinfectante des réservoirs par les robinets.

**6** Rincer avec de l'eau fraîche de manière à éliminer tout résidu de solution désinfectante du fond des réservoirs. Essuyer l'intérieur des réservoirs avec une serviette en papier jetable.

**7** Ne pas procéder à d'autres opérations de rinçage.

**6 ENTRETIEN**

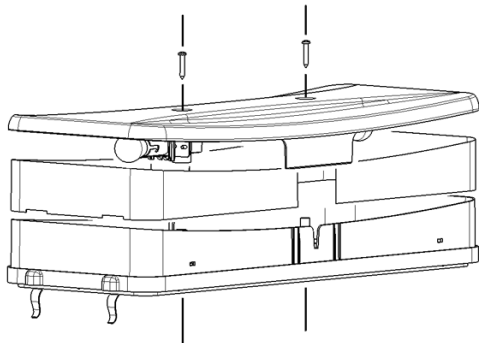
**1** Substitution des ampoules du couvercle lumineux (voir figure 10) :

- Enlever les vis placées dans la partie supérieure du couvercle,
- Sortir la partie inférieure et remplacer les ampoules (utiliser

# Arctic Deluxe 12-20 UL

ampoules de 24-28V 21W max).

- Remonter le couvercle et le fermer avec les vis.



**figure 10**

**2 Quotidiennement:** contrôler le distributeur et vérifier qu'il n'y a pas de fuites de produit au niveau des joints. En cas de fuites, contrôler avant tout que le distributeur est monté correctement, puis vérifier que les joints n'ont pas besoin d'être lubrifiés et enfin qu'ils ne sont pas défectueux ou usés. Si c'est le cas, les remplacer par des pièces de rechange originales du fabricant.

## **6. 1 ENTRETIEN (A EFFECTUER UNIQUEMENT PAR LE SERVICE D'ASSISTANCE)**

**Mensuellement:** éliminer la poussière qui s'accumule sur le filtre du condenseur. Avant de procéder à cette opération, débrancher électriquement le distributeur en enlevant la fiche de la prise ou en éteignant l'interrupteur mural. Démontez les panneaux.

Faire attention aux ailettes du condenseur car elles sont affilées.

## 1 CARACTERÍSTICAS TÉCNICAS

			1/12 1/20	2/12 2/20	3/12 3/20	4/12 4/20
Contenedores transparentes desmontables	n		1	2	3	4
Capacidad de cada contenedor, aproximada	l		12 20	12 20	12 20	12 20
<b>Dimensiones:</b>						
ancho	cm		18	36	54	72
largo	cm		48	48	48	48
alto	cm		57	57	57	57
	12 lt		71	71	71	71
	20 lt		71	71	71	71
Peso neto, aproximado	kg		17	25	34	50
	12 lt		18	24	38	53
	20 lt		19	28	37	55
Peso bruto, aproximado	kg		20	27	41	56
Termostatos regulables	n		1	2	3	4
Motocompresor hermético						
Condensador a ventilación forzada						
Guardamotor						
Nivel de ruido inferior a 70dB (A)						



### IMPORTANTE

**Características eléctricas:** leer los datos detallados en la placa del distribuidor; ésta se encuentra en la parte inferior del panel frontal, detrás del cajón recoge-gotas de la derecha. Los números de matrícula de los aparatos (precedidos por el símbolo#) están colocados dentro del alojamiento portainterruptores de izquierda. Los datos detallados sobre la placa son aquellos a los que se debe siempre hacer referencia.

Se reserva el derecho de efectuar modificaciones sin previo aviso.

## 2 INTRODUCCION

Les aconsejamos que lean atentamente este manual de instrucciones para conocer todas las características del distribuidor.

También este distribuidor, como todos los productos mecánicos, necesita de limpieza y cuidado. Se corre el riesgo de impedir su buen funcionamiento si se verificasen errores cometidos por el usuario durante la fase de desmontaje y limpieza. Por dicho motivo es importante que los procedimientos de desmontaje, lavado, higienización y limpieza, siendo operaciones cotidianas, sean conocidas sin posibilidad de error por todo el personal responsable del distribuidor.

## 3 INSTALACION

**1** Quitar el distribuidor del embalaje: guardar este último por si hubiera cualquier eventualidad.



### IMPORTANTE

En la operación de transporte o levantamiento no se debe coger nunca el distribuidor por sus contenedores transparentes o por los cilindros evaporadores. El fabricante no responde de los daños acarreados por estas maniobras equivocadas.

**2** Controlar que el distribuidor no haya sufrido daños durante el transporte. De haberlos sufrido, reclamar inmediatamente al transportista.

**3** Colocar el distribuidor en un mostrador en grado de sostener su peso incluso con la carga completa, **teniendo en cuenta cuanto indicado en IMPORTANTE, del punto 1.**

**4** Dejar un espacio libre de por lo menos 15 cm alrededor del aparato para no impedir el flujo de aire de refrigeración.

**5** Controlar la estabilidad del aparato, regulando la altura de los pies.

**6** Grifo en acero inox por gravedad. Montar el grifo, teniendo en cuenta cuanto indicado en 5.3.4. REMONTAJE.

**7** Antes de enchufar el aparato con la toma de corriente controlar que la tensión de la red sea aquella indicada en la placa. Enchufar el distribuidor a una red monofásica, sirviéndose de una toma completa de tierra, según lo previsto por la normativa vigente. En el supuesto de realizar una conexión fija a la red, conectar el cable a un interruptor de pared de tipo bipolar con apertura de contactos de 3 mm por lo menos. No utilizar cordones conectores para enchufar el aparato al suministro de corriente eléctrica.



### ATTENCION

Cerciorarse que el aparato esté correctamente conectado a tierra; en caso contrario es posible causar shock eléctricos a las personas o dañar el distribuidor.

**8** El distribuidor no sale de fábrica prelavado e higienizado. Antes de utilizarlo debe ser desarmado, lavado e higienizado siguiendo cuanto dicho en las presentes instrucciones del capítulo 5.3 LIMPIEZA.

## 4 PARA UN FUNCIONAMIENTO SEGURO

**1** No utilizar el distribuidor antes de haber leído el presente manual de instrucciones.

**2** No utilizar el distribuidor si no está correctamente conectado a tierra.

**3** No utilizar cordones conectores para enchufar el distribuidor al suministro de corriente.

**4** No poner en funcionamiento el distribuidor si los paneles no se encuentran en su lugar y fijados con los tornillos.

**5** No impedir el flujo de aire de refrigeración, dejar un espacio libre de por lo menos 15 cm alrededor del distribuidor.

**6** No introducir los dedos u objetos en las ranuras de los paneles y en la apertura del grifo.

**7** No desmontar el contenedor, no quitar los mezcladores o paneles para limpieza o manutención sin cerciorarse que el distribuidor esté desenchufado del suministro de corriente.



### ATTENCION

Si el cable de alimentación está dañado, debe ser substituido por el fabricante o desde su servicio de asistencia técnica o, en cualquier caso, por una persona cualificada con el fin de evitar cualquier tipo de riesgo.

**8** Aparato no apto para uso exterior.

**9** Aparato no apto en instalaciones donde haya cercano fuentes de agua .

**10** Para la limpieza no utilizar chorros de agua.

# Arctic Deluxe 12-20 UL

**11** Para el correcto funcionamiento, como la temperatura ambiente debe estar comprendida ientre 5°C y 32°C.

**12** No vierta productos alimenticios dentro del dispensador a una temperatura superior a 40°C.

## 5 INSTRUCCIONES DE EMPLEO

**1** Lavar e higienizar el distribuidor antes de utilizarlo siguiendo cuanto se ha dicho en las presentes instrucciones en el capítulo 5.3 LIMPIEZA.

**2** Llenar los contenedores con el producto deseado hasta que alcance el nivel máximo indicado (no superar dicho nivel). La cantidad de producto presente en el contenedor (en litros o en galones) está indicada con señales específicas situadas en el contenedor mismo.

**3** Si se quiere distribuir productos concentrados a diluirse con agua, verter en los contenedores el agua agregando a continuación la cantidad necesaria de producto concentrado, según las instrucciones del fabricante. Si se quieren emplear zumos naturales se recomienda filtrarlos para evitar que las partes sólidas puedan obstruir el pasaje del grifo.

**4** Montar las tapas sobre los contenedores cerciorándose que queden bien colocadas.

**5** Accionar los interruptores (ver capítulo 5.1 DESCRIPCIÓN DE LOS MANDOS).

**6** El distribuidor debe funcionar siempre con las tapas montadas para prevenir una posible contaminación del producto.

**7** El distribuidor debe funcionar ininterrumpidamente: el grupo frigorífico se parará automáticamente cuando el producto esté listo para ser distribuido. Los dispositivos mezcladores seguirán funcionando.

**8** Para la buena conservación del producto, el distribuidor deberá funcionar también durante la noche.



### IMPORTANTE

Utilizar el distribuidor solamente con productos alimenticios.

**9** Para apagar las luces de la tapa es suficiente girarlo de 180°. (ver figura 1)

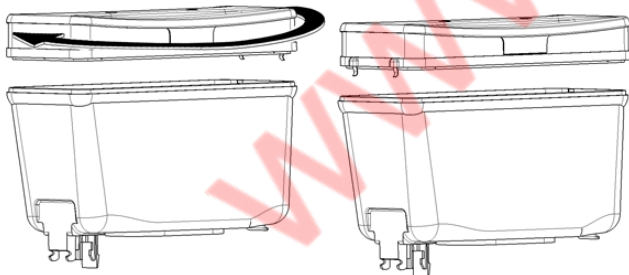


figura 1

## 5.1 DESCRIPCIÓN DE LOS MANDOS

El distribuidor está provisto de un interruptor general y, para cada contenedor, de un interruptor para el mando del dispositivo de agitación.

A continuación describimos la variedad de las funciones de los interruptores:

### Interruptor general

Posición 0 OFF ○ : el distribuidor está apagado.

Posición I ON ■ : el distribuidor está habilitado para el funcionamiento. Ventilador en función.

### Interruptor agitación

Posición 0 OFF ○ : dispositivo de agitación parado.

Posición I  : dispositivo de agitación en función.

Para el funcionamiento del distribuidor:

- 1 Colocar el interruptor general en posición I.
- 2 Colocar el interruptor agitación en posición I.

## 5.2 SUGERENCIAS

**1** El tiempo necesario para obtener la refrigeración del producto varía en función de distintos factores como por ejemplo la temperatura ambiente y la temperatura inicial del producto.

**2** Llenando los contenedores con producto ya enfriado previamente se incrementa la eficiencia del distribuidor.

**3** Para disminuir ulteriormente los tiempos de restablecimiento y, por lo tanto, aumentar la autonomía del distribuidor, volver a llenar cuando el nivel del producto desciende a mitad evaporador.

**4** Todos los distribuidores de este tipo deben despedir calor. Si el calor producido fuera excesivo, controlar que ninguna fuente de calor se encuentre cerca del distribuidor y, en modo particular, cerca de las rejillas de los paneles. Cerciorarse además, que el flujo de aire no esté obstaculizado por paredes cercanas, cajas u otras cosas. Dejar por lo menos 15 cm de espacio libre alrededor del distribuidor. En todo caso cuando el producto dentro de los contenedores está frío, es señal de que todo funciona bien y que el calor producido no es alarmante.

**5** Regulación de la temperatura: para este tipo de operación, dirigirse exclusivamente al técnico. La temperatura ideal de las bebidas ha sido establecida y regulada en la fábrica.

## 5.3 LIMPIEZA

La limpieza y el lavado son fundamentales para garantizar la perfecta conservación del gusto de la bebida y la máxima eficiencia de vuestro distribuidor. Los procedimientos descritos a continuación deben ser considerados de carácter general y pueden variar por efecto de la reglamentación de higiene vigente.

Antes del desarmado para el lavado del distribuidor debe quitarse todo el producto.

### 5.3.1 DESMONTAJE



### ATTENCION

Antes de proceder con el desmontaje de cualquier componente, desenchufar de la toma de corriente eléctrica el enchufe del aparato o bien apagar el interruptor externo de pared.

- 1 Quitar la tapa del contenedor.

**2** Quitar el contenedor vacío levantándolo por la parte anterior y desprendiéndolo de la junta (ver figura 2).

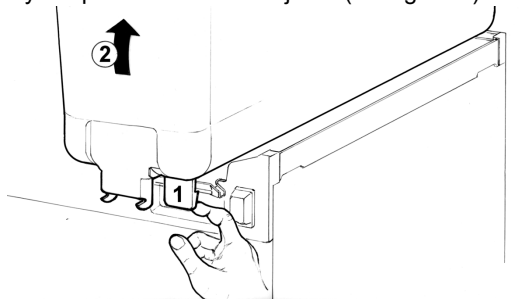


figura 2

- 3** Quitar la junta del contenedor.  
**4** Sacar la turbina pompa.  
**5 Grifo con tubo de goma:** empujar la palanca mando grifo (1) y sacar (2) el tubo goma de salida desde su situación vertical en el fondo del contenedor (ver figura 3).

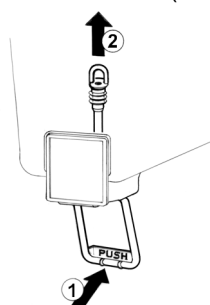


figura 3

**6 Grifo en acero inox por gravedad:** Sacar el pisón y desmontar la palanca mando grifo (ver figura 4).

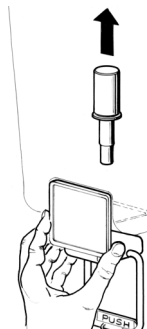


figura 4

**7** Sacar el cajón recoge-gotas y vaciarlo.

### 5. 3. 2 LAVADO



#### IMPORTANTE

No lavar ningún componente de la maquina en lavavajillas.



#### ATTENCION

Antes de efectuar cualquier tipo de limpieza, **desenchufar de la toma de corriente eléctrica el enchufe del aparato o bien apagar el interruptor externo de pared.**

**1** Poner en una palangana aproximadamente ocho litros de agua caliente (45°-60°C) y detergente apropiado respetando

con atención las instrucciones del fabricante; una solución demasiado concentrada de detergente puede provocar daños en las partes a lavar, en vez una solución demasiado diluida puede no limpiar bastante. No utilizar detergentes abrasivos.



#### IMPORTANTE

Para prevenir daños al distribuidor utilizar solamente un detergente compatible con las partes de plástico.

**2** Emplear un cepillo apropiado y lavar minuciosamente con la solución detergente todas las partes en contacto con la bebida.



#### ATTENCION

Durante el lavado del distribuidor **no usar mucha cantidad de agua cerca de los componentes eléctricos; en caso contrario es posible que se verifiquen shock eléctricos o también se dañe el distribuidor.**

**3** Enjuagar todas las partes con agua corriente

### 5. 3. 3 HIGIENIZACION DEL DISTRIBUIDOR DESMONTADO

La higienización debe efectuarse inmediatamente antes de poner en función el distribuidor; evitar que este permanezca inactivo por mucho tiempo después de haber sido higienizado.

La desinfección debe realizarse cada vez que el distribuidor vuelva a funcionar con un nuevo producto.

**1** Antes de empezar los procedimientos descritos a continuación, lavarse las manos con un jabón antibacterico.

**2** Poner en una palangana aproximadamente ocho litros de solución de agua caliente (45-60°C) con un producto para higienizar aprobado por las autoridades de vuestro país respetando las especificaciones del fabricante. Si se carece de un producto para higienizar específico, preparar una solución de agua e hipoclorito de sodio (lejía uso alimenticio) en la proporción de 1 cucharadita por cada 2 litros de agua.

**3** Colocar en la solución todas las partes a higienizar dejándolas el tiempo que ha sido indicado por el fabricante del producto (5 min. circa).

**4** Dejar secar las partes higienizadas, sobre una superficie limpia al aire libre.

**5** Secar las partes externas del distribuidor sin usar paños abrasivos.

### 5. 3. 4 REMONTAJE

**1** Colocar el cajón recoge-gotas en su alojamiento.

**2 Grifo con tubo de goma:** empujar la palanca mando grifo (1) e insertar el tubo de goma de salida en su situación vertical en el fondo del contenedor (2). Tirar (3) ligeramente hacia

# Arctic Deluxe 12-20 UL

abajo la extremidad del tubo de goma hasta ajustarlo completamente (ver figura 5).

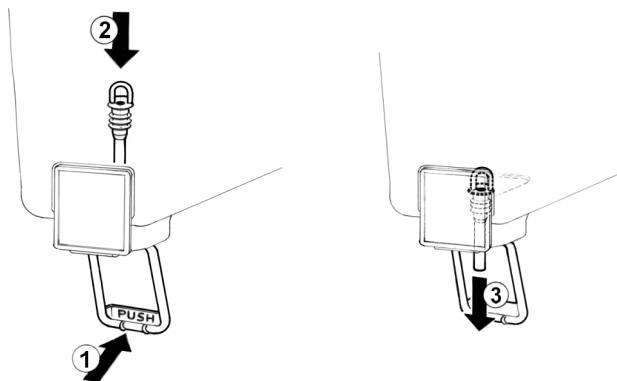


figura 5

**3 Grifo en acero inoxidable por gravedad:** montar la palanca mando grifo y enfilear el pistón unido a la su junta (ver figura 6).

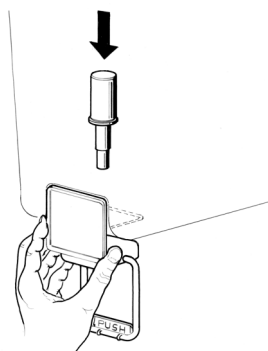


figura 6



## IMPORTANTE

Inserte el pistón en su alojamiento, teniendo cuidado de acompañarlo hasta el final para evitar que dañe el borde afilado alrededor del orificio. (ver figura 7)

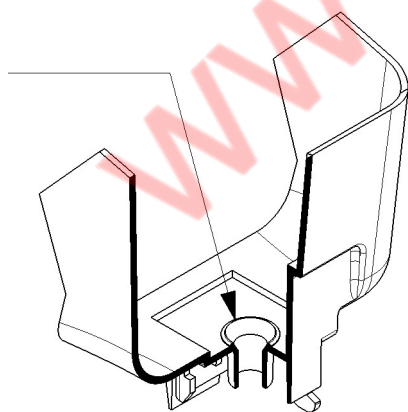


figura 7

**4** Poner la junta al evaporador, de modo que el borde de mayor ancho se quede en contacto con el plano recoge-gotas (ver figura 8).

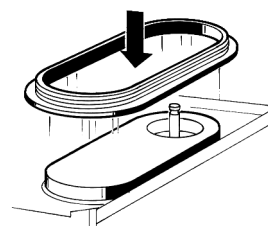


figura 8

**5** Poner el contenedor sobre el distribuidor. Por facilitar esta operación, mojar la junta con un poco de agua. Asegurarse que el gancho posterior del contenedor esté insertado en el lugar correcto del plano recoge-gotas. (ver figura 9)

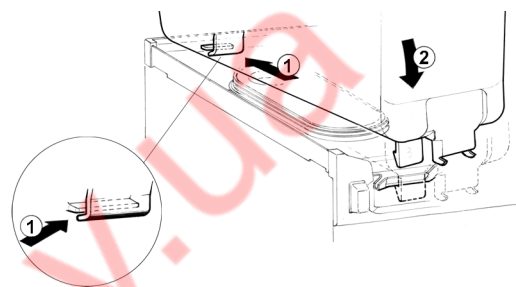


figura 9

**6** Enjuagar con bebida fresca para eliminar todo residuo posible de solución para higienizar del fondo de los contenedores. Secar la parte interior de los contenedores con una servilleta de papel desechable.

## 5. 4 HIGIENIZACION DEL DISTRIBUIDOR MONTADO

**Cada día:** La higienización del aparato montado, antes de ser puesto en funcionamiento, puede ser efectuada, si es necesario, solamente como una ulterior prevención adicional a la higienización del aparato desmontado descrito anteriormente, pero no debe sustituir jamás a la efectuada con el aparato desmontado.

**1** Poner en una palangana una solución de agua o producto para higienizar aprobado por las autoridades de vuestro país, respetando las especificaciones del fabricante. Si se carece de un producto para higienizar específico, preparar una solución de agua e hipoclorito de sodio (lejía uso alimenticio) en la proporción de 1 cucharadita por cada 2 litros de agua.

**2** Verter la solución en los contenedores.

**3** Usando un cepillo apropiado fregar con la solución todas las partes sobre el nivel de la solución y sobre la parte inferior de la tapa.

**4** Colocar la tapa y poner en función el distribuidor de modo que permita a la solución agitarse 2 minutos.

**5** Vaciar los contenedores de la solución para higienizar por medio de los grifos.

**6** Enjuagar con bebida fresca para eliminar del fondo de los contenedores todo residuo posible de solución para higienizar. Secar la parte interior de los contenedores con una servilleta de papel desechable.

**7** No efectuar más operaciones de enjuague.

## 6 MANUTENCION

**1** Substitución de las lámparas de la tapa luminosa (ver figura 10):

- Quitar los tornillos colocados en la parte superior de la tapa,
- Extraer la parte inferior y substituir las lámparas (utilizar

lámparas de 24-28 V 21W max).

- Volver a montar la tapa y cerrarla con sus tornillos.

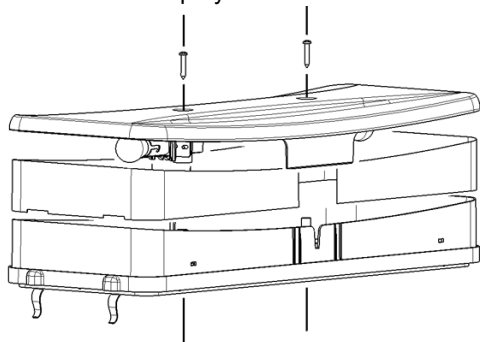


figura 10

**2 Cada día:** controlar el distribuidor y que no se verifiquen pérdidas de producto de las juntas. Si se notasen pérdidas, controlar , antes de todo, que el distribuidor esté montado correctamente, luego que las juntas no necesiten lubricación y, por último, que dichas juntas no sean defectuosas o estén gastadas, si es así reemplazarlas con recambios originales del fabricante.

### **6. 1 MANUTENCION (SOLAMENTE POR EL SERVICIO POSTVENTA)**

**Cada mes:** eliminar el polvo que se acumula sobre el filtro del condensador. Antes de efectuar dicha operación desenchufar el distribuidor de la toma de corriente o bien apagar el interruptor de pared, a continuación desmontar el panel. Prestar atención a las aletas del condensador porque tienen filo.





**ugolini®**

www.ugolini-v.ua

02408-00029  
V3.2 21M13