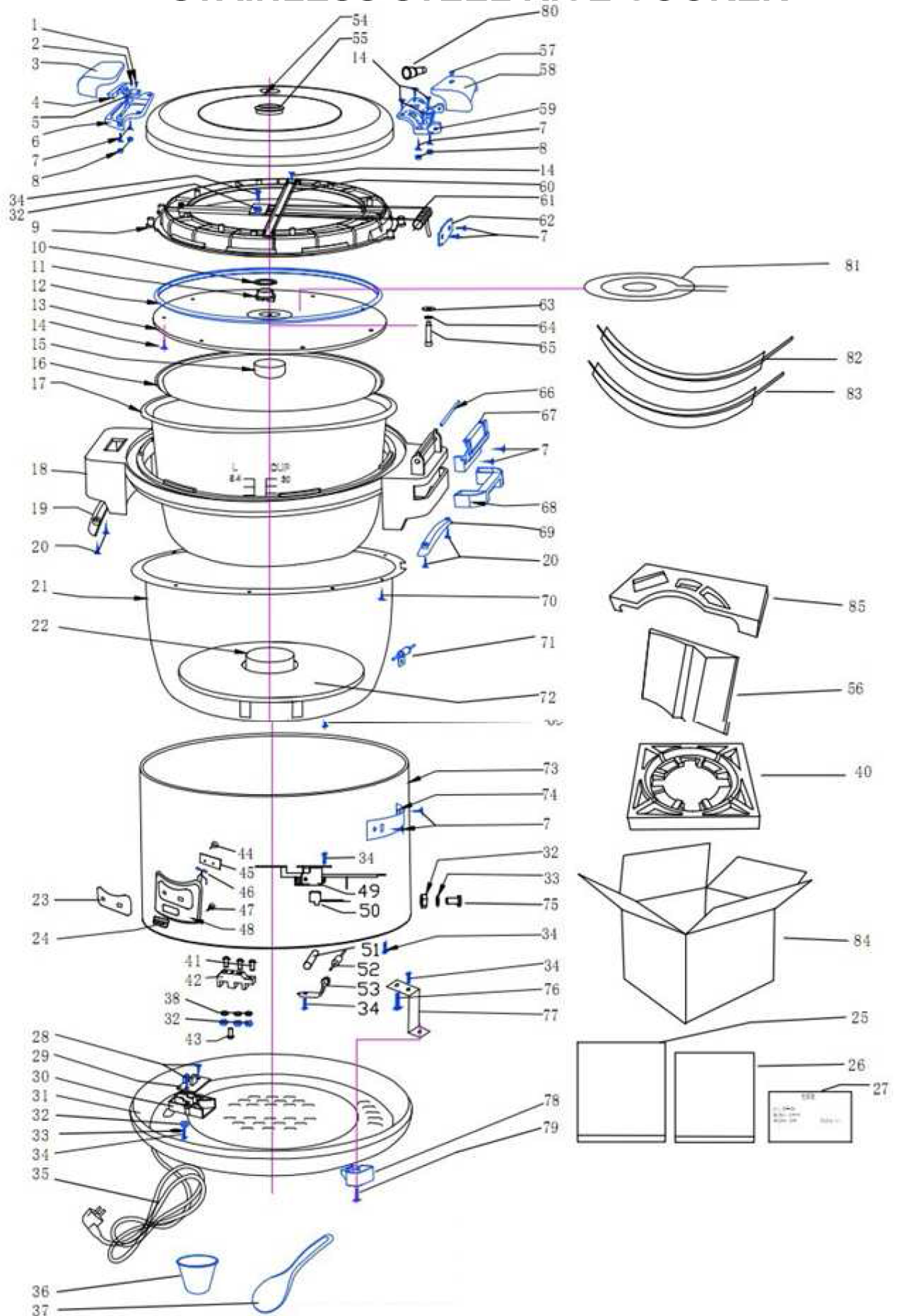


STAINLESS STEEL RICE COOKER



STAINLESS STEEL RICE COOKER

| Part No. of Diagram | NO. | Description | Quantity (PCS) |
|---------------------------|-------------|--------------------------------------|-------------------|
| 1~6 / 57~59 /80 | Z-HJF8-001 | OPEN THE COMBINATION | 1 |
| 12 | Z-HJF8-002 | THE SILICONE RING | 1 |
| 13 | Z-HJF8-003 | ALUMINUM COVER | 1 |
| 15 | Z-HJF8-004 | PRESSURE CAP SILICONE RING | 1 |
| 16 | Z-HJF8-005 | ALUMINIUM COVER | 1 |
| 68 | Z-HJF8-006 | WATER COLLECTION BOX | 1 |
| 22 | Z-HJF8-007 | THE CENTRAL MAGNETIC CONTROL | 1 |
| 71 | Z-HJF8-008 | TRS | 1 |
| 34.49.50 | Z-HJF8-009 | SWITCH COMPONENTS | 1 |
| 51.52.53 | Z-HJF8-010 | THE FUSE COMBINATION | 1 |
| 23 | Z-HJF8-011 | SIGN POSTED | 100 |
| 48 | Z-HJF8-012 | PLASTIC SWITCH COMBINATION | 1 |
| 45 | Z-HJF8-013 | LIGHT LINE COMPONENTS | 1 |
| 81~83 | Z-HJF8-014 | ATTEMPERATOR | 3 |
| 29 | Z-HJF8-015 | THE POWER CORD PRESSURE BOX | 1 |
| 35 | Z-HJF8-016 | THE POWER CORD | 1 |
| 36 | Z-HJF8-017 | MEASURING CUP (SMALL) | 1 |
| 37 | Z-HJF8-018 | MEAL SPOON (SMALL) | 1 |
| 42 | Z-HJF8-019 | BRICK OF POTTERY AND PORCELAIN | 1 |
| 78 | Z-HJF8-020 | ELECTRIC RICE COOKER FEET | 5 |
| 17 | Z-HJF8-021A | ALUMINUM POT (HJF-8195) | 1 |
| 72 | Z-HJF8-022A | HEATING ELEMENT (HJF-8195) | 1 |
| 21 | Z-HJF8-023A | MIDDLE-LEVEL (HJF-8195) | 1 |
| 18 | Z-HJF8-024 | MIDDLE PLASTIC RING | 1 |
| 9 | Z-HJF8-025 | TOP PLASTIC INNER | 1 |
| 73 | Z-HJF8-026A | STAINLESS STEEL ENCLOSURE (HJF-8195) | 1 |
| 31 | Z-HJF8-027 | BOTTOM COVER | 1 |
| 7 | Z-HJF8-028 | SCREW | 100 |