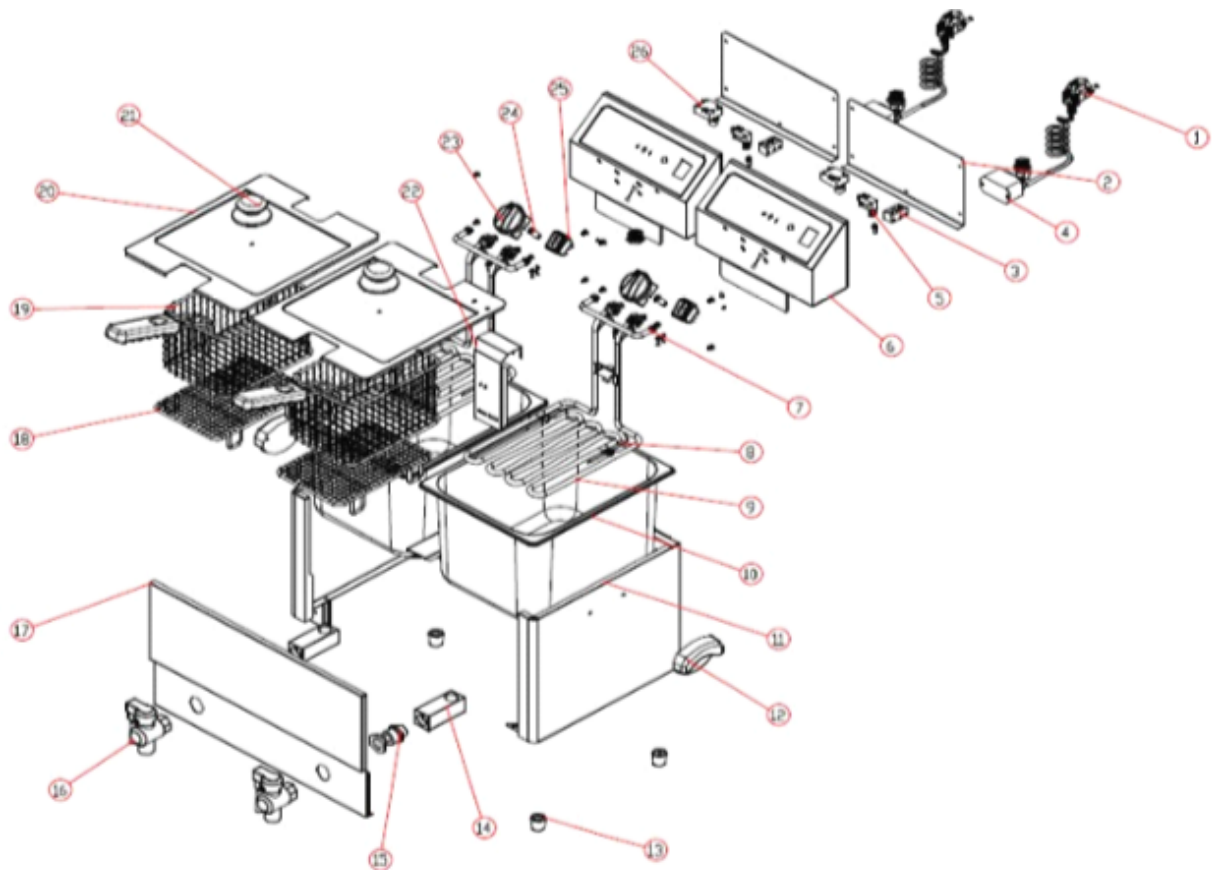


EFH SERIES



- 1.Power line**
- 2.cover of electric box**
- 3.connector**
- 4.relay**
- 5.Contact switch**
- 6.electric box**
- 7.hanging**
- 8.temperature probe**
- 9.heating tube**
- 10.oil pot**
- 11.frame**
- 12.handle of frame**
- 13.feet**

- 14.square tube**
- 15.connector lug**
- 16.oil tap**
- 17.face plate**
- 18. layer of frying basket**
- 19. frying basket of oil pot**
- 20.cover**
- 21.handle of cover**
- 22.protect board**
- 23.thermosistor**
- 24.indicator light**
- 25.mains switch**
- 26. temperature limiter**